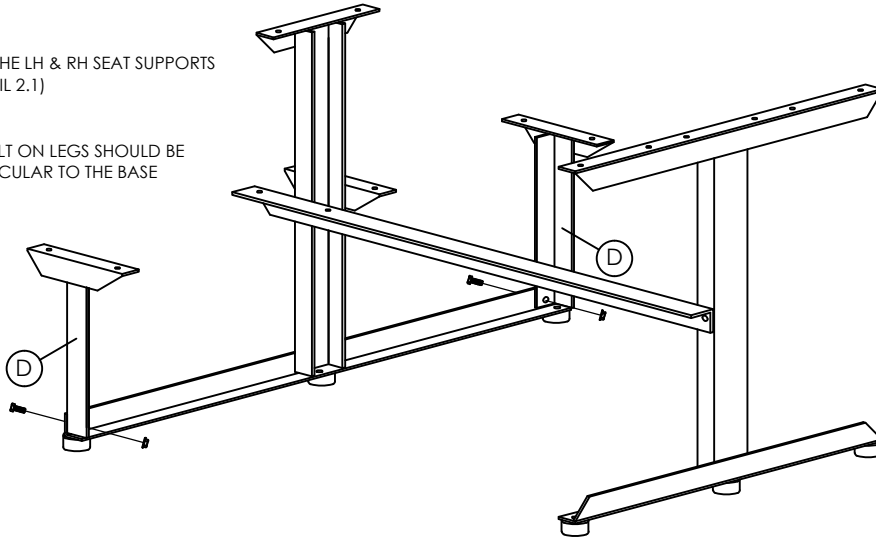


# 2

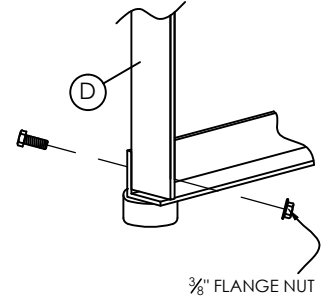
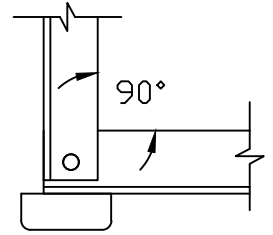
## ATTACH LH & RH BOLT ON SEAT LEGS

ATTACH THE LH & RH SEAT SUPPORTS (SEE DETAIL 2.1)

NOTE: BOLT ON LEGS SHOULD BE PERPENDICULAR TO THE BASE ANGLE.



### 2.1 LEG ATTACHMENT DETAIL



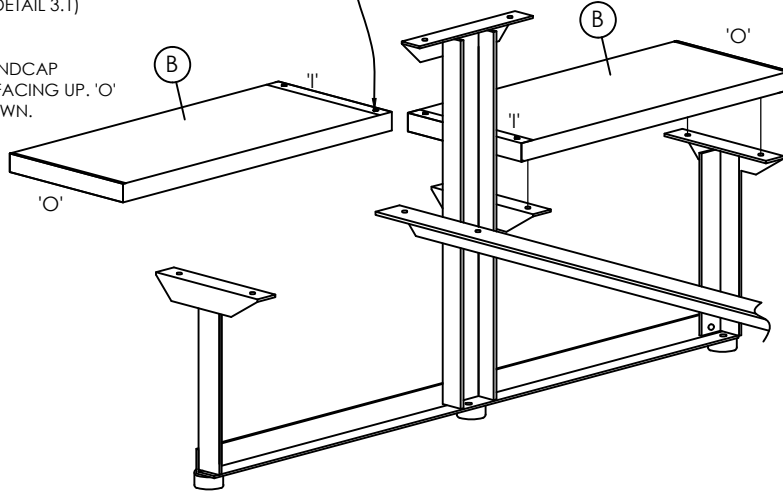
# 3

## ATTACH SEAT PLANKS

ATTACH SEAT PLANKS TO BENCH (SEE DETAIL 3.1)

TEK SCREW FACES UP

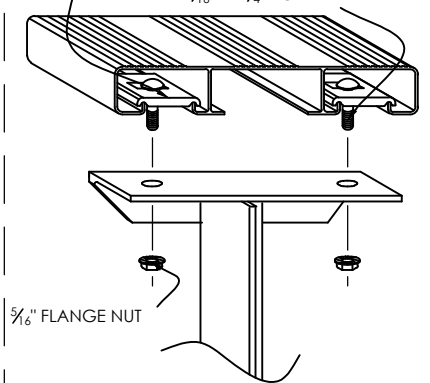
'I' DENOTES ENDCAP HARDWARE FACING UP. 'O' DENOTES DOWN.



### 3.1 LEG ATTACHMENT DETAIL

BOLT CLIP

5/16" X 1 1/4" BOLT

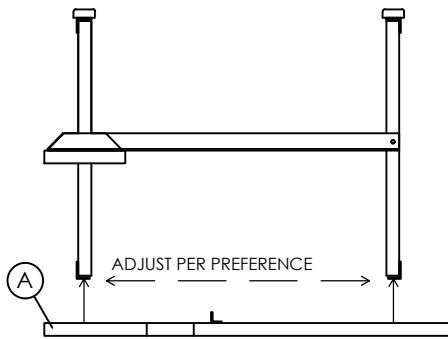


HINT: PRE-PLACE THE CARRIAGE BOLT INTO THE BOLT CLIP & TILT IT INTO PLACE WITH THE PLANK SITTING ON THE SEAT ANGLES

# 4

## ATTACH TABLE TOP ASSEMBLY

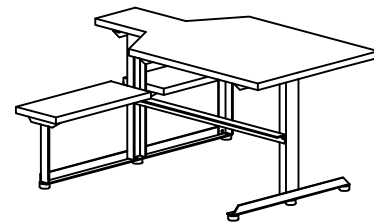
LAY TABLE TOP ON GROUND AND POSITION FRAME ASSEMBLY UPSIDE DOWN. TOP PLANKS WILL ATTACH SAME AS STEP 3. TABLE ASSEMBLY CAN BE ADJUSTED FRONT TO BACK BEFORE TIGHTENING HARDWARE. ADJUST FOR PERSONAL PREFERENCE.



# 5

## ENJOY YOUR UNIVERSAL MARKSMAN BENCH™

CLEAN WITH A MILD, NON-ABRASIVE SOAP AND SPONGE OR SOFT BRUSH AND RINSE. CHECK HARDWARE ANNUALLY.



## TERMS & WARRANTY

AMERICAN ALUMINUM SEATING, INC. GUARANTIES THE MATERIAL, WORKMANSHIP & MISCELLANEOUS COMMODITIES USED IN ITS PRODUCTS TO BE FREE OF DEFECTS FOR A PERIOD OF (1) YEAR AND BEGINS AT THE TIME OF PURCHASE. THIS WARRANTY WILL BE NULL & VOID AS A RESULT OF MISUSE OR ABUSE, PRODUCT ALTERATIONS, CHANGES, OR DAMAGES.

ALL WARRANTY CLAIMS MUST BE PROCESSED DIRECTLY THROUGH AMERICAN ALUMINUM SEATING, INC. TO VERIFY THE CLAIM AS ACCEPTABLE AND COVERED BY THIS WARRANTY. THIS WARRANTY EXCLUDES CLAIMS FOR RECOMMENDED ANNUAL MAINTENANCE, INSPECTIONS, & ALL ITEMS THAT ARE THE OWNER'S RESPONSIBILITY, SUCH AS CLEANING, TIGHTENING LOOSENED HARDWARE, & NORMAL WEAR AS A RESULT OF NORMAL USE.

THIS WARRANTY DOES NOT INCLUDE ASSEMBLY OR LABOR.

SEND WARRANTY CLAIMS TO: SALES@BLEACHERSEATING.COM

ALL DRAWINGS & DESIGNS ARE THE PRIVILEGE OF:



AMERICAN ALUMINUM SEATING INC.  
MARSHALLTOWN, IOWA



COPYRIGHT 2020 - ALL RIGHTS RESERVED