

TWO POST

SUPER ASYMMETRIC LIFT

The super asymmetric lift model OH Series are designed with asymmetric arms but also can be configured with symmetric.



OH-9

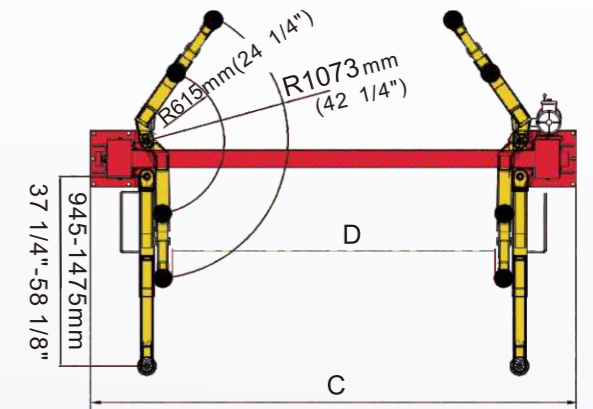
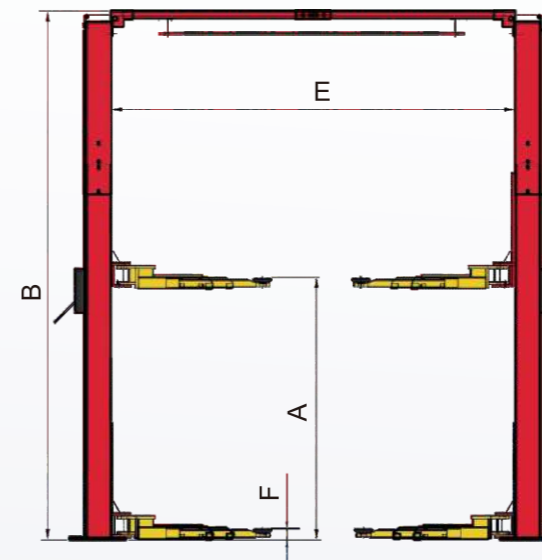
OH-9H

OH-10

OH-10H

SPECIFICATIONS

Model		OH-9	OH-9H	OH-10	OH-10H
Lifting Capacity		9,000lbs (4000kg)	9,000lbs (4000kg)	10,000lbs (4500kg)	10,000lbs (4500kg)
Lifting Time		57S	57S	57S	57S
Lifting Height	A	71 1/2" ~ 80 1/2" (1815~2044mm)	71 1/2" ~ 80 1/2" (1815~2044mm)	71 1/2" ~ 80 1/2" (1815~2044mm)	71 1/2" ~ 80 1/2" (1815~2044mm)
Overall Height	B	142 1/2" /150 1/2" (3621/3821mm)	166 1/2" /174 1/2" (4231/4431mm)	142 1/2" /150 1/2" (3621/3821mm)	166 1/2" /174 1/2" (4231/4431mm)
Overall Width	C	135 7/8" (3428mm)	135 7/8" (3428mm)	135 7/8" (3428mm)	135 7/8" (3428mm)
Drive-Thru Clearance	D	85 1/2" (2170mm)	85 1/2" (2170mm)	85 1/2" (2170mm)	85 1/2" (2170mm)
Width Between Columns	E	112 1/4" (2850mm)	112 1/4" (2850mm)	112 1/4" (2850mm)	112 1/4" (2850mm)
Minimum Pad Height	F	3 1/2" (90mm)	3 1/2" (90mm)	3 1/2" (90mm)	3 1/2" (90mm)
Motor		2.0HP ,220V/60Hz, single phase			
Gross Weight		1,483lbs (673kg)	1545lbs (701kg)	1,587lbs (720kg)	1,671lbs (758kg)



AMGO HYDRAULIC CORPORATION

1931 Joe Rogers Jr Blvd, Manning, SC 29102, USA
Tel:(803)505-6410 www.amgohyd.com

TWO-POST SUPER ASYMMETRIC LIFT

With standard features that include adjustable height, direct drive, powder coat finish, stackable rubber pads and many other appealing features, the OH series lift accommodates the most demanding lift requirements.

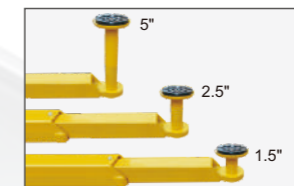
- ✓ Dual hydraulic direct-driven cylinders made to high standards
- ✓ Super-Asymmetric Arm Design, makes finding the lift point of the car easier
- ✓ 3/8" aircraft quality cable is used for synchronization
- ✓ Single-point safety release, allows the operator to disengage both columns simultaneously
- ✓ Self-lubricating UHMW Polyethylene sliders and bronze bushings
- ✓ Clear-floor design, provide unobstructed floor use
- ✓ Overhead safety shut-off device prevents vehicle damage
- ✓ Stackable rubber pads and 1.5", 2.5", 5" adapters as standard supply
- ✓ Standard adjustable heights accommodates varying ceiling heights
- ✓ Optional adjustable heights accommodates varying service bay sizes



Super-Asymmetric arms
Super asymmetric arms allow you to load different vehicles in an asymmetric or symmetric configuration. Self-lubricating UHMW polyethylene sliders, rubber door guards to protect your vehicle.



Lifting arm lock automatic release device, high strength gear rack, more stable and safer.



Extension adapters
With three different sizes of stackable adapters to adjust the height of rubber pad freely.



U Shape Supporting (Optional)
Perfect choice for wide size SUV vehicles and light trucks.

FEATURES



- Optional Width Extension Kit. With the kit, the width between columns is adjusted from 2850mm(112-1/4") to 3000mm(118-1/8")



- Single Point safety release makes it easy for the operator to unlock both column locks from one column



- Optional Height Extension Kits
With this kit, the height can be adjusted from 3821mm(150-1/2") to 4431mm(174-1/2")
Kit No.: 20902(OH-9)
Kit No.: 279007(OH-10)



- Dual hydraulic direct-driven cylinders

ASYMMETRIC DESIGN ARMS, OPEN-DOOR CLEARANCE

The OH series lift features our innovative super asymmetric technology providing the versatility to lift vehicles both symmetrically and asymmetrically upon demand.

The warranty time of the lifts:
5 years for steel construction,
3 years for hydraulic parts,
2 years for electrical components.