



UTVKIT-MSC-6KLP UTV Adaptor Kit - MSC-6KLP

2,600 lb. Total Adaptor Kit Capacity
(650 lbs. Max Capacity per Adaptor)

Installation Manual



NOTE:

(Refer to MSC-6KLP Manual for detailed Lift Operation, Safety & Maintenance Information)

July 2020

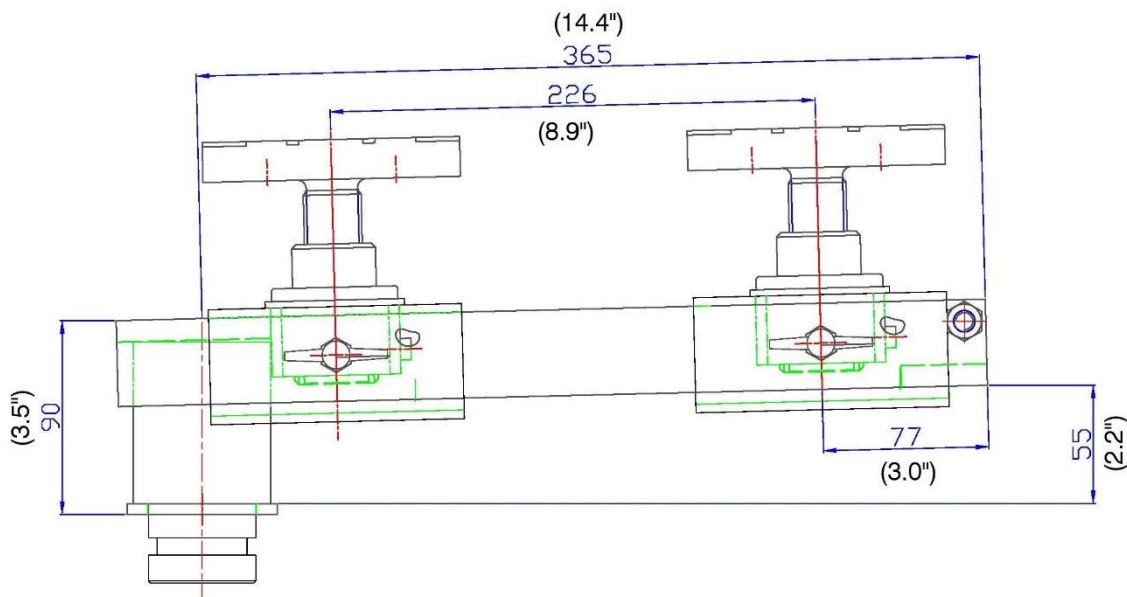
GENERAL INFORMATION

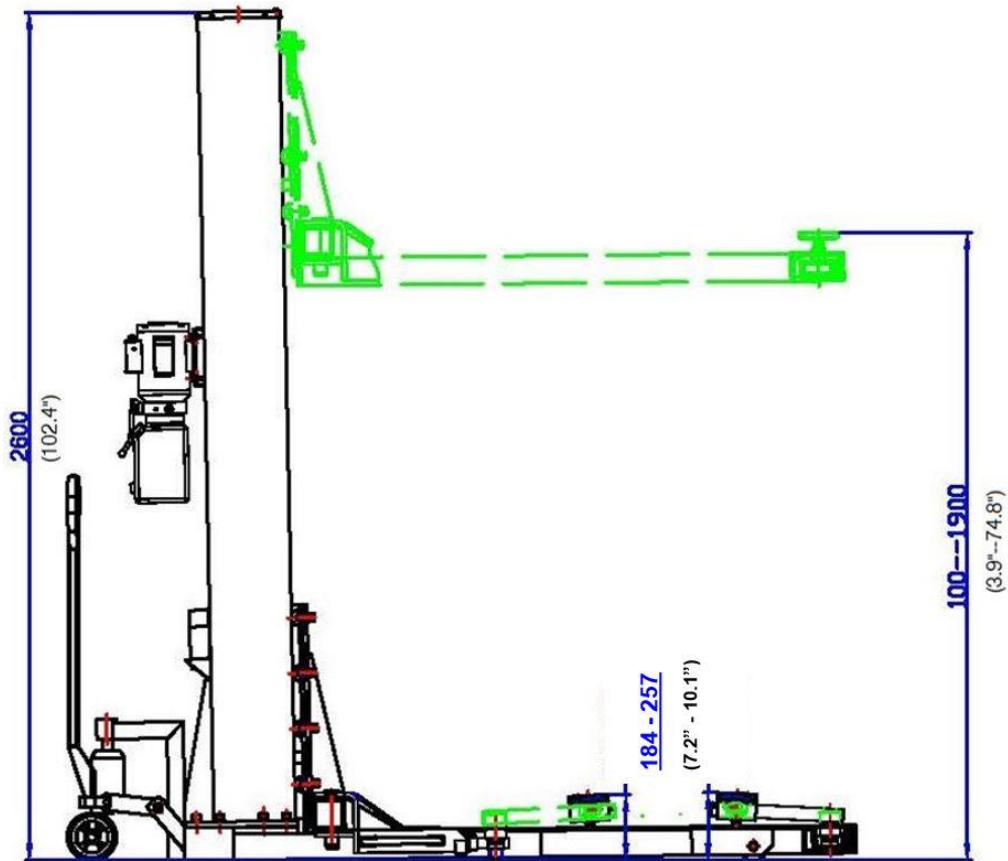
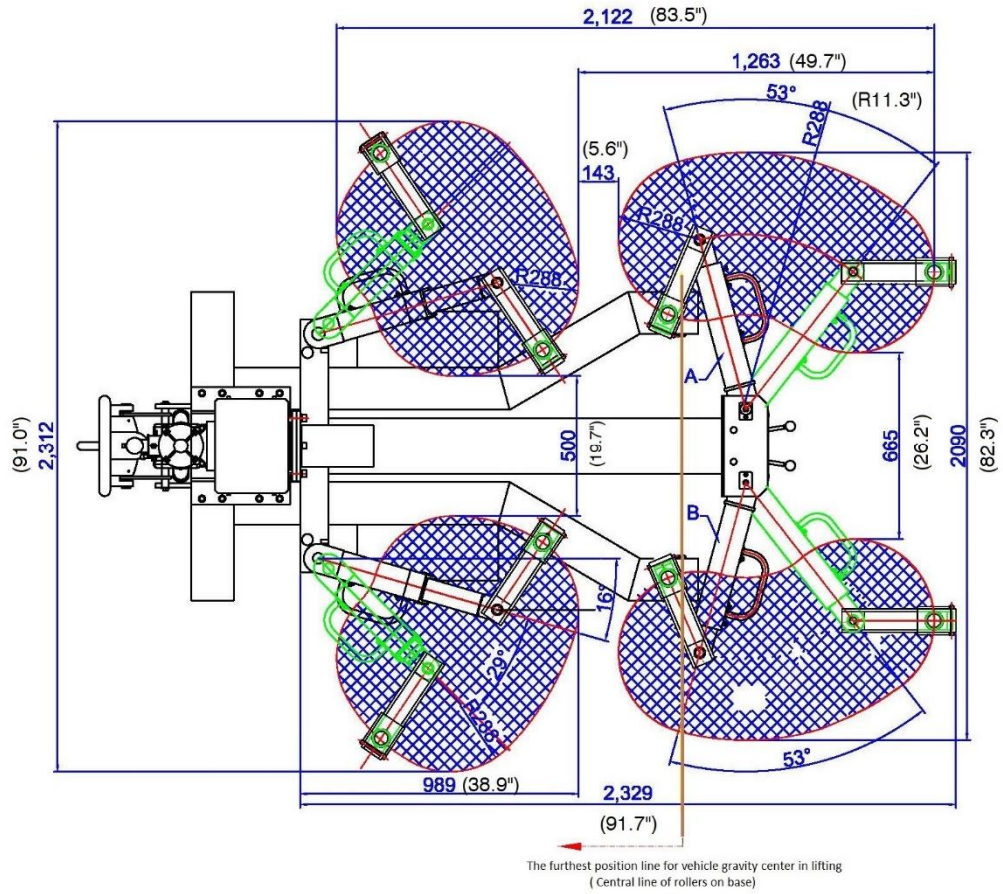
The iDEAL UTV Adaptor Kit (UTVKIT-MSC-6KLP) is an adaptor kit specifically designed for the iMOBILE single column MSC-6KLP Lift. The UTV Adaptor Kit extends the lift's Swing Arm / Swivel Pad adjustable radius area, thus allowing for the ability to lift & service most smaller power sport, recreational & customized vehicles. The UTV Adaptor Kit is ideal for most Utility & All-Terrain Vehicles, Golf Carts, Dune Buggies, etc. with overall vehicle weight up to 2,600 lbs.

SPECIFICATIONS

Specifications	UTVKIT-MSC-6KLP
Total Kit Capacity (Set of 4ea)	2,600 lbs.
Capacity Per Adapter	650 lbs.
Swivel Pad Adaptor Height - Min/Max	7-1/4+- 10-1/8+
Swivel Pad Adjustable Distance	8-7/8+
Bracket Adaptor Length	14-3/8+
Bracket Adaptor Width	4+
Bracket Adaptor Height	3-1/2+
MS Swing Arm & Adaptor Pad Range - Min/Max	19-11/16+- 91+
OS Swing Arm & Adaptor Pad Range - Min/Max	26-3/16+- 82-5/16+
Ship Weight	58 lbs.

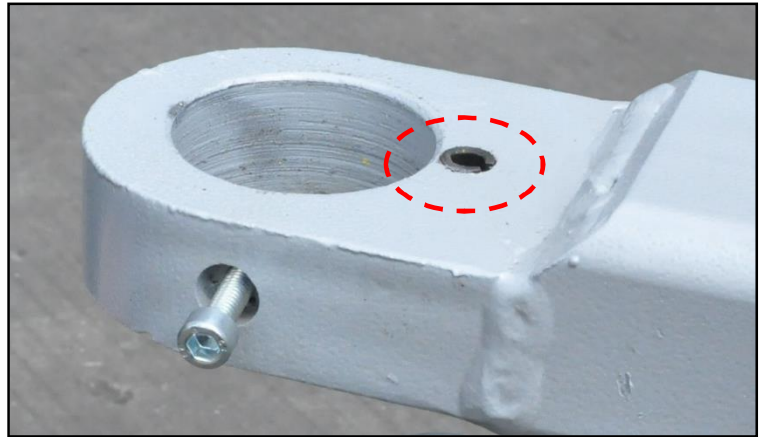
DIMENSIONS (MM / INCH)





INSTALLATION

1. Remove all Swivel Pads from Swing Arms by loosening Side Screws to allow removal, set aside. Then, carefully knock Roll Pins down with hammer until Pins are flush with Swing Arm surfaces. (Figs. 1 & 2)



Figs. 1 & 2

2. Place Nylon Bushing centered on top of each swing arm hole. (Fig. 3)

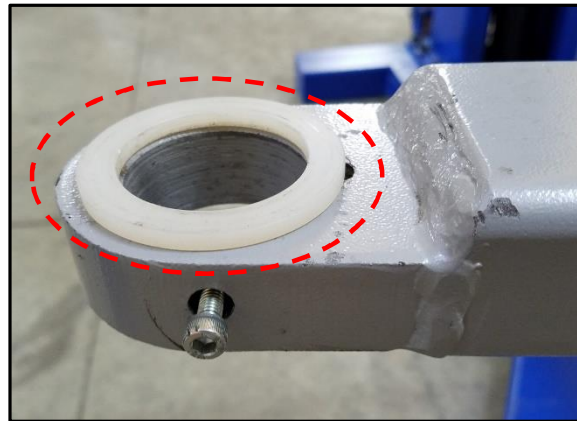
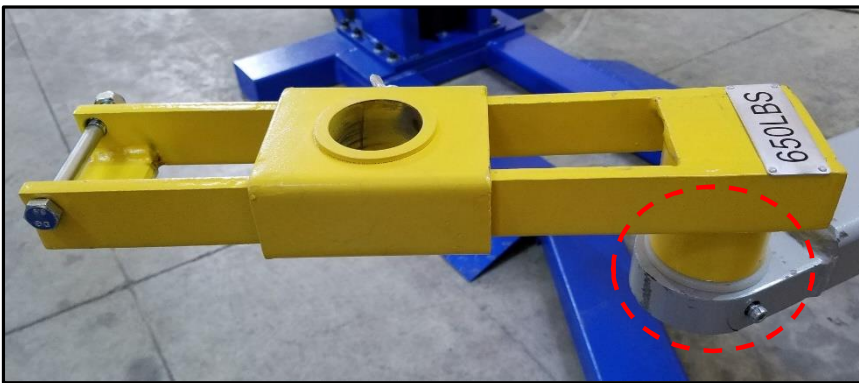


Fig. 3

3. Insert Adaptor Bracket & Pin into each Swing Arm hole. Secure Adaptor Brackets to Swing Arms by tightening the Side Screws. **NOTE: Ensure not to overtighten Side Screws so Adaptor can pivot freely.** (Figs. 4 & 5)



Figs. 4 & 5

4. Insert Swivel Pads into each Cradle Adaptor and firmly secure by tightening the 6mm Hex Socket Bolt located on the underside of each Cradle Adaptor. (Fig 6)



Fig. 6

5. Once Swivel Pads are secured to each Cradle Adaptor, also ensure the M10 Hex Bolts & Lock Nuts are tightened to each end of Adaptor Brackets. Also, check that the Wing Nut is threaded to the side of each Cradle Adaptor. (Fig 7)

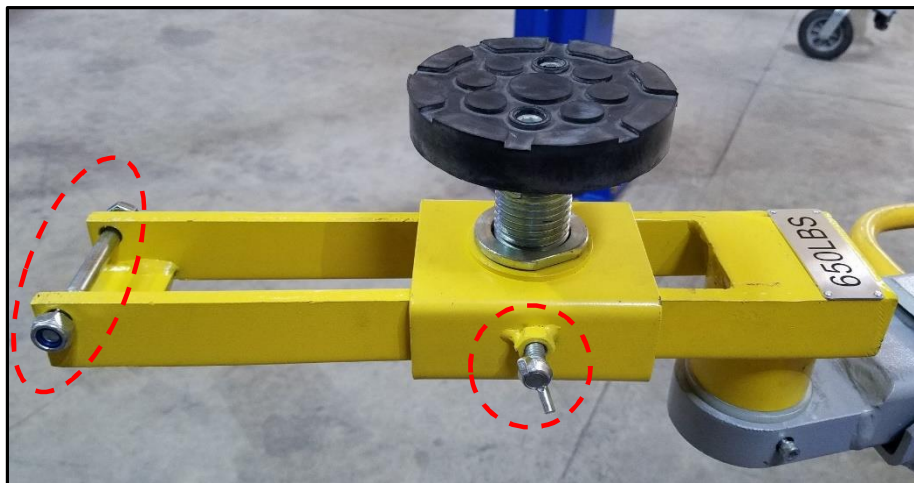


Fig. 7

END OF MSC-6KLP UTV ADAPTOR KIT INSTALLATION.

SAFETY INFORMATION

- Never exceed the maximum UTV Bracket individual capacity of 650 lbs. (300 kgs.) and/or the maximum UTV Kit overall capacity of 2,600 lbs. (1180 kgs.)
- Always configure UTV Adaptor Brackets & Swivel Pads to be within the specified lifting range, noted in diagram drawings on Pages 2 & 3. **NOTE: It is recommended that the Off-Side (outer) Swing Arms are not extended when using UTV Adaptor Kit.**
- If applies, use OEM recommend vehicle lifting points for proper & safe balanced lifting. Always ensure lifts pads make full contact with vehicles specified lifting points.
- Before fully raising vehicle for service, slightly lift vehicle so the tires are only a few inches above the floor and shake vehicle to check for stability, ensuring vehicle has proper weight distribution and balance for safely lifting to the desired height.

LIFT OPERATION

- **(Refer to MSC-6KLP Installation & Operation Manual)**

RAISING A VEHICLE

The MSC-6KLP can conveniently be positioned to raise a vehicle using two different methods:

1. Driving Vehicle over the MSC-6KLP Base utilizing the Ramps feature:

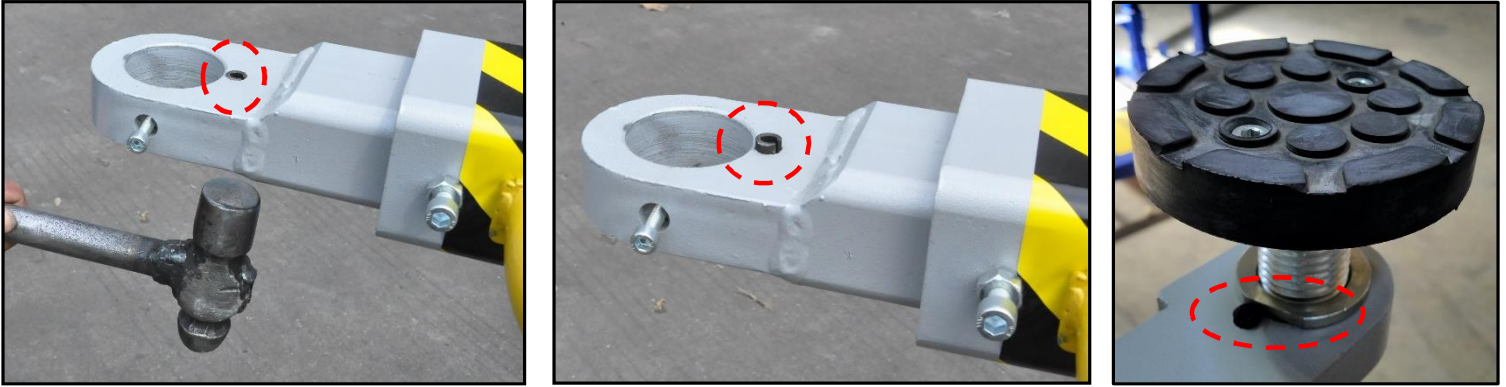
- Ensure Swing Arms & UTV Adaptor Brackets are positioned to the outer most positions and the Lift is positioned on a flat level surface, able to properly support the load. Carefully drive vehicle over the ramps until vehicle is close to being centered. Set the parking brake and position adaptors brackets under the vehicle to lift at the vehicle's proper pick-up points. Once adaptor brackets & swivel pads are positioned, tighten the wing nut on the sliding cradle to secure into position, followed by spinning-up the swivel pads until the rubber pads come in contact the vehicle's frame. Depress the **Start** button to raise the vehicle a little and check the arms again to ensure the pads are in the proper position and the vehicle is properly balanced. Raise vehicle to the desired height, then lower onto latch.

2. Positioning MSC-6KLP under Stationary Vehicle:

- Ensure the Vehicle to be raised is positioned on a flat level surface, able to properly support being raised by the Lift. Maneuver the Lift in the portable configuration to the desired side of the vehicle, ensuring the Lift is close to being centered to the vehicle. Position the Swing Arms & UTV Adaptor Brackets so that they will clear the inside of both the front & back wheels, as well as the vehicle's frame. Set the parking brake and position the arms under the vehicle to lift at the vehicle's proper pick-up points. Once adaptor brackets & swivel pads are positioned, tighten the wing nut on the sliding cradle to secure into position, followed by spinning-up the swivel pads until the rubber pads come in contact the vehicle's frame. Depress the **Start** button to raise the vehicle a little and check the arms again to ensure the pads are in the proper position and the vehicle is properly balanced. Raise vehicle to the desired height, then lower onto latch.

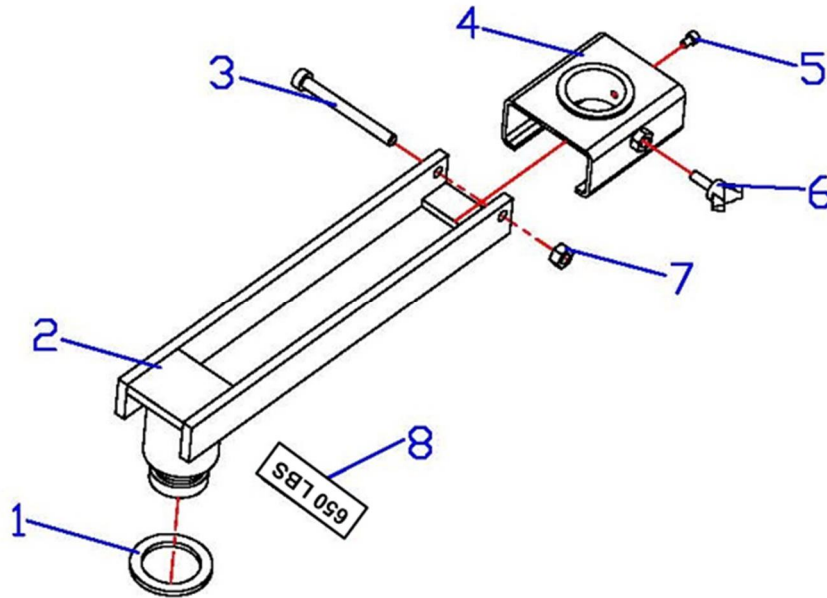
REMOVAL OF UTV ADAPTOR KIT (AUTOMOTIVE LIFTING)

1. Repeat Installation Steps in reverse #4 thru #2 to remove UTV Bracket Adaptors from Swing Arms.
2. Once UTV Adaptors have been removed, it will be required to carefully knock Roll Pins up with hammer until Pins are positioned back to original height above the Swing Arms surfaces. The Roll Pin height above Swing Arm surface to be no more than 3/16+(5 mm) for proper Swivel Pad height adjustment operation. (Figs. 1, 2 & 3)



Figs. 1, 2 & 3

EXPLODED VIEW & PARTS LIST



ITEM	Tux P/N	M-Ref P/N	DESCRIPTION	QTY
1	UTVKIT-MSC-6KLP-001	DJ01-30001-FJ5	Nylon Bushing	4
2	UTVKIT-MSC-6KLP-002	DJ01-30100-FJ5	Adaptor Bracket	4
3	UTVKIT-MSC-6KLP-003	5103-10100-001	Hex Bolt, M10 x 100	4
4	UTVKIT-MSC-6KLP-004	DJ01-30200-FJ5	Swivel Pad Cradle	4
5	UTVKIT-MSC-6KLP-005	5105-06008-BX0	Hex Socket Bolt, M6 x 8	4
6	UTVKIT-MSC-6KLP-006	5121-10016-000	Wing Screw, M10 x 16	4
7	UTVKIT-MSC-6KLP-007	5206-00010-000	Lock Nut, M10	4
8	UTVKIT-MSC-6KLP-008	NA	Capacity Plate	4

LIMITED WARRANTY

Structural Warranty:

The following parts and structural components carry a five year warranty:

Columns	Arms	Uprights	Swivel Pins	Legs	Carriages	Overhead Beam
Tracks	Cross Rails	Top Rail Beam				

Limited One-Year Warranty:

Tuxedo Distributors, LLC (iDEAL) offers a limited one-year warranty to the original purchaser of Lifts and Wheel Service equipment in the United States and Canada. Tuxedo will replace, without charge, any part found defective in materials or workmanship under normal use, for a period of one year after purchase. The purchaser is responsible for all shipping charges. This warranty does not apply to equipment that has been improperly installed or altered or that has not been operated or maintained according to specifications.

Other Limitations:

This warranty does not cover:

1. Parts needed for normal maintenance
2. Wear parts, including but not limited to cables, slider blocks, chains, rubber pads and pulleys
3. Replacement of lift and tire changer cylinders after the first 30 days. A seal kit and installation instructions will be sent for repairs thereafter.
4. On-site labor

Upon receipt, the customer must visually inspect the equipment for any potential freight damage before signing clear on the shipping receipt. Freight damage is not considered a warranty issue and therefore must be noted for any potential recovery with the shipping company.

The customer is required to notify Tuxedo of any missing parts within 72 hours. Timely notification must be received to be covered under warranty.

Tuxedo will replace any defective part under warranty at no charge as soon as such parts become available from the manufacturer. No guarantee is given as to the immediate availability of replacement parts.

Tuxedo reserves the right to make improvements and/or design changes to its lifts without any obligation to previously sold, assembled, or fabricated equipment.

There is no other express warranty on the Tuxedo lifts and this warranty is exclusive of and in lieu of all other warranties, expressed or implied, including all warranties of merchantability and fitness for a particular purpose. To the fullest extent allowed by law, Tuxedo shall not be liable for loss of use, cost of cover, lost profits, inconvenience, lost time, commercial loss or other incidental or consequential damages.

This Limited Warranty is granted to the original purchaser only and is not transferable or assignable.

Some states do not allow exclusion or limitation of consequential damages or how long an implied warranty lasts, so the above limitations and exclusions may not apply. This warranty gives you specific legal rights and you may have other rights, which may vary from state to state.

8320 E Hwy 67, Alvarado, TX 76009
Ph. 817-558-9337 / Fax 817-558-9740

