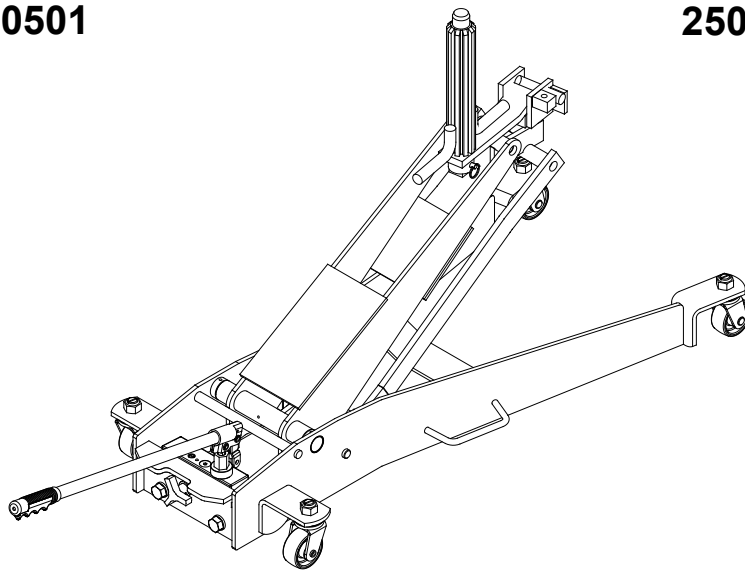


OMEGALIFT™ EQUIPMENT



Clutch Handler & Flywheel Adapter

Model
40500
40501

Capacity
500 lb.
250 lb.



This is the safety alert symbol. It is used to alert you to potential personal injury hazards. Obey all safety messages that follow this symbol to avoid possible injury or death.

 WARNING	
To avoid crushing and related injuries :	
	NEVER work on, under or around a load supported only by a hydraulic jack. ALWAYS use adequately rated jack stands.

SFA Companies
<http://www.omegalift.com>

Read this manual and follow all the Safety Rules and Operating Instructions before using this product.

40500-M0_042017

SAFETY and GENERAL INFORMATION

Save these instructions. For your safety, read, understand, and follow the information provided with and on this jack before using. The owner and operator of this equipment shall have an understanding of this jack and safe operating procedures before attempting to use. The owner and operator shall be aware that use and repair of this product may require special skills and knowledge. Instructions and safety information shall be conveyed in the operator's native language before use of this jack is authorized. If any doubt exists as to the safe and proper use of this jack, remove from service immediately.

Inspect before each use. Do not use if broken, bent, cracked or damaged parts are noted. Any jack that appears damaged in any way, or operates abnormally shall be removed from service immediately. If the jack has been or suspected to have been subjected to a shock load (a load dropped suddenly, unexpectedly upon it), immediately discontinue use until jack has been checked by a factory authorized service center (contact distributor or manufacturer for list of authorized service centers). It is recommended that an annual inspection be done by qualified personnel. Labels and Operator's Manuals are available from manufacturer.

PRODUCT DESCRIPTION

Clutch Handler is designed for clutch/ flywheel removal and installation. Intended use: to remove, install and transport (in lowest position) both 14" and 15-1/2" clutches and flywheels. The two most common spline sizes, 1-3/4" and 2" diameter, are included with this product. The head plate enables clutch to be positioned in either horizontal position for clearing underneath vehicle or vertical position for installation and removal. The spline sleeve rotates 360 degrees, turns side to side and vertically tilts for precise clutch alignment. Model 40501 is designed to be used in conjunction with Omega Clutch handler, 40500 only. Refer to Figure 4 to ensure all parts are included before use.



WARNING: NEVER use for any purpose other than those uses outlined above!

SPECIFICATIONS

Model	Capacity	Jack Size (L x W)	Min. Height	Max. Height	Spline Dia.	Pilot Shaft Dia.
40500	500 lb.	44-1/2" x 22-1/2"	16-1/2"	42"	1-3/4" & 2"	1"

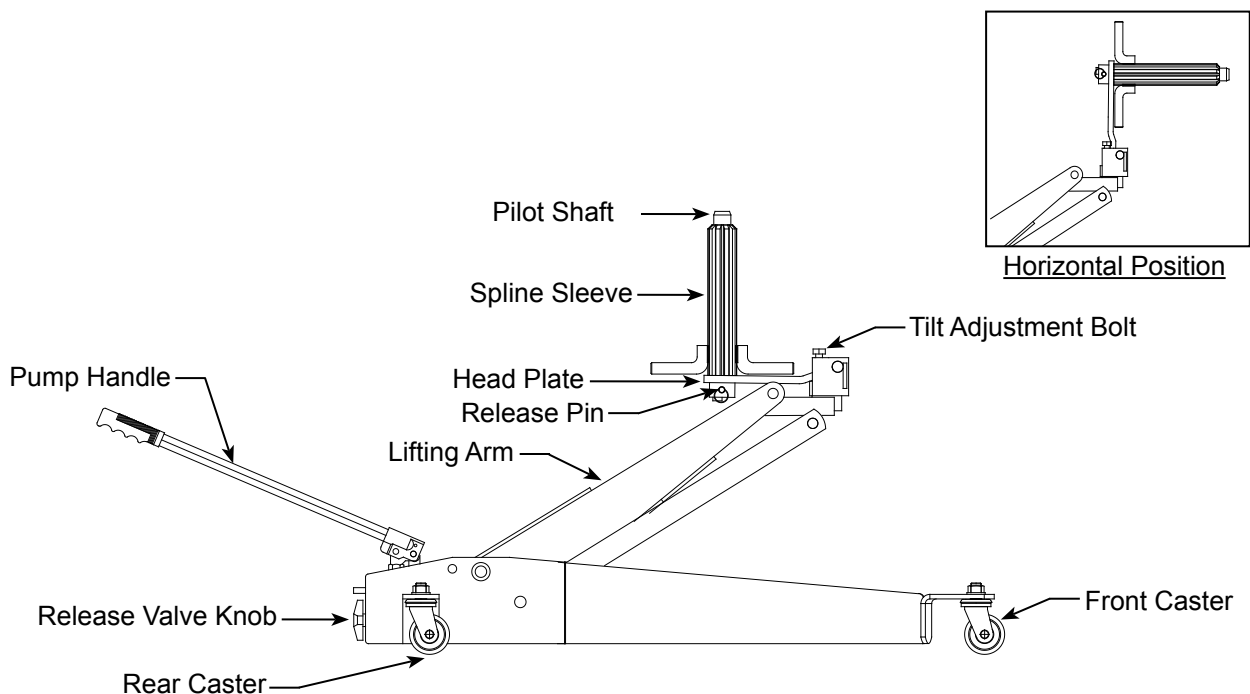


Figure 1 - Model 40500 Components

PREPARATION

1. Verify that the product and the application are compatible, if in doubt contact your local Omega Technical Service (888) 332-6419.
2. Before using this product, read the operator's manual completely and familiarize yourself thoroughly with the product, its components and recognize the potential hazards associated with its use.
3. To familiarize yourself with basic operation, locate and turn the release valve knob (see Fig 1):
 - a. *Clockwise* until firm resistance is felt to further turning. This is the '**CLOSED**' release valve position used to **raise** the lifting arm.
 - b. *Counter-clockwise*, but no more than 1/2 turn from the closed position. This is the '**OPEN**' release valve position used to **lower** the lifting arm.
4. With lifting arm fully lowered and release valve closed, pump the operating handle. If lift arm responds immediately jack is ready for use. If jack does not respond, open release valve and pump 6 to 8 full strokes to purge air. Close release valve and recheck operation
5. Ensure that jack rolls freely, that the pump and release valve operate smoothly. Raise and lower the unloaded jack throughout the advertised lift range before putting into service. Replace worn or damaged parts and assemblies with factory authorized replacement parts only.

Bleeding/ Venting Trapped Air

With the release valve in the OPEN position (3b.) and saddle fully lowered, locate and remove the oil filler plug/ screw. Pump 6 to 8 full strokes. This will help release any pressurized air which may be trapped within the reservoir. Reinstall the oil filler plug/ screw.

⚠ WARNING

- **Study, understand, and follow** all printed materials provided with/on this product before use.
- **Do not** exceed rated capacity.
- Use only on hard, level surface.
- Do not allow any part of your body under the lift arm or load while the jack is supporting a load.
- Only attachments and/ or adapters supplied by the manufacturer shall be used. Never use any other part of the jack as a lifting surface.
- Use of this jack is limited to the removal, installation and transportation of clutch/flywheel.
- Adequately support the vehicle before starting repairs.
- No alterations shall be made on this product.
- Failure to heed these markings may result in personal injury and/or property damage.

OPERATION

Removing a Clutch

1. Follow vehicle manufacturers instruction for removing clutch.
2. Select the correct size spline sleeve. Place the spline on the adapter shaft, then attach to the head plate with the release pin & retaining pin provided.
3. Close the release valve by tightening the release valve knob. Pump the handle to raise the lifting arm and align the spline sleeve with the clutch.
4. Tilt the head plate with the tilt adjustment bolt to align it with the clutch bore. Slide the spline sleeve into the clutch.
5. Remove the clutch mounting bolts and back the jack and clutch away from the flywheel.

⚠ WARNING: *Be sure all tools and personnel are clear before lowering load. **Slowly open the release valve!** The more you turn the knob counter-clockwise, the faster the load will come down. **Maintain control** of the rate of speed at which the load lowers at all times!*

Transporting the Clutch while on Jack

Be sure the adapter shaft is in the vertical position and the jack is fully lowered before transporting, as shown in Figure 2.

Loading and Unloading a Clutch from the Jack

1. To load or unload a clutch from the jack, be sure the adapter shaft is in the vertical position, as shown in Figure 2.
2. Add or remove one piece of the clutch at a time.

Installing a Clutch

1. Raise the clutch into the horizontal position for installation and tilt the clutch using the tilt adjustment bolt to align with the flywheel.
2. Put the jack and clutch into position so that the spline shaft engages the pilot bearing in the flywheel. Install and tighten the clutch mounting bolts referring vehicle manufacturer's instructions.

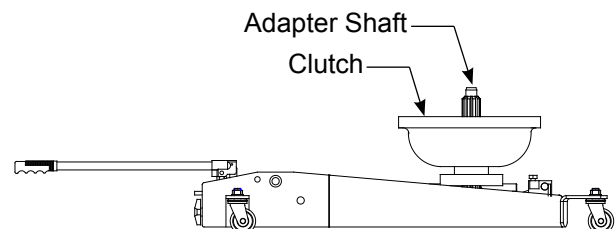


Figure 2 - Illustration of Lowest Position with Clutch

OPERATING with Optional Flywheel Adapter

Install the flywheel adapter

1. Keep jack in lowest position. Remove the release pin, then remove the spline sleeve and adapter shaft.
2. Install the flywheel adapter assembly, then secure with the quick release pin.

Note: Flywheel adapter assembly includes flywheel adapter, a shorter adapter shaft, and a C-clip (Fig. 3). Use the shorter adapter shaft on flywheel adapter only.

Removing a Flywheel

1. Remove all the flywheel attaching bolts (flywheel to crankshaft bolts) except for the three bolts pointed in Figure 4.
2. Install the flywheel adapter as shown in Fig. 4. Close the release valve knob fully. Pump the handle to raise the lifting arm and align the flywheel adapter to the flywheel using the tilt adjustment bolt.
3. Center the flywheel adapter to the flywheel and bolt the adapter to the flywheel. Leave room to access the remaining three flywheel attaching bolts retained on the flywheel.
4. Ensure the release valve knob of the jack is closed tightly before removing the last three flywheel attaching bolts.

5. Back the jack and flywheel away from the engine and slowly lower the flywheel.
6. Then while supporting the flywheel, remove the flywheel from the adapter.

Loading and Unloading a Flywheel from the Jack

1. To load or unload a flywheel from the jack, be sure the jack is in lowest position.
2. While supporting the flywheel, remove the flywheel from the adapter.

Installing a Flywheel

1. Close release valve knob, pump the handle and raise the flywheel into position shown in Figure 4 for installation. Adjust the flywheel using tilt adjustment bolt to align the flywheel with the crankshaft.
2. Install and tighten the attaching bolts.

Note: Tighten the flywheel attaching bolts gradually. Each bolt should be tightened to the specified torque in a crisscross method. Refer to vehicle service manual for the tightening sequence and torque.

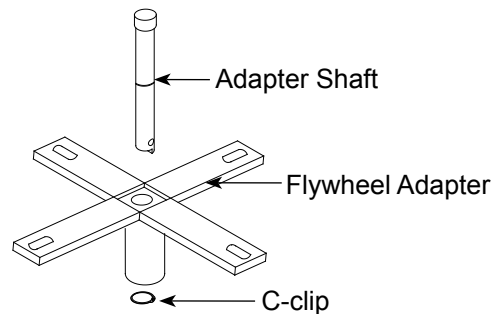


Figure 3 - Flywheel adapter assembly components

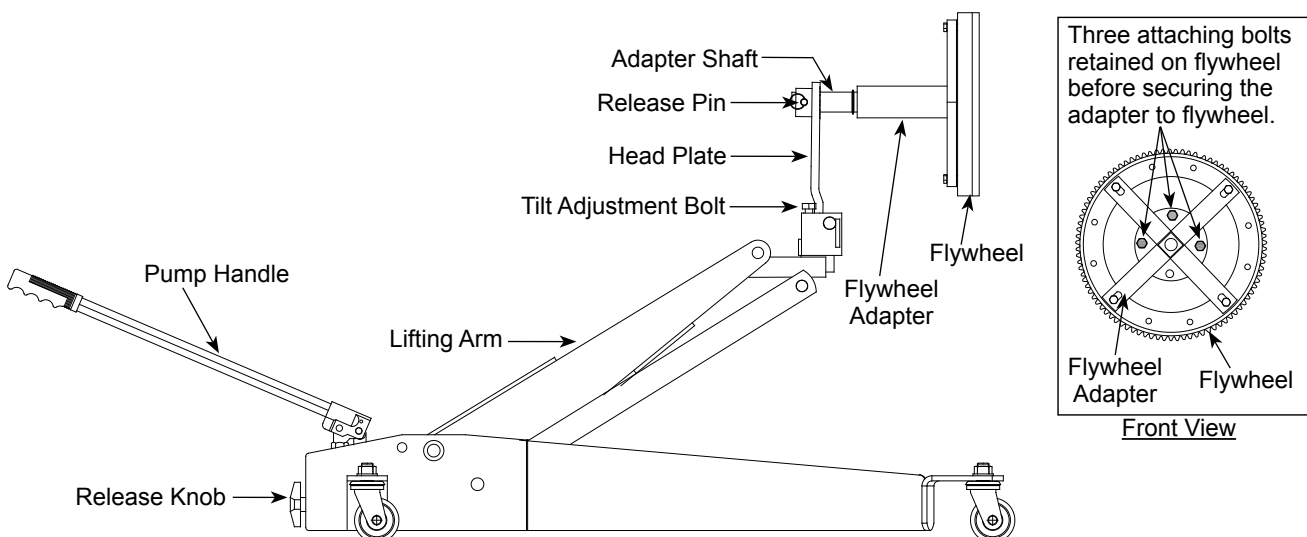


Figure 4 - Flywheel Adapter Operational Illustration

MAINTENANCE

Important: Use only good grade hydraulic jack oil. Avoid mixing different types of fluid and NEVER use brake fluid, turbine oil, transmission fluid, motor oil or glycerin. Improper fluid can cause premature failure of the jack and the potential for sudden and immediate loss of load. We recommend premium hydraulic jack oil.

Adding oil

1. With lifting arm fully lowered set jack in its upright, level position. Locate and remove oil filler plug.
2. Fill with oil until ~3/16" above the inner cylinder as seen from the oil filler hole. Reinstall oil filler plug.

Changing oil

For best performance and longest life, replace the complete fluid supply at least once per year.

1. With lifting arm fully lowered, remove oil filler plug.
2. Lay the jack on its side and drain the fluid into a suitable container.

Note. Dispose of hydraulic fluid in accordance with local regulations.

3. Fill with oil until ~3/16" above the inner cylinder as seen from the oil filler hole. Reinstall oil filler plug.

Lubrication

A periodic coating of light lubricating oil to pivot points, axles and hinges will help to prevent rust and assure that wheels, casters and pump assemblies move freely.

Cleaning

Periodically check the pump piston and ram for signs of rust or corrosion. Clean as needed and wipe with an oily cloth.

Note: Never use sandpaper or abrasive material on these surfaces!

Storage

When not in use, store the jack with lifting arm fully lowered.

TROUBLESHOOTING

Symptom	Possible Causes	Corrective Action
Jack will not lift load	<ul style="list-style-type: none"> • Release valve not tightly closed • Load is too heavy 	<ul style="list-style-type: none"> • Ensure release valve tightly closed • Consider higher capacity jack
Jack will lift, but not maintain pressure	<ul style="list-style-type: none"> • Release valve not tightly closed • Hydraulic unit malfunction 	<ul style="list-style-type: none"> • Ensure release valve tightly closed • Discontinue use, contact your local Omega Representative or visit www.Omega.com to locate your nearest store
Jack will not lower after unloading	<ul style="list-style-type: none"> • Reservoir overfilled • Linkage binding 	<ul style="list-style-type: none"> • Ensure load is removed, then drain fluid to proper level • Clean and lubricate moving parts
Poor lift performance	<ul style="list-style-type: none"> • Fluid level low • Air trapped in system 	<ul style="list-style-type: none"> • Ensure proper fluid level • See Page 3 for bleeding/ venting trapped air
Jack will not lift to full extension	<ul style="list-style-type: none"> • Fluid level low 	<ul style="list-style-type: none"> • Ensure proper fluid level

REPLACEMENT PARTS

(refer to page 6 & 7)

Not all components of the jack are replacement items. When ordering parts, give Model number, serial number and parts description. Call or write for current pricing: SFA Companies 10939 N. Pomona Ave. Kansas City, MO 64153 USA. E-Mail: sales@omegalift.com Tel: (888) 332-6419 Fax: (816) 891-6599 Omega Website: <http://www.omegalift.com>

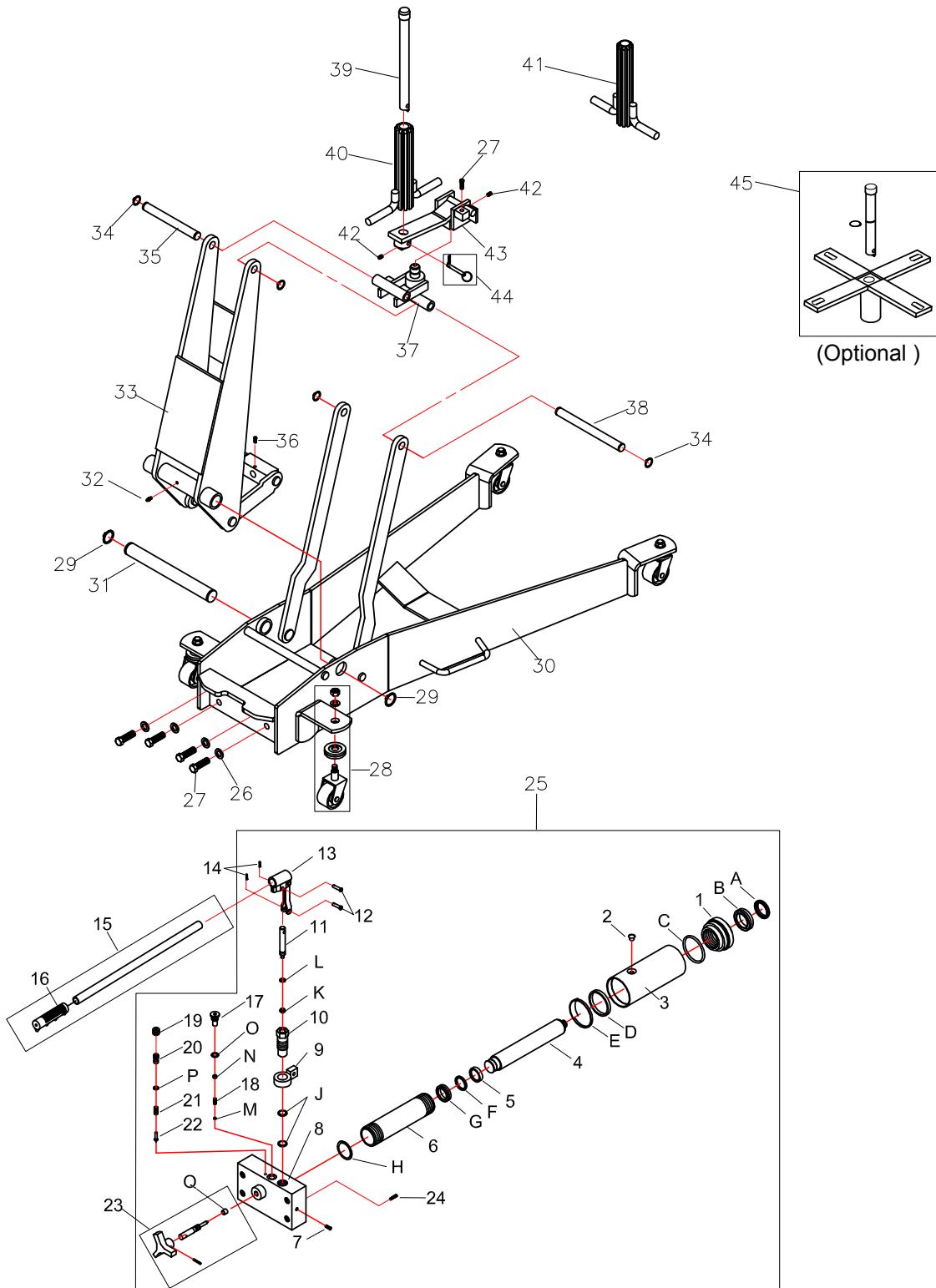


Figure 5 - Replacement Parts Illustration for Model 40500

Replacement Parts List for Model 40500

Item	Part No.	Description	Qty.
1	N/A	Top nut	1
2	5905-00100-100	Filler Plug	1
3	N/A	Reservoir	1
4	N/A	Piston Rod	1
5	N/A	Ram Bearing	1
6	N/A	Cylinder	1
7	N/A	Screw	1
8	N/A	Base	1
9	4200-01006-000	Handle Sleeve Seat	1
10	4200-01002-000	Pump Cylinder	1
11	4200-01401-000	Pump Piston	1
12	5405-07027-000	Pin	2
13	4200-01300-000	Handle Sleeve	1
14	N/A	Retaining Pin	2
15	4500-02000-000	Handle Assembly	1
16	BL80-20002-000	Handle Grip	1
17	N/A	Screw	1
18	N/A	Spring	1
19	N/A	Screw	1
20	N/A	Safety Valve Screw	1
21	N/A	Safety Spring	1
22	N/A	Needle	1
23	G410-90009-K02	Release Valve Assy.	1
24	N/A	Filter	1
25	G410-70000-000	Hydraulic unit	1
26	N/A	Lock Washer	4
27	5102-12035-000	Bolt	5
28	G410-90009-K01	Caster Assembly	4
29	N/A	Snap Ring	2
30	N/A	Chassis	1

Item	Part No.	Description	Qty.
31	N/A	Lift Arm Axle	1
32	5701-00006-000	Grease Fitting	1
33	N/A	Lift Arm	1
34	N/A	Snap Ring	4
35	N/A	Lift Arm Axle	1
36	N/A	Bolt	1
37	N/A	Spline Adapter Seat	1
38	N/A	Parallel Link Axle	1
39	G410-00001-000	Pilot Shaft	1
40	G410-10000-000	Spline Sleeve, 2"	1
41	G410-80000-000	Spline Sleeve, 1-3/4"	1
42	N/A	Bolt	2
43	G410-20000-000	Spline Adapter	1
44	G410-90009-K04	Release Pin	1
45	40501	Flywheel Adapter Assembly	-
*	42000S-102	Seal Kit (Hyd Unit)	-

(*) Seal Kit Contents:		
Item	Description	Qty.
2	Filler Plug	1
A	Seal	1
B	U-cup	1
C	O-ring	1
D	Back-up Ring	1
E	Seal	1
F	Back-up Ring	1
G	U-cup	1
H	Copper Gasket	1
J	O-ring	2
K	Seal	1
L	O-ring	1
M	Steel Ball	1
N	Steel Ball	1
O	O-ring	1
P	O-ring	1
Q	Oil Seal	1

ONE YEAR LIMITED WARRANTY

For a period of one (1) year from date of purchase, **SFA Companies** will repair or replace, at its option, without charge, any of its products which fails due to a defect in material or workmanship under normal usage. This limited warranty is a consumer's exclusive remedy.

Performance of any obligation under this warranty may be obtained by returning the warranted product, freight prepaid, to **SFA Companies** Warranty Service Department, 10939 N. Pomona Ave., Kansas City, MO 64153.

Except where such limitations and exclusions are specifically prohibited by applicable law, (1) THE CONSUMER'S SOLE AND EXCLUSIVE REMEDY SHALL BE THE REPAIR OR REPLACEMENT OF DEFECTIVE PRODUCTS AS DESCRIBED ABOVE. (2) **SFA Companies** SHALL NOT BE LIABLE FOR ANY CONSEQUENTIAL OR INCIDENTAL DAMAGE OR LOSS WHATSOEVER. (3) ANY IMPLIED WARRANTIES, INCLUDING WITHOUT LIMITATION THE IMPLIED WARRANTIES OF MERCHANTABILITY AND FITNESS FOR A PARTICULAR PURPOSE, SHALL BE LIMITED TO ONE YEAR, OTHERWISE THE REPAIR, REPLACEMENT OR REFUND AS PROVIDED UNDER THIS EXPRESS LIMITED WARRANTY IS THE EXCLUSIVE REMEDY OF THE CONSUMER, AND IS PROVIDED IN LIEU OF ALL OTHER WARRANTIES, EXPRESS OR IMPLIED. (4) ANY MODIFICATION, ALTERATION, ABUSE, UNAUTHORIZED SERVICE OR ORNAMENTAL DESIGN VOIDS THIS WARRANTY AND IS NOT COVERED BY THIS WARRANTY.

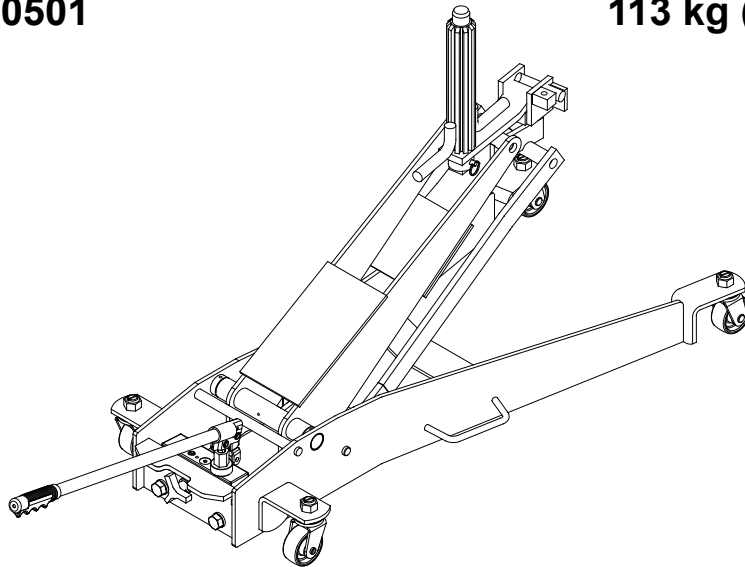
Some states do not allow limitations on how long an implied warranty lasts, so the above limitation may not apply to you. Some states do not allow the exclusion or limitation of incidental or consequential damages, so the above limitation or exclusion may not apply to you. This warranty gives you specific legal rights, and you may also have other rights, which vary from state to state.

OMEGALIFT™ EQUIPMENT

Porte-embayage et adaptateur pour volant-moteur

Modèles
40500
40501

Capacité
227 kg (500 lb)
113 kg (250 lb)



Voici le symbole signalant un danger pour la sécurité. Il est utilisé pour vous alerter des dangers potentiels de blessures.

Respectez tous les messages de sécurité qui suivent ce symbole afin d'éviter les blessures et la mort.



MISE EN GARDE

Pour éviter de vous faire écraser et de subir des blessures :



Ne travaillez **JAMAIS** autour d'une charge, en dessous d'elle ou sur celle-ci, si elle est supportée seulement par un cric hydraulique. Utilisez **TOUJOURS** des béquilles de cric dont la capacité nominale est adéquate.

SFA Companies

<http://www.omegalift.com>.

Lisez ce manuel et observez toutes les consignes de sécurité et d'utilisation avant d'utiliser ce produit.

INFORMATIONS GÉNÉRALES et INFORMATIONS RELATIVES À LA SÉCURITÉ

Conservez ces instructions. Pour votre sécurité, assurez-vous de lire, de bien comprendre et de respecter toutes les consignes fournies avec ce produit ou se trouvant sur celui-ci avant de l'utiliser. Le propriétaire, ainsi que l'utilisateur, doit comprendre le fonctionnement de ce produit et les consignes de sécurité associées à son utilisation avant de s'en servir. Ces personnes doivent aussi savoir que, pour utiliser ou réparer ce produit, il peut être nécessaire d'avoir des connaissances ou des habiletés spéciales. Avant que l'utilisation de ce produit ne soit autorisée, il faut faire connaître à l'opérateur, dans sa langue maternelle, les instructions et les informations relatives à la sécurité. S'il y a des doutes quant à la façon adéquate et sécuritaire de se servir de ce cric, il faut en cesser l'utilisation immédiatement.

Inspectez le cric avant chaque utilisation. Ne l'utilisez pas s'il présente des pièces brisées, déformées, fissurées ou endommagées. Il faut immédiatement cesser l'utilisation d'un cric qui semble endommagé ou qui fonctionne de manière anormale. Si le cric a été soumis, ou semble avoir été soumis, à une surcharge d'impact (charge qui serait tombée accidentellement dessus), cessez immédiatement de l'utiliser et faites-le vérifier par un centre de réparation autorisé par le fabricant (communiquez avec le distributeur ou le fabricant pour avoir une liste des endroits autorisés). Il est recommandé qu'un personnel qualifié inspecte l'appareil annuellement. Il est possible de se procurer d'autres étiquettes et d'autres manuels auprès du fabricant.

DESCRIPTION DU PRODUIT

Le porte-embayage est conçu pour le retrait et l'installation d'embayages et de volants-moteurs. Utilisation prévue : pour retirer, installer et déplacer (dans sa position la plus basse) des embayages et des volants-moteurs de 35,56 et 39,37 cm (14 et 15-1/2 po). Deux manchons cannelés aux diamètres standard de 4,45 cm et de 5,08 cm (1-3/4 po et de 2 po) sont inclus avec ce produit. La plaque supérieure permet de positionner l'embayage horizontalement pour libérer l'espace situé sous le véhicule et verticalement pour l'installer ou l'enlever. Les manchons cannelés pivotent sur eux-mêmes sur 360°, se tournent sur 360° et s'inclinent verticalement afin de pouvoir aligner l'embayage avec précision. Le modèle 40501 est conçu pour être utilisé avec le porte-embayage Omega 40500 uniquement. Reportez-vous à la figure 4 pour vous assurer que toutes les pièces sont incluses avant d'utiliser le produit.



MISE EN GARDE : N'utilisez **JAMAIS** ce produit dans un but autre que ceux décrits ci-dessus!

SPÉCIFICATIONS

Modèle	Capacité	Dim. du cric (L x l)	Hauteur min.	Hauteur max.	Diam. du manchon cannelé	Diam. de l'arbre de guidage
40500	227 kg (500 lb)	113,03 x 57,15 cm (44-1/2 x 22-1/2 po)	41,91 cm (16-1/2 po)	106,68 cm (42 po)	4,45 et 5,08 cm (1-3/4 po et 2 po)	2,54 cm (1 po)

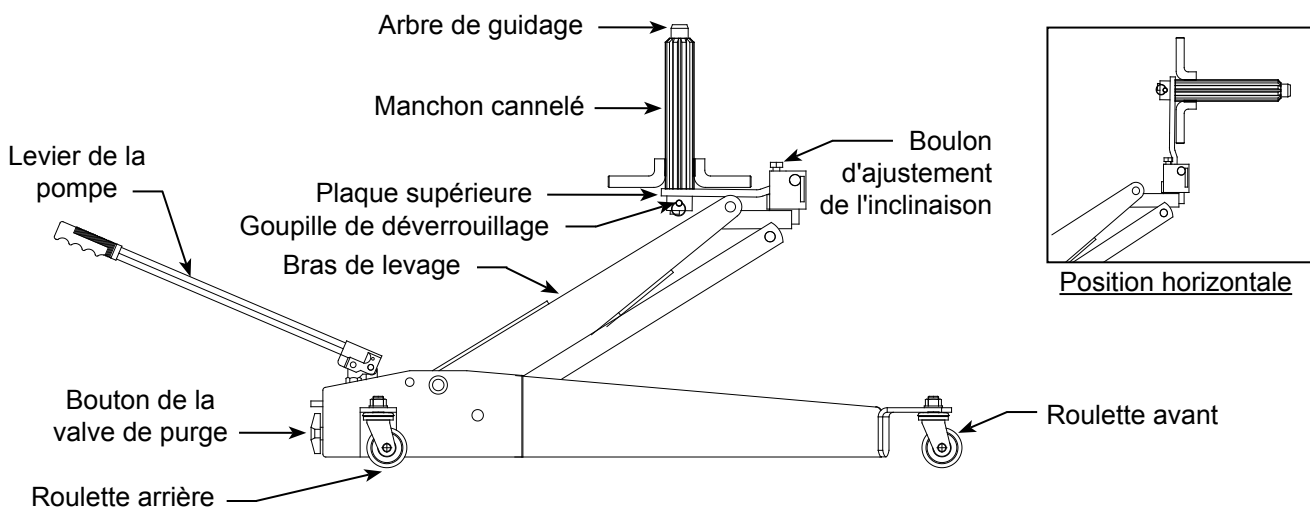


Figure 1 : Composants du modèle 40500

PRÉPARATION

- Vérifiez que le produit et son utilisation sont compatibles. Si vous avez des doutes, appelez le service de soutien technique des produits Omega au 1 888 332-6419.
- Avant d'utiliser ce produit, lisez le manuel d'utilisation au complet et familiarisez-vous parfaitement avec le produit et ses composants, et identifiez les dangers potentiels associés à son utilisation.

PRÉPARATION (suite)

- Afin de vous familiariser avec le fonctionnement de base du cric, repérez le bouton de la valve de purge et tournez-le (voir figure 1) :
 - Dans le sens *horaire* jusqu'à ce que vous sentiez une forte résistance au mouvement. C'est la position « **FERMÉE** » de la valve de purge utilisée pour **abaisser** le bras de levage.
 - Dans le sens *antihoraire*, mais pas plus d'un demi-tour à partir de la position fermée. C'est la position « **OUVERTE** » de la valve de purge utilisée pour **faire descendre** le bras de levage.
- Lorsque le bras de levage est complètement rentré et que la valve de purge est fermée, actionnez le levier de la pompe. Si le bras de levage réagit immédiatement, le cric peut maintenant être utilisé. Si le cric ne réagit pas, ouvrez la valve de purge et actionnez le levier de la pompe de 6 à 8 fois pour purger l'air. Fermez la valve de purge et vérifiez de nouveau le fonctionnement du cric.
- Assurez-vous que le cric roule librement, que la pompe et la valve de purge fonctionnent correctement. Soulevez et abaissez le mécanisme de levage, sans charge, sur toute la plage de levage avant de l'utiliser. Remplacez les pièces et les assemblages usés ou endommagés seulement par des pièces de rechange autorisées.

Purge de l'air emprisonné

Lorsque la valve de purge est en position OUVERTE (3b.) et que le point d'appui est à la hauteur minimale, trouvez et enlevez le bouchon ou la vis du réservoir d'huile. Actionnez le levier de la pompe de 6 à 8 fois. Cela va faciliter la libération de tout air pressurisé pouvant être emprisonné dans le réservoir. Remettez le bouchon ou la vis.


MISE EN GARDE

- Assurez-vous de lire, de bien comprendre et de suivre toutes les consignes décrites dans les documents fournis avec ce produit ou qui se trouvent sur l'appareil avant d'utiliser ce dernier.
- Ne dépassez pas la capacité nominale.
- Utilisez cet équipement seulement sur des surfaces dures et de niveau.
- Ne placez aucune partie de votre corps sous le bras de levage ou sous la charge lorsque le cric supporte une charge.
- Utilisez seulement les accessoires et les adaptateurs fournis par le fabricant. N'utilisez aucune autre partie du cric comme surface de levage.
- Ce cric doit seulement être utilisé pour enlever, installer et déplacer des embrayages et des volants-moteurs.
- Soutenez le véhicule de manière adéquate avant de commencer à faire les réparations.
- Ne modifiez pas ce produit.
- Le non-respect de ces consignes peut entraîner des blessures ou des dommages matériels.

FUNCTIONNEMENT

Enlever un embrayage

- Suivez les instructions du fabricant du véhicule pour enlever l'embrayage.
- Choisissez le manchon cannelé du bon diamètre. Placez le manchon cannelé sur l'arbre de guidage, puis fixez-le à la plaque supérieure à l'aide de la goupille de déverrouillage et la goupille de retenue fournies.
- Fermez la valve de purge en serrant son bouton. Actionnez le levier du cric pour soulever le bras de levage et alignez le manchon cannelé sur l'embrayage.
- Inclinez la plaque supérieure avec le boulon d'ajustement de l'inclinaison pour l'aligner sur l'alésage de l'embrayage. Faites entrer le manchon cannelé dans l'embrayage.
- Enlevez les boulons de fixation de l'embrayage et retirez le cric et l'embrayage en les éloignant du volant-moteur.

 **MISE EN GARDE** : Avant d'abaisser la charge, assurez-vous qu'il n'y a aucun outil ni aucune personne en dessous de celle-ci. **Ouvrez lentement la valve de purge!** Plus le bouton de la valve de purge est tourné dans le sens antihoraire, plus la charge descend rapidement. **Contrôlez en tout temps la vitesse à laquelle la charge s'abaisse!**

Déplacer un embrayage placé sur le cric

Assurez-vous que l'arbre de guidage est en position verticale et que le cric est abaissé au maximum avant de déplacer l'embrayage (voir figure 2).

Charger l'embrayage sur le cric et l'enlever

- Pour mettre l'embrayage sur le cric ou l'enlever, assurez-vous que l'arbre de guidage est en position verticale comme indiqué à la figure 2.
- Ajoutez ou enlevez une pièce de l'embrayage à la fois.

Installer un embrayage

- Soulevez l'embrayage et mettez-le en position horizontale pour l'installer et inclinez-le à l'aide du boulon d'ajustement de l'inclinaison pour l'aligner avec le volant-moteur
- Positionnez le cric et l'embrayage de façon à ce que l'arbre cannelé fasse entrer le palier guide dans le volant. Installez et serrez les boulons de fixation de l'embrayage en suivant les instructions du fabricant du véhicule.

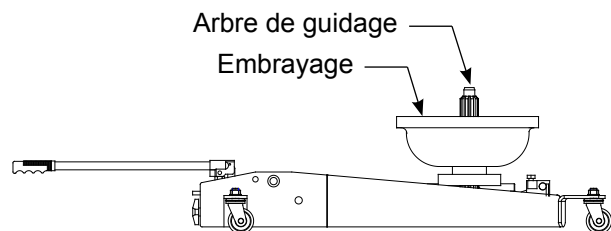


Figure 2 : Illustration de la position la plus basse lorsque le cric supporte un embrayage

FONCTIONNEMENT avec l'adaptateur optionnel pour volant-moteur

Installer l'adaptateur pour volant-moteur

1. Placez le cric à sa position la plus basse. Enlevez la goupille de déverrouillage, puis le manchon cannelé et l'arbre de guidage.
2. Installez l'assemblage de l'adaptateur pour volant-moteur, puis fixez-le à l'aide de la goupille de déverrouillage rapide.

Remarque : L'ensemble d'adaptateur pour volant-moteur comprend l'adaptateur, un arbre d'adaptateur plus court et un circlip (figure 3). N'utilisez l'arbre d'adaptateur plus court que sur l'adaptateur pour volant-moteur uniquement.

Enlever un volant-moteur

1. Enlevez tous les boulons de fixation du volant-moteur (les boulons qui fixent le volant-moteur à l'arbre à cames), à l'exception des trois boulons indiqués sur la figure 4.
2. Installez l'adaptateur pour volant-moteur comme montré à la figure 4. Fermez complètement le bouton de la valve de purge. Actionnez le levier du cric pour soulever le bras de levage et alignez l'adaptateur pour volant-moteur vis-à-vis du volant-moteur à l'aide du bouton d'ajustement de l'inclinaison.
3. Centrez l'adaptateur pour volant-moteur sur le volant et boulonnez l'adaptateur sur celui-ci. Conservez suffisamment d'espace pour avoir accès aux trois boulons de fixation du volant qui sont toujours sur ce dernier.

4. Assurez-vous que le bouton de la valve de purge du cric est bien serré, puis enlevez les trois derniers boulons.
5. Éloignez le cric et le volant-moteur du moteur, puis abaissez lentement le volant-moteur.
6. Pendant que le volant est supporté, retirez-le de l'adaptateur.

Charger un volant-moteur sur le cric et l'enlever

1. Pour mettre un volant-moteur sur le cric ou en retirer un, assurez-vous que le bras de levage du cric est à la position la plus basse.
2. Pendant que le volant est supporté, retirez-le de l'adaptateur.

Installer un volant-moteur

1. Fermez la valve de purge à l'aide du bouton, actionnez le levier du cric et soulevez le volant-moteur pour le mettre à la position indiquée sur la figure 4. Ajustez la position du volant-moteur avec le bouton d'ajustement de l'inclinaison pour l'aligner sur l'arbre à cames.
2. Installez et serrez les boulons de fixation.

Remarque : Serrez graduellement les boulons de fixation du volant-moteur. Chaque boulon devrait être serré « en croisé » au couple indiqué. Consultez le manuel d'entretien du véhicule pour connaître la séquence de serrage et le couple.

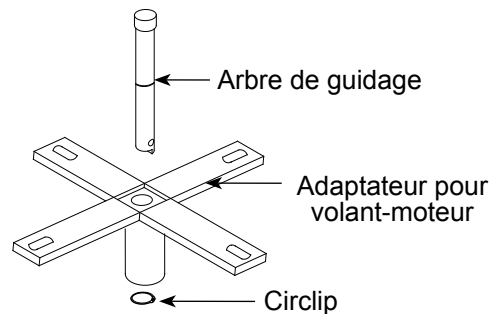


Figure 3 - Composants de l'adaptateur pour volant-moteur

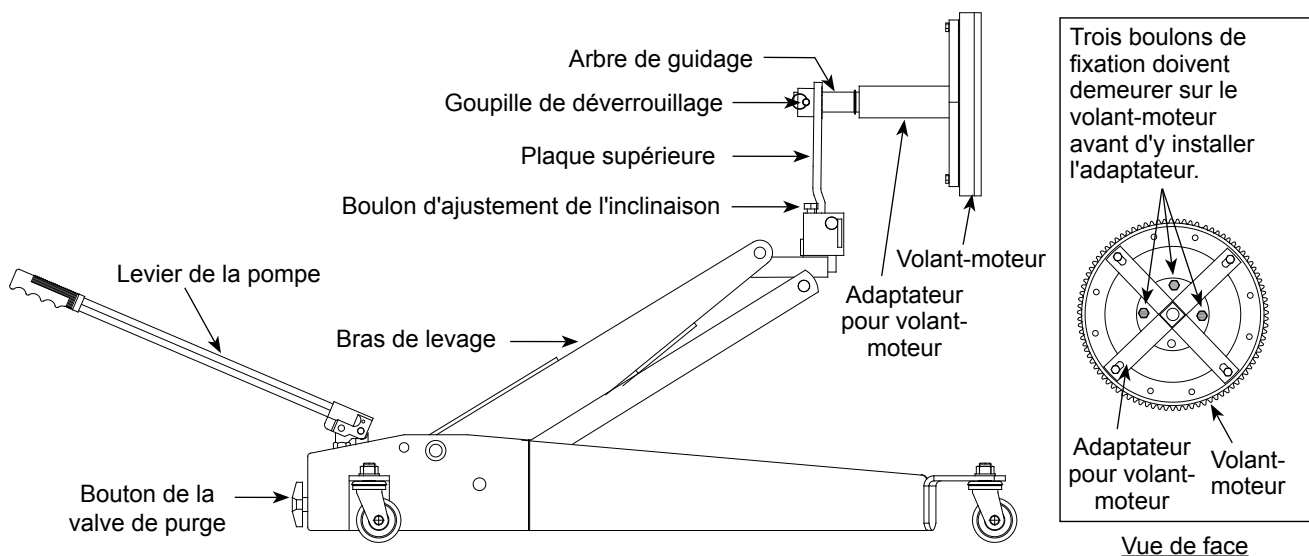


Figure 4 : Illustration d'utilisation de l'adaptateur pour volant-moteur

ENTRETIEN

Important : Utilisez seulement de l'huile pour cric hydraulique de bonne qualité. Évitez de mélanger différents types de liquides et N'UTILISEZ JAMAIS de liquide pour frein, d'huile de turbine, de liquide de transmission, d'huile moteur ou de glycérine. L'utilisation d'un liquide inapproprié peut entraîner une défaillance prématurée du cric et causer une chute potentielle soudaine et immédiate de charge. Il est recommandé d'utiliser de l'huile hydraulique pour cric de première qualité.

Ajouter de l'huile

1. Lorsque le point d'appui est à sa hauteur minimale, mettez le cric debout et à niveau. Trouvez et enlevez le bouchon du réservoir d'huile.
2. Mettez de l'huile jusqu'à ce que son niveau se trouve à environ 0,48 cm (3/16 po) au-dessus du cylindre intérieur, selon ce qui peut être observé à partir de l'orifice de remplissage. Remettez le bouchon.

Changer l'huile

Afin d'obtenir une performance et une durée de vie optimales, remplacez complètement l'huile au moins une fois par année.

1. Lorsque le point d'appui est à sa hauteur minimale, enlevez le bouchon du réservoir d'huile.

2. Posez le cric sur le côté et purgez le liquide en l'envoyant dans un contenant adéquat.

Remarque : Jetez l'huile hydraulique en respectant la réglementation locale.

3. Mettez de l'huile jusqu'à ce que son niveau se trouve à environ 0,48 cm (3/16 po) au-dessus du cylindre intérieur, selon ce qui peut être observé à partir de l'orifice de remplissage. Remettez le bouchon.

Lubrification

Une lubrification périodique des points de pivotement, des axes et des charnières faite avec de l'huile légère aide à prévenir la rouille et à assurer que les roues, les galets et les assemblages du levier bougent librement.

Nettoyage

Inspectez périodiquement le piston du levier et le vérin à piston plongeur pour voir s'il y a de la rouille ou de la corrosion. Nettoyez selon les besoins et essuyez avec un linge huileux.

Remarque : N'utilisez jamais de papier sablé ou de matériau abrasif sur ces surfaces!

Rangement

Lorsque le cric n'est pas utilisé, rangez-le après avoir descendu son point d'appui à la hauteur minimale.

DÉPANNAGE

Problème	Causes possibles	Mesure corrective
Le cric ne soulève pas la charge	<ul style="list-style-type: none">• La valve de purge n'est pas bien fermée• Charge trop pesante	<ul style="list-style-type: none">• Assurez-vous que la valve de purge est bien fermée.• Utilisez un cric à plus grande capacité.
Le cric soulève la charge, mais ne maintient pas la pression	<ul style="list-style-type: none">• La valve de purge n'est pas bien fermée• Défaillance du vérin hydraulique	<ul style="list-style-type: none">• Assurez-vous que la valve est bien fermée.• N'utilisez plus le cric et communiquez avec le représentant Omega de votre région ou visitez le site www.Omega.com pour connaître l'emplacement du détaillant Omega le plus près.
Le cric ne descend pas après avoir enlevé la charge	<ul style="list-style-type: none">• Trop de liquide hydraulique dans le réservoir.• Blocage des articulations	<ul style="list-style-type: none">• Assurez-vous que la charge est enlevée, puis purgez le liquide hydraulique pour qu'il soit au bon niveau.• Nettoyez les pièces mobiles et lubrifiez-les.
Performance de levage médiocre	<ul style="list-style-type: none">• Niveau de liquide bas• Air emprisonné dans le vérin	<ul style="list-style-type: none">• Assurez-vous que le niveau de liquide est adéquat.• Reportez-vous à la section « Purge de l'air emprisonné » à la page 11.
Le point d'appui ne s'élève pas au maximum	<ul style="list-style-type: none">• Niveau de liquide bas	<ul style="list-style-type: none">• Assurez-vous que le niveau de liquide est adéquat.

PIÈCES DE RECHANGE

(reportez-vous aux pages 14 et 15)

Ce ne sont pas tous les composants du cric qui peuvent être remplacés. Lorsque vous commandez des pièces, fournissez le numéro du modèle, le numéro de série et la description de la pièce. Pour connaître les prix actuels, appelez-nous ou écrivez-nous : SFA Companies 10939 N. Pomona Ave. Kansas City, MO 64153, É.-U., Courriel : sales@omegalift.com, Tél. : 1 888 332-6419, Téléc. : 1 816 891-6599, site Web de Omega : <http://www.omegalift.com>.

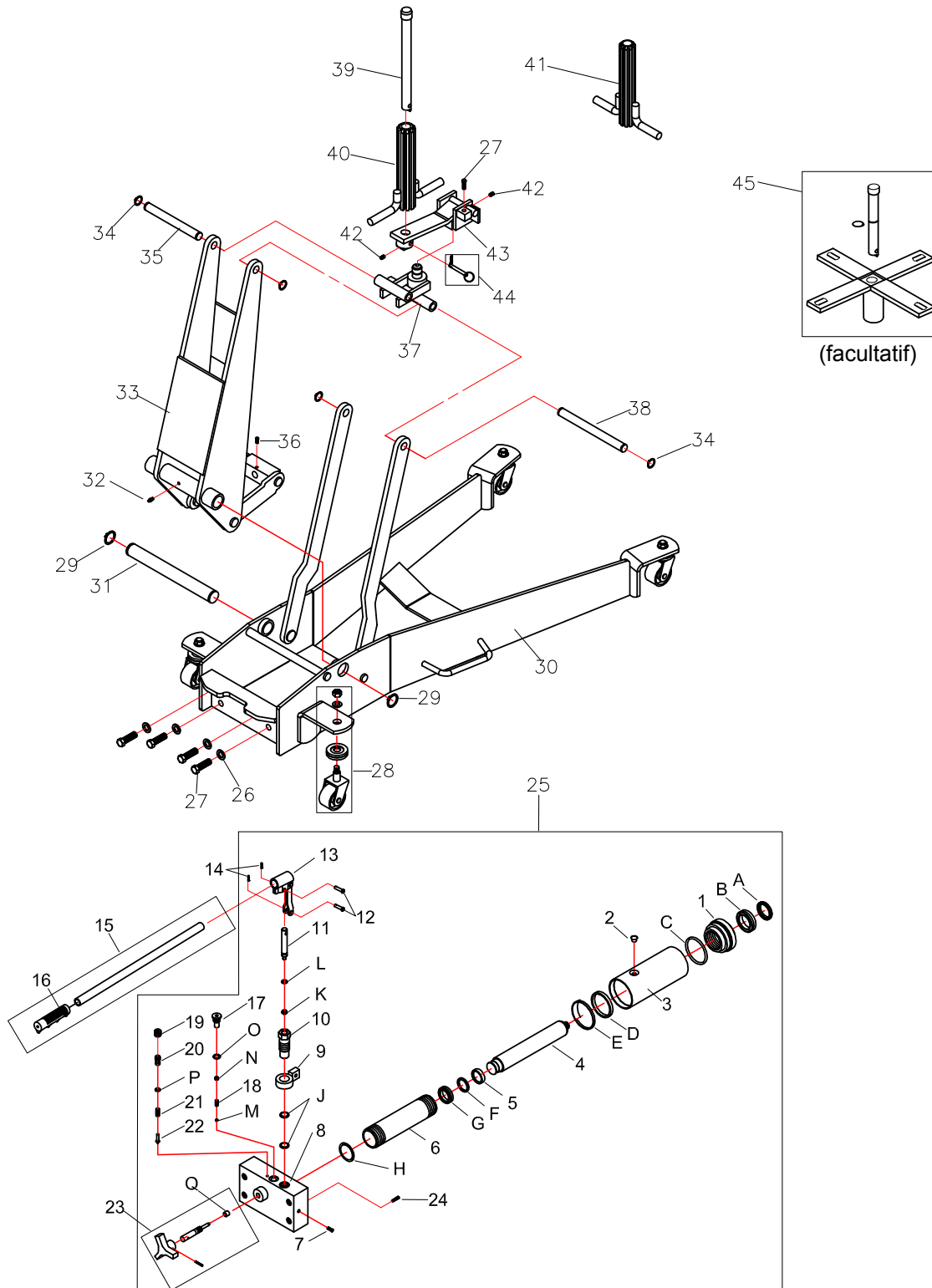


Figure 5 : Illustration des pièces de rechange du modèle 40500

Liste de pièces de rechange du modèle 40500

Art.	N° de pièce	Description	Qté
1	S.O.	Écrou supérieur	1
2	5905-00100-100	Bouchon du réservoir d'huile	1
3	S.O.	Réservoir	1
4	S.O.	Tige du piston	1
5	S.O.	Palier de vérin à piston plongeur	1
6	S.O.	Vérin	1
7	S.O.	Vis	1
8	S.O.	Base	1
9	4200-01006-000	Support de manchon de levier	1
10	4200-01002-000	Vérin de la pompe	1
11	4200-01401-000	Piston de la pompe	1
12	5405-07027-000	Goupille	2
13	4200-01300-000	Manchon du levier	1
14	S.O.	Goupille de retenue	2
15	4500-02000-000	Assemblage du levier	1
16	BL80-20002-000	Prise de la poignée	1
17	S.O.	Vis	1
18	S.O.	Ressort	1
19	S.O.	Vis	1
20	S.O.	Vis de sécurité de la valve	1
21	S.O.	Ressort de sécurité	1
22	S.O.	Aiguille	1
23	G410-90009-K02	Assemblage de la valve de purge	1
24	S.O.	Filtre	1
25	G410-70000-000	Vérin hydraulique	1
26	S.O.	Rondelle de blocage	4
27	5102-12035-000	Boulon	5
28	G410-90009-K01	Assemblage de roulette	4
29	S.O.	Bague élastique	2
30	S.O.	Boîtier	1
31	S.O.	Axe de bras de levage	1

Art.	N° de pièce	Description	Qté
32	5701-00006-000	Graisseur	1
33	S.O.	Bras de levage	1
34	S.O.	Bague élastique	4
35	S.O.	Axe de bras de levage	1
36	S.O.	Boulon	1
37	S.O.	Support de l'adaptateur pour manchon cannelé	1
38	S.O.	Tige de liaison parallèle	1
39	G410-00001-000	Arbre de guidage	1
40	G410-10000-000	Manchon cannelé de 5,08 cm (2 po)	1
41	G410-80000-000	Manchon cannelé de 4,45 cm (1-3/4 po)	1
42	S.O.	Boulon	2
43	G410-20000-000	Adaptateur pour manchon cannelé	1
44	G410-90009-K04	Goupille de déverrouill.	1
45	40501	Ass. de l'adaptateur pour volant-moteur	-
*	42000S-102	Trousse de joints (vérin hydraulique)	-

(*) Contenu de la trousse de joints :		
Article	Description	Qté
2	Bouchon du réservoir d'huile	1
A	Joint	1
B	Joint en coupelle	1
C	Joint torique	1
D	Anneau de rechange	1
E	Joint	1
F	Anneau de rechange	1
G	Joint en coupelle	1
H	Joint d'étanchéité en cuivre	1
J	Joint torique	2
K	Joint	1
L	Joint torique	1
M	Bille en acier	1
N	Bille en acier	1
O	Joint torique	1
P	Joint torique	1
Q	Joint pour huile	1

GARANTIE LIMITÉE DE 1 AN

Pendant une période d'un (1) an, à partir de la date d'achat, **SFA Companies** réparera ou remplacera, à sa discrétion, sans frais, tous ses produits qui, utilisés dans des conditions normales, sont défectueux à cause d'un défaut de matériel ou de fabrication. Cette garantie limitée est le seul recours du consommateur.

Pour bénéficier du service offert par la garantie, il faut retourner le produit couvert par celle-ci, port payé, à **SFA Companies** Warranty Service Department, 10939 N. Pomona Ave., Kansas City, MO 64153, États-Unis.

Sauf dans les cas où les limitations et les exclusions décrites dans ce paragraphe sont spécifiquement interdites par la loi : (1) LE SEUL RECOURS DU CONSOMMATEUR EST DE FAIRE RÉPARER OU REMPLACER LES PRODUITS DÉFECTUEUX COMME DÉCRIT CI-DESSUS; (2) **SFA Companies** NE SERA PAS TENUE RESPONSABLE DES DOMMAGES CONSÉCUTIFS OU INDIRECTS OU DE PERTES QUELCONQUES; (3) TOUTE GARANTIE IMPLICITE, CE QUI INCLUT SANS LIMITATION LES GARANTIES IMPLICITES DE COMMERCIALITÉ ET D'ADAPTATION À UN USAGE PARTICULIER, SERA LIMITÉE À UN AN, À DÉFAUT DE QUOI LA RÉPARATION, LE REMPLACEMENT OU LE REMBOURSEMENT, SELON CETTE GARANTIE EXPRESSE LIMITÉE, CONSTITUE LE SEUL RECOURS DU CLIENT, ET REMPLACE TOUTE AUTRE GARANTIE, IMPLICITE OU EXPRESSE; (4) TOUTE MODIFICATION, ALTÉRATION, UTILISATION ABUSIVE OU NON AUTORISÉE OU DÉCORATION ORNEMENTALE ANNULE CETTE GARANTIE ET N'EST PAS COUVERTE PAR CELLE-CI.

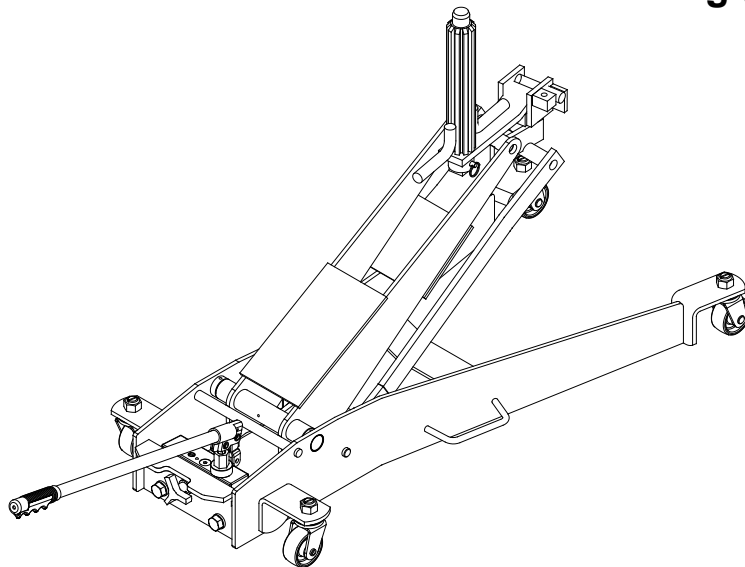
Certaines provinces et certains États ne permettent pas de limiter la durée d'une garantie implicite et il est donc possible que la limitation décrite ci-dessus ne s'applique pas. Certaines provinces et certains États ne permettent pas d'exclure ou de limiter les dommages consécutifs ou indirects et il est donc possible que la limitation ou l'exclusion mentionnée ci-dessus ne s'applique pas. Cette garantie vous confère des droits particuliers et il est aussi possible que vous puissiez jouir d'autres droits qui varient d'une province à l'autre et d'un État à l'autre.

OMEGALIFT™ EQUIPMENT

Manija del embrague y adaptador del volante

Modelo
40500
40501

Capacidad
227 kg (500 lb)
113 kg (250 lb)



Este es el símbolo de alerta de seguridad. Se usa para alertar sobre peligros potenciales de lesiones personales.

Obedezca todos los mensajes de seguridad que tengan este símbolo, para evitar posibles lesiones personales o la muerte.



ADVERTENCIA

Para evitar lesiones por opresión y otras lesiones:



NUNCA trabaje sobre, debajo o alrededor de una carga que solamente esté apoyada en un gato hidráulico. **SIEMPRE** use soportes para gato de capacidad nominal adecuada.

SFA Companies

<http://www.omegalift.com>

Lea este manual y respete todas las reglas de seguridad y las instrucciones de funcionamiento antes de usar este producto.

INFORMACIÓN GENERAL y DE SEGURIDAD

Conserve estas instrucciones. Para su seguridad, lea, comprenda y siga la información que viene con este gato antes de su uso. El propietario u operador de este equipo debe tener conocimientos sobre este gato y los procedimientos de funcionamiento seguro antes de intentar utilizarlo. El propietario y operador deben tener presente que el uso y la reparación de este producto podrían requerir habilidades y conocimientos especiales. Las instrucciones y la información de seguridad deben expresarse en la lengua materna del operador antes de recibir autorización para el uso de este gato. Si tiene dudas sobre el uso seguro y adecuado de este gato, proceda a sacarlo de servicio de inmediato.

Inspeccione el dispositivo antes de cada uso. No lo use si detecta que está roto, doblado, agrietado o tiene piezas dañadas. Debe sacar de servicio en forma inmediata todo gato que presente daños, de la naturaleza que fueren, o funcione mal. Si tiene la sospecha o la certeza de que el gato fue sometido a una carga de impacto (una carga arrojada repentina e inesperadamente sobre este), interrumpa su uso de inmediato hasta su revisión por parte de un centro de servicio de fábrica autorizado (comuníquese con el fabricante o el distribuidor para obtener una lista de los centros de servicio de fábrica autorizados). Se recomienda realizar una inspección anual a cargo de personal calificado. Las etiquetas y los manuales del operador están disponibles por parte del fabricante.

DESCRIPCIÓN DEL PRODUCTO

La manija del embrague está diseñada para quitar e instalar el embrague/volante. Uso específico: para quitar, instalar y trasladar (en la posición más baja) tanto embragues como volantes de 14" (35,56 cm) y 15-1/2" (39,37 cm). Los dos tamaños de portabarrenas más comunes, de 1-3/4" (4,45 cm) y 2" (5,08 cm) de diámetro, vienen incluidos con este producto. La placa superior permite colocar el embrague en posición horizontal para despejar la zona inferior al vehículo o vertical para la instalación y desinstalación. El manguito del portabarrenas se puede girar 360 grados de lado a lado e inclinar verticalmente para lograr una alineación precisa del embrague. El modelo 40501 está diseñado para usarse en conjunto con la manija del embrague Omega 40500 únicamente. Antes de usar, consulte la Figura 4 para cerciorarse de que todas las piezas estén incluidas.

⚠ ADVERTENCIA: NUNCA utilice este dispositivo para ningún otro fin diferente de aquellos que se describen anteriormente.

ESPECIFICACIONES

Modelo	Capacidad	Tamaño del gato (L x P)	Altura mín.	Altura máx.	Diámetro del portabarrenas	Diám. del eje piloto
40500	500 lb (227 kg)	44-1/2" x 22-1/2" (113,03 x 57,15 cm)	16-1/2" (41,91 cm)	42" (106,68 cm)	1-3/4" & 2" (4,45 y 5,08 cm)	1" (2,54 cm)

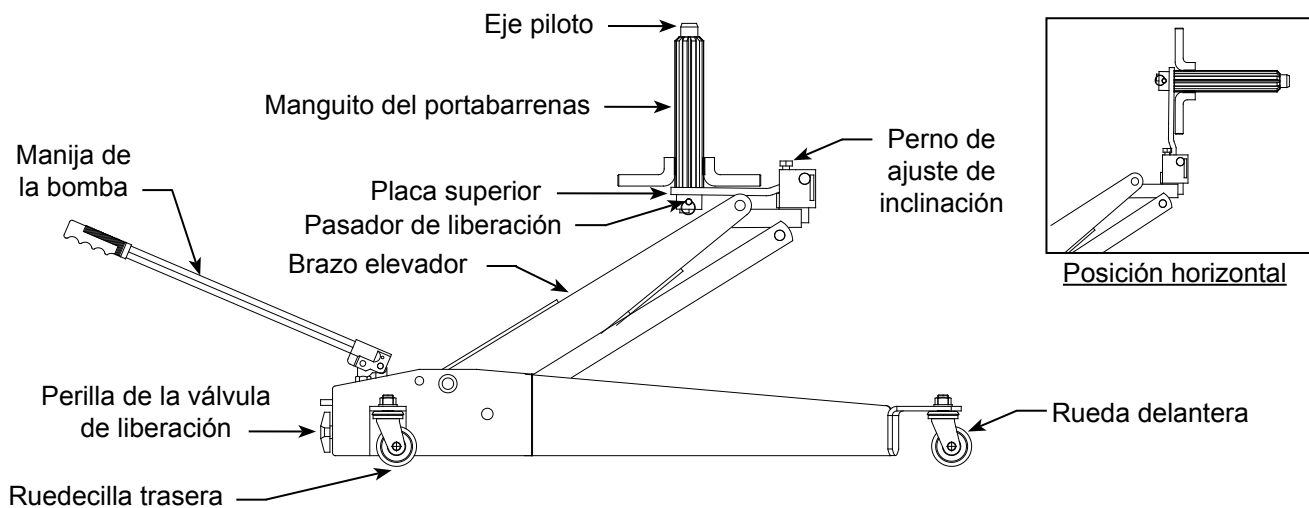


Figura 1: componentes del modelo 40500

PREPARACIÓN

1. Verifique que el producto y la aplicación sean compatibles; si tiene dudas, llame al Servicio técnico de Omega al (888) 332-6419.
2. Antes de usar este producto, lea todo el manual del operador; procure familiarizarse en forma completa con el producto y sus componentes, y reconocer los posibles peligros asociados a su uso.

PREPARACIÓN (cont.)

- Para familiarizarse con el funcionamiento básico, ubique y gire la perilla de la válvula de liberación (consulte la Figura 1):
 - A la derecha hasta que sienta una resistencia firme para continuar girando. Esta es la posición 'CERRADO' de la válvula de liberación que se usa para **levantar** el brazo elevador.
 - A la izquierda, pero no más de 1/2 giro con respecto a la posición de cerrado. Esta es la posición 'ABIERTO' de la válvula de liberación usada para **contraer** el brazo elevador.
- Una vez que el brazo elevador se haya contraído por completo y la válvula de liberación esté cerrada, bombee la manija de funcionamiento. Si el brazo elevador responde de inmediato, el gato está listo para ser usado. Si el gato no responde, abra la válvula de liberación y bombee de 6 a 8 recorridos completos para purgar el aire. Cierre la válvula de liberación y vuelva a verificar el funcionamiento.
- Asegúrese de que el gato se desplace libremente, y que la bomba y la válvula de liberación funcionen sin dificultades. Antes de poner en servicio, suba y baje el gato sin carga a lo largo de la distancia de elevación publicitada. Reemplace las piezas y los conjuntos desgastados o dañados solo con piezas de repuesto autorizadas de fábrica.

Purgado/descarga del aire atrapado

Coloque la válvula de liberación en la posición ABIERTO (3b.) y baje el asiento en forma completa; luego, ubique y retire el tapón/tornillo de llenado de aceite. Bombee de 6 a 8 recorridos completos. Esto ayudará a liberar el aire presurizado que pudiera estar atrapado dentro del depósito. Vuelva a colocar el tapón/tornillo de llenado de aceite.



ADVERTENCIA

- **Estudie, comprenda y siga** todos los materiales impresos que vienen con este producto antes de su uso.
- **No** exceda la capacidad establecida.
- Utilícelo únicamente sobre superficies duras y uniformes.
- No posicione ninguna parte de su cuerpo debajo del brazo elevador o carga mientras el gato está sosteniendo una carga.
- Solo deben utilizarse accesorios o adaptadores suministrados por el fabricante. Nunca utilice otra parte del gato como superficie elevadora.
- El uso de este gato está limitado a la instalación, la desinstalación y el transporte de embragues/volantes.
- Apoye el vehículo adecuadamente antes de comenzar las reparaciones.
- No deben hacerse modificaciones a este producto.
- Si no se respetan estas indicaciones, podrían producirse lesiones personales o daños a la propiedad.

FUNCIONAMIENTO

Cómo quitar el embrague

- Siga las instrucciones de los fabricantes del vehículo para quitar el embrague.
- Seleccione el tamaño correcto de manguito del portabarrenas. Coloque el portabarrenas en el eje del adaptador, luego sujételo a la placa superior con el pasador de liberación y el pasador de retención provistos.
- Cierre la válvula de liberación; para ello, apriete la perilla de la válvula de liberación. Bombee la manija para levantar el brazo elevador y alinee el manguito del portabarrenas con el embrague.
- Incline la placa superior con el perno de ajuste de inclinación para alinearla con el agujero del embrague. Deslice el manguito del portabarrenas dentro del embrague.
- Quite los pernos de montaje del embrague y coloque el gato y el embrague lejos del volante.



ADVERTENCIA: asegúrese de despejar el área de herramientas y operarios antes de bajar la carga. **Abra la válvula de liberación lentamente.** Cuanto más gire la perilla a la izquierda, más rápido descenderá la carga. **Mantenga el control de la velocidad a la que baja la carga en todo momento.**

Cómo trasladar el embrague sobre el gato

Asegúrese de que el eje del adaptador esté en posición vertical y que el gato esté completamente bajo antes del transporte, como se muestra en la Figura 2.

Carga de un embrague a un gato y descarga

- Para cargar un embrague al gato y descargarlo, asegúrese de que el eje del adaptador esté en posición vertical, como se muestra en la Figura 2.
- Añada o quite una parte del embrague a la vez.

Instalación de un embrague

- Coloque el embrague en la posición horizontal para la instalación e inclínelo con el perno de ajuste de inclinación para alinearlo con el volante.
- Coloque el gato y el embrague de manera que el eje del portabarrenas acople el rodamiento piloto al volante. Instale y ajuste los pernos de montaje del embrague consultando las instrucciones del fabricante del vehículo.

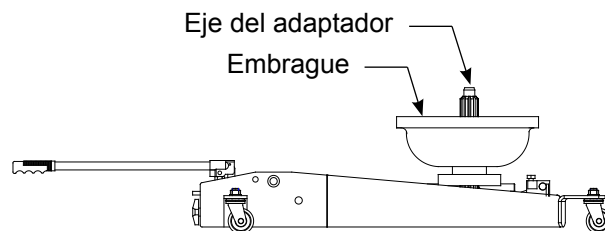


Figura 2: ilustración de la posición más baja con embrague

FUNCIONAMIENTO con Adaptador del volante adicional

Instale el adaptador del volante

1. Mantenga el gato en la posición más baja. Quite el pasador de liberación y luego quite el manguito del portabarrenas y el eje del adaptador.
2. Instale el conjunto de adaptador del volante, luego asegure el pasador de liberación rápida.

Nota: el conjunto del adaptador del volante incluye el adaptador del volante, un eje del adaptador más corto y un sujetador C (Fig. 3). Use el eje del adaptador más corto únicamente en el adaptador del volante.

Desinstalación de un volante

1. Quite todos los pernos que sujetan el volante (pernos del volante al eje de la manivela) excepto los tres pernos que están señalados en la Figura 4.
2. Instale el adaptador del volante como se muestra en la Figura 4. Cierre totalmente la perilla de la válvula de liberación. Bombeo la manija para levantar el brazo elevador y alinee el adaptador del volante con el volante utilizando el perno de ajuste de inclinación.
3. Centre el adaptador del volante en el volante y sujete con un perno el adaptador al volante. Deje espacio para acceder a los tres pernos restantes que sujetan el volante retenidos en el volante.

4. Asegúrese de que la perilla de la válvula de liberación del gato esté firmemente cerrada antes de quitar tres pernos restantes que sujetan el volante.
5. Coloque el gato y el volante lejos del motor y baje lentamente el volante.
6. Luego, mientras sujeta el volante, quite el volante del adaptador.

Carga de un volante a un gato y descarga

1. Para cargar el volante al gato o descargarlo, asegúrese de que el gato esté en la posición más baja.
2. Mientras sujeta el volante, quite el volante del adaptador.

Instalación del volante

1. Cierre la perilla de la válvula de liberación, bombee la manija y levante el volante a la posición que se muestra en la Figura 4 para la instalación. Ajuste el volante utilizando el perno de ajuste de inclinación para alinear el volante con el eje de la manivela.
2. Instale y apriete los pernos de sujeción.

Nota: ajuste gradualmente los pernos de sujeción del volante. Cada perno debe ajustarse a la torsión especificada en un método cruzado. Consulte el manual de servicio del vehículo para ver la secuencia y la torsión de ajuste.

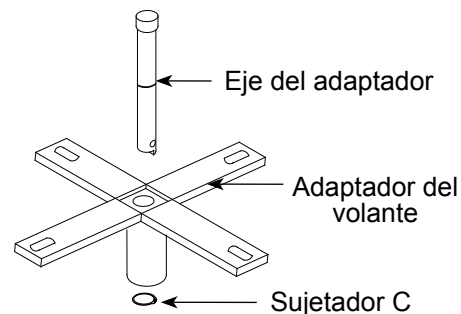


Figura 3: componentes del conjunto del adaptador de volante

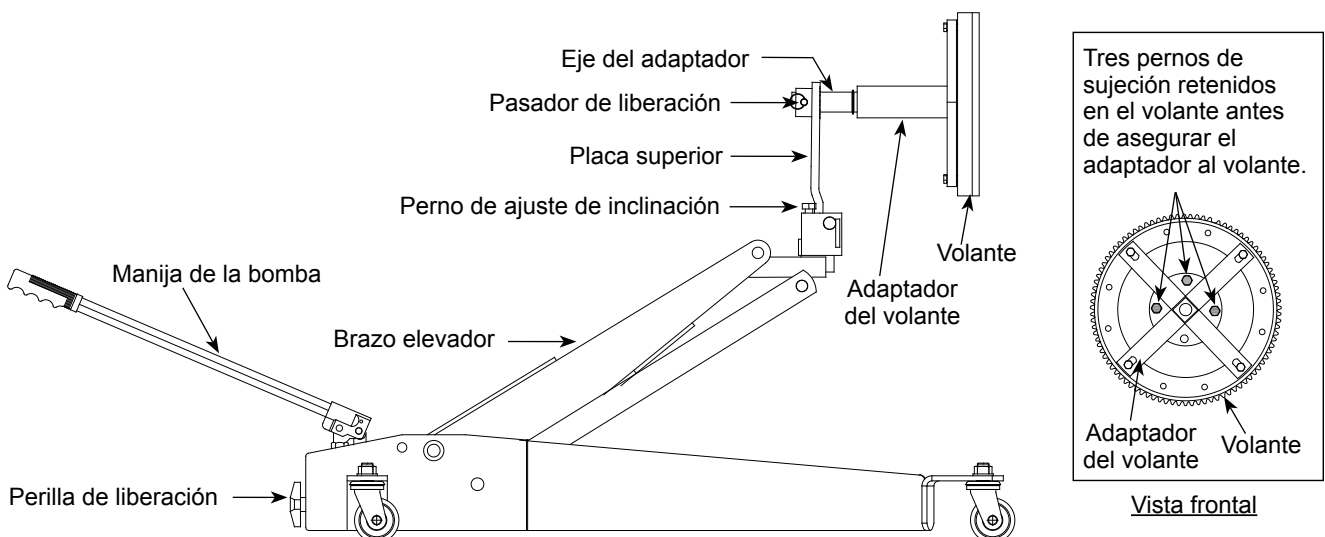


Figura 4: ilustración operativa del adaptador del volante

MANTENIMIENTO

Importante: use solo aceite para gatos hidráulicos de buena calidad. Evite mezclar diferentes tipos de líquidos y NUNCA use líquido de frenos, aceite de turbinas, líquido de transmisión, aceite de motor ni glicerina. El uso de un líquido inadecuado puede provocar fallas prematuras en el gato y posibles pérdidas de carga repentinas e inmediatas. Le recomendamos aceite para gatos hidráulicos de alta calidad.

Agregado de aceite

1. Una vez que el brazo elevador haya descendido por completo, coloque el gato en posición vertical y a nivel. Ubique y retire el tapón de llenado de aceite.
2. Llene con aceite hasta ~3/16" (0,48 cm) por encima del cilindro interno, según se observa desde el orificio de llenado de aceite. Vuelva a colocar el tapón de llenado de aceite.

Cambio de aceite

Para lograr el mejor rendimiento y una vida útil más prolongada, cambie el suministro completo de líquido por lo menos una vez al año.

1. Una vez que el brazo elevador haya descendido por completo, retire el tapón de llenado de aceite.

2. Coloque al gato de lado y descargue el líquido en un recipiente adecuado.

Nota: deseche el líquido hidráulico conforme a las reglamentaciones locales.

3. Llene con aceite hasta ~3/16" (0,48 cm) por encima del cilindro interno, según se observa desde el orificio de llenado de aceite. Vuelva a colocar el tapón de llenado de aceite.

Lubricación

La lubricación periódica con un aceite liviano en los puntos de giro, los ejes y las bisagras ayudará a evitar la corrosión y garantizará que los conjuntos de las ruedas, las ruedecillas y la bomba se muevan libremente.

Limpieza

Verifique periódicamente el pistón y el ariete de la bomba en busca de signos de oxidación o corrosión. Límpielos con un paño con aceite, según sea necesario.

Nota: nunca utilice lijas o materiales abrasivos en estas superficies.

Almacenamiento

Cuando no lo utilice, guarde el gato con el brazo elevador completamente contraído.

LOCALIZACIÓN Y SOLUCIÓN DE PROBLEMAS

Síntoma	Causas posibles	Medidas correctivas
El gato no levanta la carga.	<ul style="list-style-type: none"> • La válvula de liberación no está herméticamente cerrada. • La carga es demasiado pesada. 	<ul style="list-style-type: none"> • Asegúrese de que la válvula de liberación esté herméticamente cerrada. • Piense en la posibilidad de usar un gato de mayor capacidad.
El gato se eleva, pero no mantiene la presión.	<ul style="list-style-type: none"> • La válvula de liberación no está herméticamente cerrada. • La unidad hidráulica no funciona correctamente. 	<ul style="list-style-type: none"> • Asegúrese de que la válvula de liberación esté herméticamente cerrada. • Interrumpa el uso, llame a su representante local de Omega o visite el sitio www.Omega.com para hallar la tienda más cercana.
El gato no baja después de su descarga.	<ul style="list-style-type: none"> • El depósito está lleno en exceso. • El enlace está atascado. 	<ul style="list-style-type: none"> • Asegúrese de retirar la carga, luego descargue el líquido hasta el nivel adecuado. • Limpie y lubrique las piezas móviles.
La capacidad de elevación es deficiente.	<ul style="list-style-type: none"> • El nivel de líquido está bajo. • Hay aire atrapado en el sistema. 	<ul style="list-style-type: none"> • Asegúrese de que el nivel de líquido sea el adecuado. • Consulte la página 19, Purgado/descarga del aire atrapado.
El gato no se eleva al máximo de su capacidad.	<ul style="list-style-type: none"> • El nivel de líquido está bajo. 	<ul style="list-style-type: none"> • Asegúrese de que el nivel de líquido sea el adecuado.

PIEZAS DE REPUESTO

(consulte las páginas 22 y 23)

No todos los componentes del gato tienen reemplazo. Cuando realice el pedido de piezas, indique el número de modelo, el número de serie y la descripción de la pieza. Para obtener el precio vigente, comuníquese a: SFA Companies 10939 N. Pomona Ave. Kansas City, MO 64153 USA.; Correo electrónico: sales@omegalift.com; Tel.: (888) 332-6419; Fax: (816) 891-6599; Sitio web de Omega: <http://www.omegalift.com>

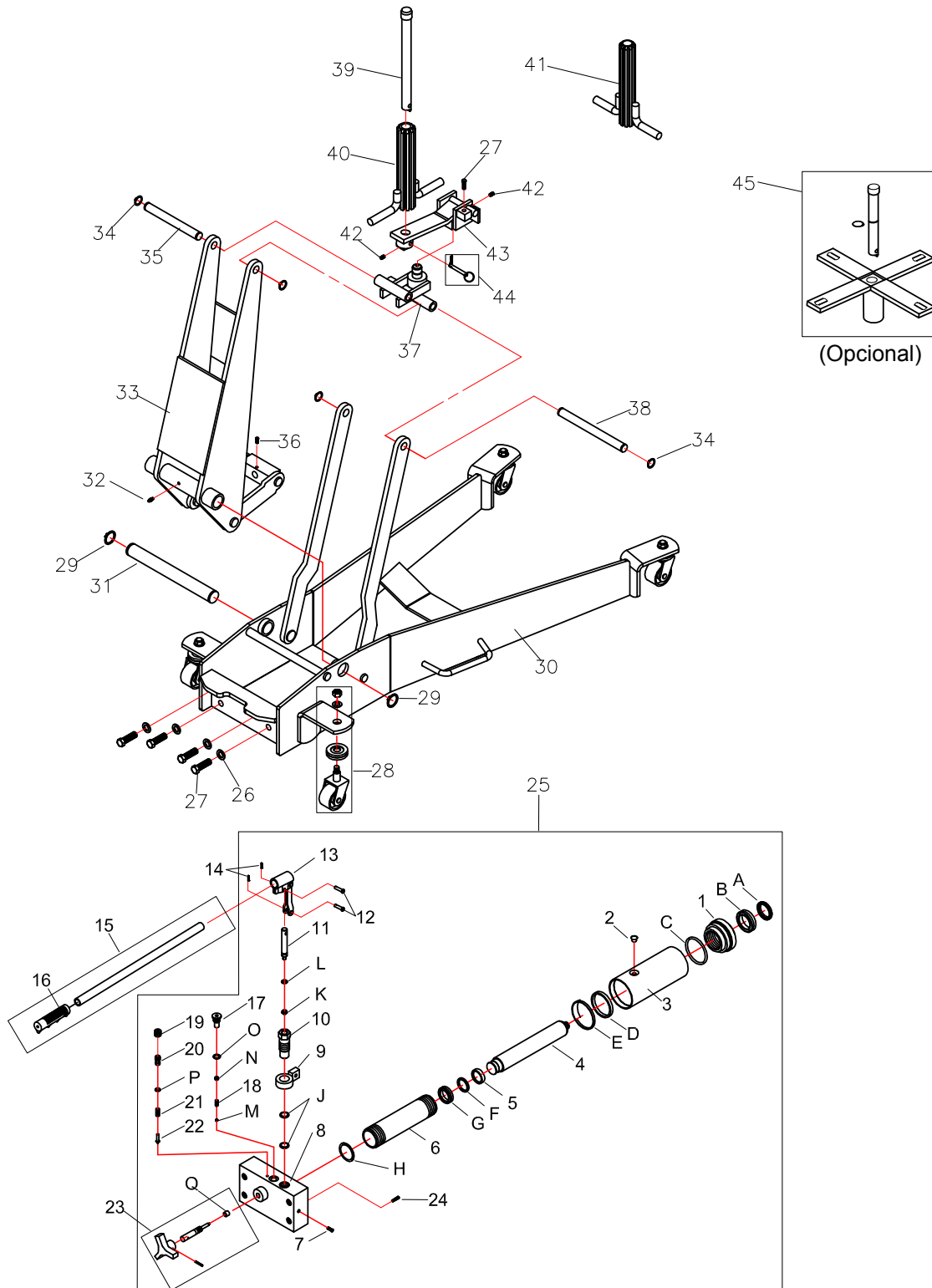


Figura 5: ilustración de piezas de repuesto para el modelo 40500

Lista de piezas de repuesto para el modelo 40500

Elem.	N.º de pieza	Descripción	Cant.	Elem.	N.º de pieza	Descripción	Cant.
1	N/D	Tuerca superior	1	34	N/D	Anillo a presión	4
2	5905-00100-100	Tapón de llenado	1	35	N/D	Eje del brazo elevador	1
3	N/D	Depósito	1	36	N/D	Perno	1
4	N/D	Biela del pistón	1	37	N/D	Asiento del adaptador del portabarrenas	1
5	N/D	Rodamiento del ariete	1	38	N/D	Eje del enlace paralelo	1
6	N/D	Cilindro	1	39	G410-00001-000	Eje piloto	1
7	N/D	Tornillo	1	40	G410-10000-000	Manguito del portabarrenas, 2" (5,08 cm)	1
8	N/D	Base	1	41	G410-80000-000	Manguito del portabarrenas, 1-3/4" (4,45 cm)	1
9	4200-01006-000	Asiento del manguito de la manija	1	42	N/D	Perno	2
10	4200-01002-000	Cilindro de la bomba	1	43	G410-20000-000	Adaptador del portabarrenas	1
11	4200-01401-000	Pistón de la bomba	1	44	G410-90009-K04	Pasador de liberación	1
12	5405-07027-000	Pasador	2	45	40501	Conj. del adaptador del volante	-
13	4200-01300-000	Manguito de la manija	1	*	42000S-102	Kit de aislamiento (unidad hidráulica)	-
14	N/D	Pasador de retención	2				
15	4500-02000-000	Conj. de la manija	1				
16	BL80-20002-000	Agarre de la manija	1				
17	N/D	Tornillo	1				
18	N/D	Resorte	1				
19	N/D	Tornillo	1				
20	N/D	Tornillo de la válvula de seguridad	1				
21	N/D	Resorte de seguridad	1				
22	N/D	Pinza	1				
23	G410-90009-K02	Conj. de la válvula de liberación	1				
24	N/D	Filtro	1				
25	G410-70000-000	Unidad hidráulica	1				
26	N/D	Arandela de seguridad	4				
27	5102-12035-000	Perno	5				
28	G410-90009-K01	Conj. de la ruedecilla	4				
29	N/D	Anillo a presión	2				
30	N/D	Chasis	1				
31	N/D	Eje del brazo elevador	1				
32	5701-00006-000	Accesorio de engrase	1				
33	N/D	Brazo elevador	1				

(*) Contenido del kit de aislamiento:

Elemento	Descripción	Cant.
2	Tapón de llenado	1
A	Sello	1
B	Copa en U	1
C	Junta tórica	1
D	Anillo de respaldo	1
E	Sello	1
F	Anillo de respaldo	1
G	Copa en U	1
H	Junta de cobre	1
J	Junta tórica	2
K	Sello	1
L	Junta tórica	1
M	Bola de acero	1
N	Bola de acero	1
O	Junta tórica	1
P	Junta tórica	1
Q	Sello de aceite	1

GARANTÍA LIMITADA DE UN AÑO

Por el período de un (1) año desde la fecha de compra, **SFA Companies** reparará o reemplazará, a su discreción, sin costo alguno, cualquier producto que presente fallas debido a defectos de materiales o mano de obra bajo condiciones normales de uso. Esta garantía limitada es un recurso exclusivo del consumidor.

El cumplimiento de toda obligación en virtud de esta garantía puede obtenerse con el envío del producto en garantía, con flete abonado en origen, a **SFA Companies** Warranty Service Department, 10939 N. Pomona Ave., Kansas City, MO 64153.

Salvo que tales limitaciones y exclusiones estén específicamente prohibidas por las leyes vigentes, (1) EL ÚNICO Y EXCLUSIVO RECURSO DEL CONSUMIDOR SERÁ LA REPARACIÓN O EL REEMPLAZO DE LOS PRODUCTOS DEFECTUOSOS, COMO SE DETALLA ARRIBA. (2) **SFA Companies** NO SERÁ RESPONSABLE, EN NINGÚN CASO, POR DAÑOS O PÉRDIDAS EMERGENTES O INCIDENTALES. (3) TODA GARANTÍA IMPLÍCITA, LO QUE INCLUYE, ENTRE OTRAS, LAS GARANTÍAS IMPLÍCITAS DE COMERCIALIZACIÓN Y APTITUD PARA FINES ESPECÍFICOS, ESTARÁ LIMITADA A UN AÑO; DE OTRO MODO, LA REPARACIÓN, EL REEMPLAZO O LA DEVOLUCIÓN DE DINERO CONFORME A ESTA GARANTÍA LIMITADA EXPRESA SERÁ EL EXCLUSIVO RECURSO DEL CONSUMIDOR, Y SE OFRECE EN LUGAR DE CUALQUIER OTRA GARANTÍA, EXPRESA O IMPLÍCITA. (4) CUALQUIER MODIFICACIÓN, ALTERACIÓN, USO INDEBIDO, SERVICIO NO AUTORIZADO O DISEÑO ORNAMENTAL ANULARÁ ESTA GARANTÍA Y NO ESTARÁ CUBIERTO POR ESTA GARANTÍA.

Algunos estados no permiten la limitación de la duración de las garantías implícitas, por lo que las limitaciones anteriores pueden no aplicarse en su caso. Algunos estados no permiten excluir o limitar los daños emergentes o incidentales, por lo tanto esta limitación o exclusión puede no ser aplicable en su caso. Esta garantía le otorga derechos legales específicos. Usted puede tener además otros derechos que varían de un estado a otro.