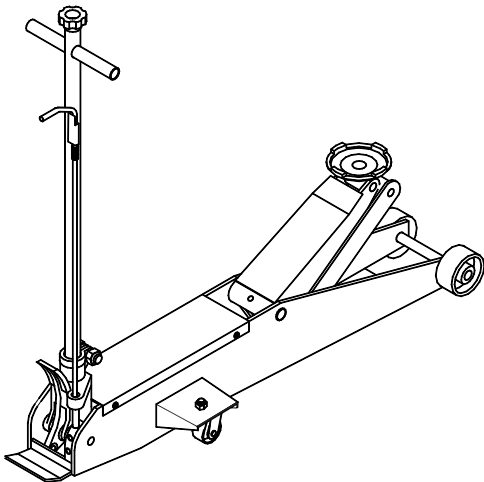


OMEGALIFT™ EQUIPMENT

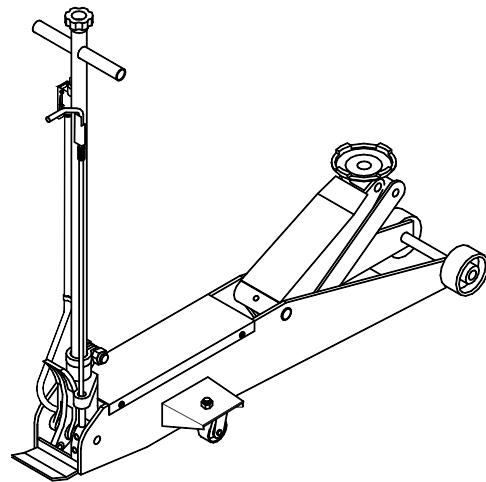
Long Chassis Hydraulic Service Jacks

Model
22050C, 22051C
22100C, 22101C

Capacity
5 Ton
10 Ton



Models 22050C & 22100C



Models 22051C & 22101C (Air Options)

U.S. Patent No's. 5,946,912 • 5,341,723



This is the safety alert symbol. It is used to alert you to potential personal injury hazards. Obey all safety messages that follow this symbol to avoid possible injury or death.

SFA Companies
<http://www.omegalift.com>

Read this manual and follow all the Safety Rules and Operating Instructions before using this product.

SAFETY AND GENERAL INFORMATION

Save these instructions. For your safety, read, understand, and follow the information provided with and on this device before using. The owner and/or operator shall have an understanding of the device, its operating characteristics and safety operating instructions before operating the equipment. The owner and/or operator shall be aware that use and repair of this product may require special skills and knowledge. Instructions and safety information shall be read to and discussed with the operator in the operator's native language, making sure that the operator comprehends their contents, before use of this equipment is authorized. If any doubt exists as to the safe and proper use of this device, remove from service immediately.

Inspect before each use. Do not use if abnormal conditions such as cracked welds, damaged, loose or missing parts are noted. Any equipment that appears damaged in any way, is found to be worn, or operates abnormally shall be removed from service until repaired. If the equipment has been or is suspected to have been subjected to an abnormal load or shock, immediately discontinue use until inspected by a factory authorized repair facility (contact distributor or manufacturer for list of authorized repair facilities). It is recommended that an annual inspection be made by an authorized repair facility. Labels and Operator's Manuals are available from the manufacturer.

PRODUCT DESCRIPTION

Omega Long Chassis Hydraulic Service Jacks are designed to lift, but not support, one end of a vehicle. Immediately after lifting, loads must be supported by a pair of appropriately rated jack stands. Air actuated function available for Models 22051C & 22101C. Air actuated units require at least 7.8 CFM @ 110 - 175 PSI. A minimum of 150 PSI air pressure is required to raise rated capacity load.

SPECIFICATIONS

Model	Capacity	Jack Size (L x W x H)	Min. Height	Max. Height	Saddle Dia.
22050C/22051C	5 Ton	57-3/4" x 17" x 7-5/8"	7"	27"	6-1/2"
22100C/22101C	10 Ton	54-3/4" x 20" x 12-3/4"	7"	27"	7-3/8"

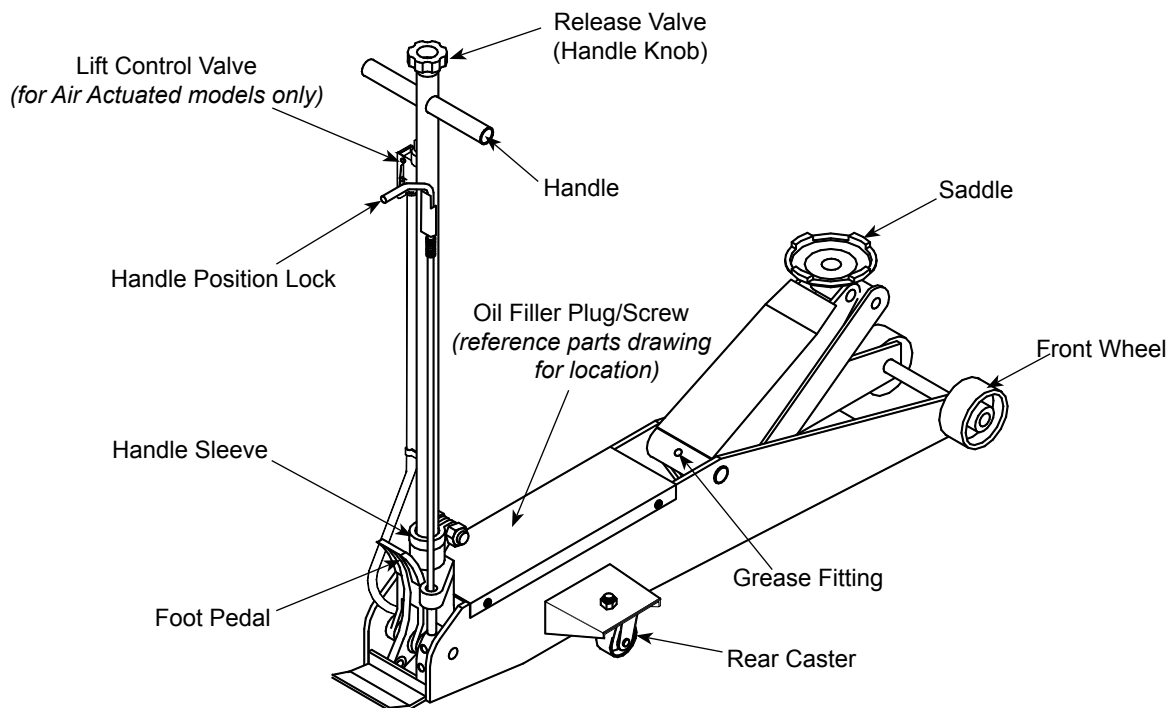


Figure 1 - Typical Long Chassis Jack Nomenclature (22051C shown)

PREPARATION

Assembly

Always secure the handle into the handle sleeve by means of the bolt lock washer and nut provided. Tighten securely to prevent accidental removal of handle while in use.

Before Use

1. Verify that the product and application are compatible, if in doubt call Omega Technical Service (888) 332-6419.
2. Before using this product, read the operator's manual completely and familiarize yourself thoroughly with the product, its components and recognize the hazards associated with its use.
3. To familiarize yourself with basic operation, turn the release valve (handle knob):
 - a. *Clockwise* until firm resistance is felt to further turning. This is the '**CLOSED**' release valve position used to raise the saddle.
 - b. *Counter-clockwise*, but no more than 1/2 turn from the closed position. This is the '**OPEN**' release valve position used to lower the saddle.
4. With saddle fully lowered and release valve fully closed, pump the operating handle. If lift arm responds immediately, jack is ready for use. If jack does not respond, follow **Bleeding/Venting Trapped Air** instruction below.
5. *For Air Operated models 22051C & 22101C*, Pour a teaspoon of good quality, air tool lubricant into the air supply inlet of the lift control valve. Connect to air supply and operate for 3 seconds to evenly distribute lubricant.

NOTICE: *Air Operated models are equipped with the popular 1/4" NPT air coupler. When installing a different air coupler of your choice, ensure that thread tape or compound is used when servicing connections. To ensure dependable, trouble free operation an in-line air dryer and oiler is recommended.*

6. Ensure that jack rolls freely. Raise and lower the unloaded saddle throughout the lifting range before putting into service to ensure the pump operates smoothly. Replace worn or damaged parts and assemblies with Omega authorized replacement parts only.

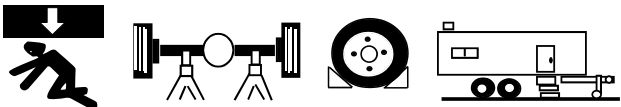
Bleeding/Venting Trapped Air

With the release valve in the OPEN position (Step 3b. above) and with saddle fully lowered, locate and remove the oil filler plug/screw. Pump 6 to 8 full strokes. This will help release any pressurized air which may be trapped within the reservoir. Proper oil level will vary from just covering the ram cylinder to 3/16" above it as seen from the oil filler hole. Reinstall the oil filler plug/screw.

⚠ WARNING

- Study, understand, and follow all instructions before operating this device.
- Do not exceed rated capacity.
- Use only on hard, level surface.
- Lifting device only. Immediately after lifting, support the vehicle with appropriate means.
- Do not move or dolly the vehicle while on the jack.
- Lift only on areas of the vehicle as specified by the vehicle manufacturer.
- No alterations shall be made to this product.
- Failure to heed these markings may result in personal injury and/or property damage.

⚠ WARNING



To avoid crushing and related injuries:

- Never work on, under or around a load supported only by hydraulic jack.
- Always use adequately rated jack stands.
- Chock each unlifted tire in both directions.
- Do not use this device to lift, level, lower, support nor move a house, mobile home, travel trailer, camper or any building structure.
- Be alert and sober when using this product. Do not operate under the influence of drugs or alcohol.

OPERATION

Lifting

⚠ WARNING: *Only attachments and/or adapters supplied by the manufacturer shall be used. Lift only on area of the vehicle as specified by the vehicle manufacturer.*

NOTICE: *These jacks are equipped with handle position locks. To adjust the handle, release lock device by pulling the lever up, then back until lever is locked into place.*

1. Follow the vehicle manufacturer's recommended guidelines for lifting. Engage the emergency brake and chock each unlifted wheel in both directions to prevent inadvertent vehicle movement.
2. Locate and close the release valve by turning the release valve knob clockwise until firm resistance is felt.
3. Refer to the vehicle manufacturer owner's manual to locate approved lifting points on the vehicle. Center jack saddle under lift point.
4. Verify lift point, then pump handle or foot pedal to contact lift point. To lift, pump handle or squeeze lift control valve (Models 22051C & 22101C) until load reaches desired height. **Never** use foot pedal to raise load.

⚠ WARNING: *Do not wire, clamp or otherwise disable the lift control valve to function by other than operator's hand.*

5. Transfer the load to appropriately rated jack stands.

Lowering

⚠ WARNING: *Clear all tools and personnel before lowering load. Open the release valve slowly. The further the release valve knob is turned counter-clockwise, the faster the load will descend. Maintain control of the load at all times.*

1. Raise load high enough to clear the jack stands.
2. Remove jack stands.
3. Turn the release valve knob counter-clockwise, but no more than 1/2 full turn. *If the load fails to lower:*
 - a. Use another jack to raise the vehicle high enough to reinstall jack stands.
 - b. Remove the malfunctioning jack and then the jack stands.
 - c. Use the functioning jack to lower the vehicle.
4. Remove jack from under vehicle and fully lower the saddle to reduce ram exposure to rust and contamination.

MAINTENANCE

NOTICE: *Use good quality hydraulic jack oil. Avoid mixing different types of fluid and Never use brake fluid, turbine oil, transmission fluid, motor oil or glycerin. Improper fluid can cause failure of the jack and the potential for sudden and immediate loss of load. Premium quality hydraulic jack oil is recommended.*

Adding oil

1. With saddle fully lowered set jack in its upright, level position. Locate and remove oil filler plug/screw.
2. Fill with oil until ~3/16" above the inner cylinder as seen from the oil filler hole. Reinstall the oil filler plug/screw.

Changing oil

For best performance, completely replace fluid supply at least once per year.

1. With saddle fully lowered, remove the oil filler plug/screw.
2. Lay the jack on its side and drain the fluid into a suitable container.

NOTICE: *Dispose of hydraulic fluid in accordance with local environmental regulations.*

3. Fill with oil until ~3/16" above the inner cylinder as seen from the oil filler hole. Reinstall the oil filler plug/screw.

Lubrication

A periodic coating of light lubricating oil to pivot points and hinges, and applying grease to the lift arm and wheel fittings, will help to prevent rust and assure that wheels, casters and pump assemblies move freely. To help ensure trouble free operation, an in-line air dryer and oiler is recommended.

Cleaning

Periodically check the pump piston and ram for signs of rust or corrosion. Clean as needed and wipe with an oily cloth.

NOTICE: *Do not use sandpaper or abrasive material on ram and pump piston surfaces.*

Storage

When not in use, store the jack with saddle fully lowered.

TROUBLESHOOTING

Symptom	Possible Causes	Corrective Action
Jack will not lift load	<ul style="list-style-type: none">• Release valve not tightly closed• Overload condition• Air pressure inadequate	<ul style="list-style-type: none">• Ensure release valve tightly closed• Remedy overload condition• Ensure adequate air pressure
Jack will lift, but not maintain pressure	<ul style="list-style-type: none">• Release valve not tightly closed• Hydraulic unit malfunction	<ul style="list-style-type: none">• Ensure release valve tightly closed• Discontinue use, contact Omega technical service
Jack will not lower after unloading	<ul style="list-style-type: none">• Reservoir overfilled• Linkages binding• Fluid level low	<ul style="list-style-type: none">• Drain fluid to proper level• Clean and lubricate moving parts• Ensure proper fluid level
Poor lift performance	<ul style="list-style-type: none">• Fluid level low• Air trapped in system	<ul style="list-style-type: none">• Ensure proper fluid level• Follow Bleeding/Venting Trapped Air procedure on page 3
Will not lift to full extension	<ul style="list-style-type: none">• Fluid level low	<ul style="list-style-type: none">• Ensure proper fluid level

REPLACEMENT PARTS

(refer to page 6 thru 9)

Not all components of the jack are replacement items, but are illustrated as a convenient reference of location and position in the assembly sequence. When ordering parts, give Model number, serial number and parts description. Call or write for current pricing: SFA Companies, 10939 N. Pomona Ave. Kansas City, MO 64153, U.S.A. Tel:(888)332-6419; Fax:(816)891-6599; e-mail: sales@omegalift.com Omega Website: <http://www.omegalift.com>

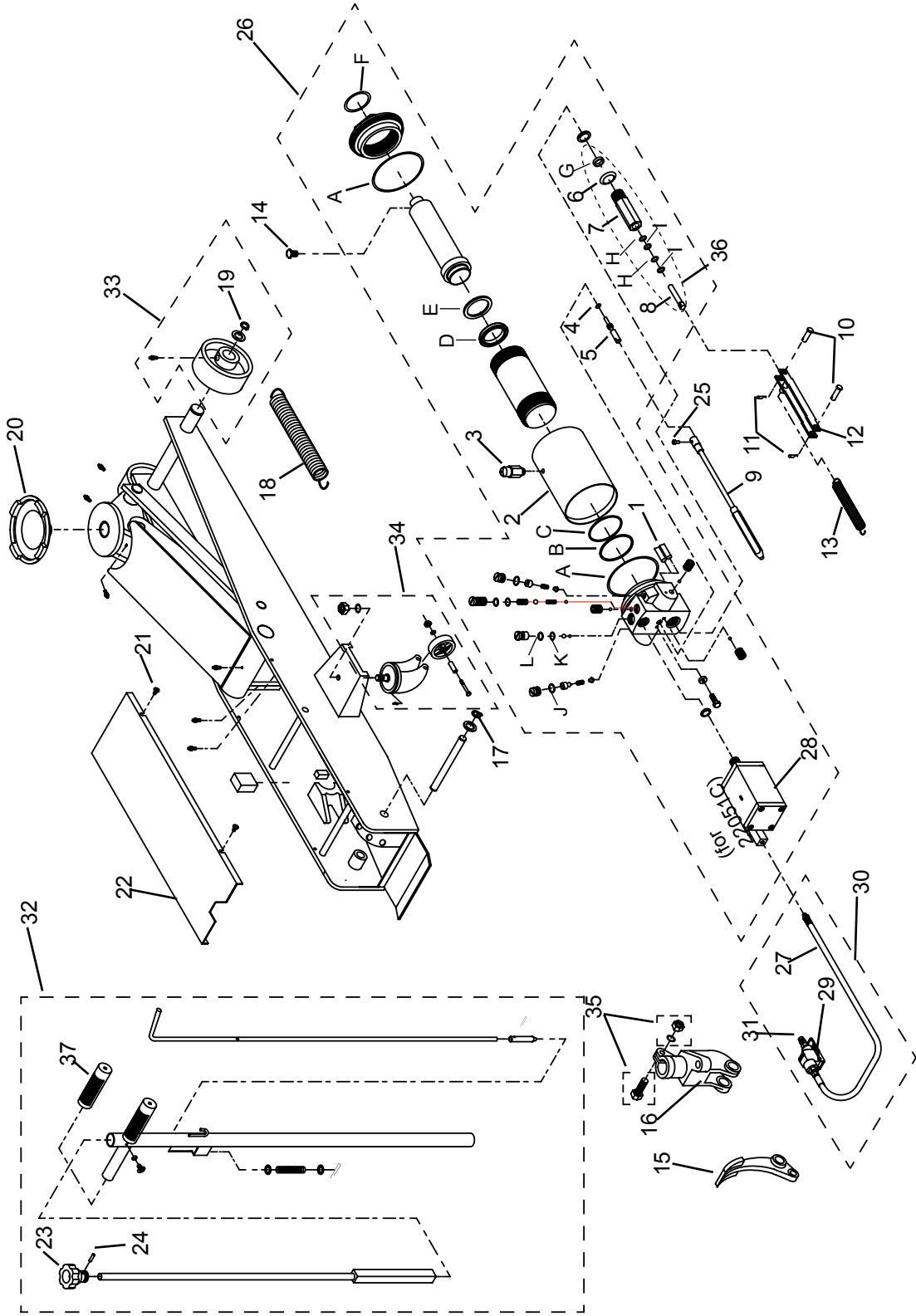


Figure 2 - Replacement Parts Illustration for Model 22050C & 22051C

Item	Part No. for 22050C	Part No. for 22051C	Description	Qty
1		G251-20008-000	Filter	2
2		G250-20002-000	Reservoir	1
3		G62S-03300-200	Filler Plug	1
4		5901-00071-000	O-ring, D7.1x2.65	1
5		G250-20004-000	Release Valve	1
6		B300-14002-000	Washer	1
7		G651-31002-000	Pump Cylinder	1
8		G651-31001-000	Pump Piston	1
9		G100-90049-K01	Release Cable	1
10		5405-12036-000	Pin	2
11		5405-02028-000	Retaining Pin	2
12		G250-50000-000	Piston Link	1
13		G251-00004-000	Return Spring, Pedal	1
14		5110-06016-000	Screw	1
15		G251-00009-000	Foot Pedal	1
16		G251-00010-000	Handle Fork	1
17		5304-00018-000	Snap Ring	2
18		G251-00003-000	Return Spring	2
19		5304-00028-000	Snap Ring	2
20		G25X-00001-000	Saddle	1
21		5110-06010-000	Screw, Phillips	4
22		G25X-00003-000	Cover	1
23		G251-40001-000	Knob	1
24		5402-04028-000	Spring Pin	1
25		5105-05012-000	Screw	1
26	G250-02000-000	G250-90000-000	Hyd Power Unit	1
27	N/A	A240-02100-000	Air Hose	1
28		G240-01000-000	Air Motor	1
29		A240-02200-000	Lift Control Valve	1
30		A190-01000-000	Hose Assembly	1
31		A20060-0016	Quick coupler, Male	1
32		G25X-90009-K03	Handle Assembly	1
33		G250-90004-K01	Front Wheel Assembly	2
34		G250-90004-K02	Caster Assembly	2
35		G250-90009-K03	Bolt Assembly	1
36		G651-31000-000	Pump Assembly	1
37		G251-00007-000	Handle Grip	2
-		G2506S-091 (includes A to L)	Seal Kit for Hyd Unit	1
-	N/A	G250-90009-K04	Seal Kit for Air Motor	1
-		G831-03210-000	Piston for Air Motor	1

Seal Kit (G2506S-091) Contents

Item	Description	Qty
A	O-ring, D112 x 4	2
B	O-ring, D73.8 x 3.5	1
C	Back-up Washer	1
D	U-cup	1
E	Back-up Washer	1
F	O-ring, D53 x 5	1

Item	Description	Qty
G	Packing	1
H	O-ring, D15 x 2.65	2
I	Back-up Washer	2
J	O-ring, D8.2 x 2.4)	1
K	O-ring, D14 x 2.65	1
L	Back-up Washer	1

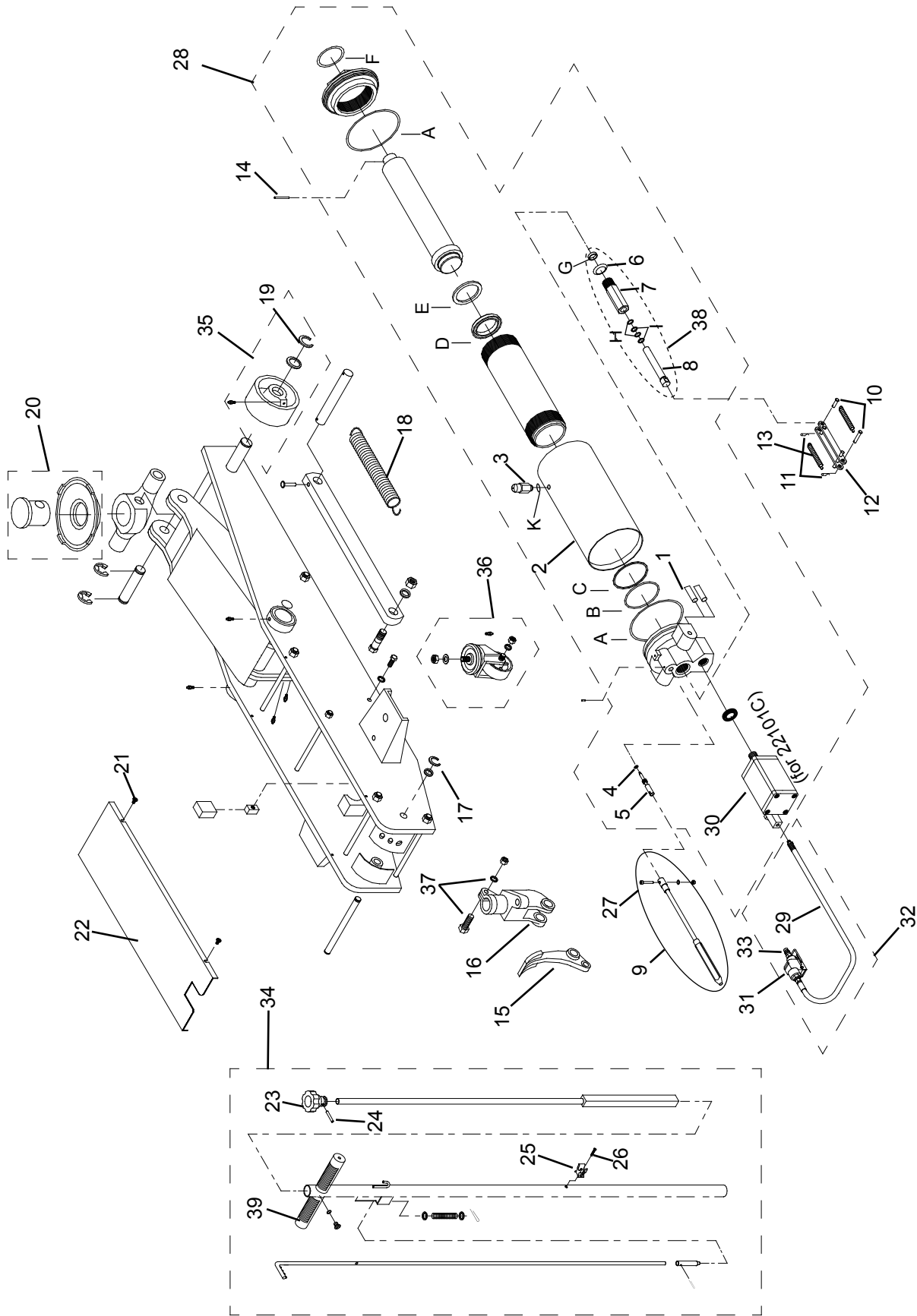


Figure 3 - Replacement Parts Illustration for Model 22100C & 22101C

Item	Part No. for 22100C	Part No. for 22101C	Description	Qty
1		G251-20008-000	Filter	2
2		G100-40003-000	Reservoir	1
3		G62S-03301-000	Filler Screw	1
4		5901-00071-000	O-ring, D7.1 x 2.65	1
5		G251-20004-000	Release Valve	1
6		B300-14002-000	Washer	1
7		G651-31002-000	Pump Cylinder	1
8		G651-31001-000	Pump Piston	1
9		G100-90049-K01	Release Cable	1
10		5405-12039-000	Pin	2
11		5405-02028-000	Retaining Pin	2
12		G100-70000-000	Piston Link	1
13		G100-00015-000	Return Spring, Pedal	2
14		5402-05025-000	Pin	1
15		G251-00009-000	Foot Pedal	1
16		G251-00010-000	Handle Fork	1
17		5304-00018-000	Snap Ring	2
18		G100-00014-000	Return Spring	1
19		5305-00024-000	Snap Ring	2
20		G100-90049-K02	Saddle Assy	1
21		5111-55022-000	Screw, Phillips	4
22		G100-00016-000	Cover	1
23		G251-40001-000	Knob	1
24		5402-04028-000	Spring Pin	1
25	N/A	A070-40009-000	Hose clip	1
26		5110-04012-000	Screw, Phillips	1
27		5110-05025-000	Screw	1
28	G100-90009-K06	G100-90009-K05	Hyd Power Unit	1
29	N/A	A240-02100-000	Air Hose	1
30		G240-01000-000	Air Motor	1
31		A240-02200-000	Lift Control Valve	1
32		A190-01000-000	Hose Assembly	1
33		A20060-0016	Quick coupler, Male	1
34		G100-90009-K01	Handle Assembly	1
35		G100-90004-K02	Front Wheel Assembly	2
36		G661-90038-K03	Caster Assembly	2
37		G250-90009-K03	Bolt Assembly	1
38		G651-31000-000	Pump Assembly	1
39		G251-00007-000	Handle Grip	2
-		G1006S-126	Seal Kit for Hyd Unit	1
-	N/A	G250-90009-K04	Seal Kit for Air Motor	1
-		G831-03210-000	Piston for Air Motor	1

ONE YEAR LIMITED WARRANTY

For a period of one (1) year from date of purchase, **SFA Companies** will repair or replace, at its option, without charge, any of its products which fails due to a defect in material or workmanship under normal usage. This limited warranty is a consumer's exclusive remedy.

Performance of any obligation under this warranty may be obtained by returning the warranted product, freight prepaid, to **SFA Companies** Warranty Service Department, 10939 N. Pomona Ave., Kansas City, MO 64153.

Except where such limitations and exclusions are specifically prohibited by applicable law, (1) THE CONSUMER'S SOLE AND EXCLUSIVE REMEDY SHALL BE THE REPAIR OR REPLACEMENT OF DEFECTIVE PRODUCTS AS DESCRIBED ABOVE. (2) **SFA Companies** SHALL NOT BE LIABLE FOR ANY CONSEQUENTIAL OR INCIDENTAL DAMAGE OR LOSS WHATSOEVER. (3) ANY IMPLIED WARRANTIES, INCLUDING WITHOUT LIMITATION THE IMPLIED WARRANTIES OF MERCHANTABILITY AND FITNESS FOR A PARTICULAR PURPOSE, SHALL BE LIMITED TO ONE YEAR, OTHERWISE THE REPAIR, REPLACEMENT OR REFUND AS PROVIDED UNDER THIS EXPRESS LIMITED WARRANTY IS THE EXCLUSIVE REMEDY OF THE CONSUMER, AND IS PROVIDED IN LIEU OF ALL OTHER WARRANTIES, EXPRESS OR IMPLIED. (4) ANY MODIFICATION, ALTERATION, ABUSE, UNAUTHORIZED SERVICE OR ORNAMENTAL DESIGN VOIDS THIS WARRANTY AND IS NOT COVERED BY THIS WARRANTY.

Some states do not allow limitations on how long an implied warranty lasts, so the above limitation may not apply to you. Some states do not allow the exclusion or limitation of incidental or consequential damages, so the above limitation or exclusion may not apply to you. This warranty gives you specific legal rights, and you may also have other rights which vary from state to state.

OMEGALIFT[™]
EQUIPMENT

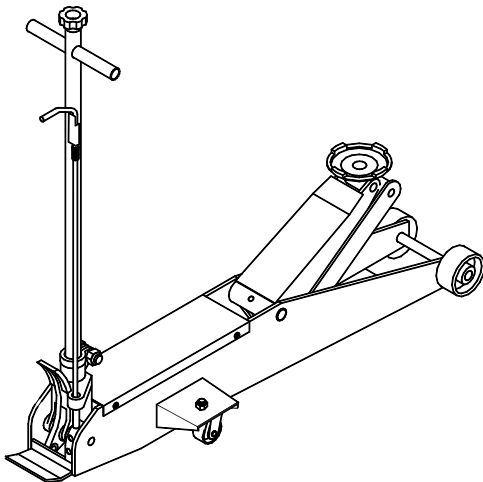
SFA Companies
10939 N. Pomona Ave. Kansas City, MO 64153, U.S.A.
Tel:(888)332-6419 Fax:(816)891-6599
e-mail:sales@omegalift.com
Omega Website: <http://www.omegalift.com>

OMEGALIFT™ EQUIPMENT

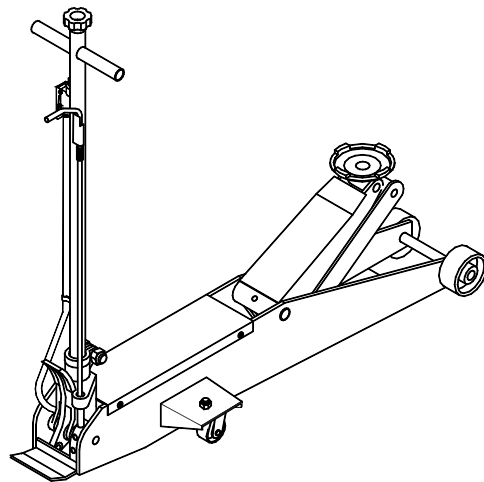
Crics hydrauliques d'entretien à long bâti

Modèles
22050C, 22051C
22100C, 22101C

Capacité
4 535 kg (5 tonnes américaines)
9 071 kg (10 tonnes américaines)



Modèles 22050C et 22100C



Modèles 22051C et 22101C
(Options d'équipement pneumatique)

Brevets américains n°s 5 946 912 et 5 341 723



Voici le symbole signalant un danger pour la sécurité. Il est utilisé pour vous alerter des dangers potentiels de blessures.

Respectez tous les messages de sécurité qui suivent ce symbole afin d'éviter les blessures et la mort.

SFA Companies
<http://www.omegalift.com>

Lisez ce manuel et observez toutes les consignes de sécurité et d'utilisation avant d'utiliser ce produit.

INFORMATIONS GÉNÉRALES ET INFORMATIONS RELATIVES À LA SÉCURITÉ

Conservez ces instructions. Pour votre sécurité, lisez, comprenez et respectez toutes les consignes fournies avec cet appareil ou se trouvant sur celui-ci avant de l'utiliser. Le propriétaire, ainsi que l'utilisateur, doit comprendre le fonctionnement de l'appareil, ses caractéristiques de fonctionnement et les consignes de sécurité associées à son utilisation avant de s'en servir. Ces personnes doivent aussi savoir que, pour utiliser ou réparer ce produit, il peut être nécessaire d'avoir des connaissances ou des habiletés spéciales. Avant que l'utilisation de cet appareil ne soit autorisée, il faut lire, dans la langue maternelle de l'opérateur, les instructions et les informations relatives à la sécurité pour qu'il en prenne connaissance et discuter de celles-ci avec lui, de manière à s'assurer qu'il les comprend. S'il y a des doutes quant à la façon adéquate et sécuritaire de se servir de l'appareil, il faut en cesser l'utilisation immédiatement.

Inspectez avant chaque utilisation. N'utilisez pas l'appareil s'il est dans un état anormal, comme lorsqu'il y a des soudures fissurées, des dommages ou des pièces manquantes ou mal fixées. Tout appareil qui semble être endommagé d'une quelconque façon, est usé ou fonctionne de manière anormale ne doit plus être utilisé jusqu'à ce qu'il soit réparé. Si le cric a été soumis ou s'il y a des raisons de croire qu'il a été soumis à une charge ou à un choc anormal, cessez de l'utiliser immédiatement jusqu'à ce qu'il soit inspecté à un centre de réparation autorisé par le fabricant (communiquez avec le distributeur ou le fabricant pour avoir une liste des endroits autorisés). Il est recommandé qu'une inspection annuelle soit faite à un centre autorisé. Il est possible de se procurer d'autres étiquettes et d'autres manuels auprès du fabricant.

DESCRIPTION DU PRODUIT

Les crics hydrauliques d'entretien à long bâti Omega sont conçus pour soulever, et non supporter, une extrémité de véhicule. Les charges doivent être supportées par une paire de béquilles de cric à capacité nominale adéquate immédiatement après le levage. Les modèles 22051C et 22101C peuvent être commandés à l'aide d'équipement pneumatique. Ces modèles ont besoin d'un débit de 0,22 m³/min à une pression allant de 758 à 1 206 kPa (7,8 pi³/min pour une pression de 110 à 175 lb/po²). Une pression minimale d'air de 1 034 kPa (150 lb/po²) est requise pour soulever une charge égale à la capacité nominale.

SPÉCIFICATIONS

Modèles	Capacité	Dimensions du cric (L x l x h)	Hauteur min.	Hauteur max.	Diamètre du point d'appui
22050C/22051C	4 535 kg (5 t. amér.)	146,69 x 43,18 x 19,37 cm (57-3/4 x 17 x 7-5/8 po)	17,78 cm (7 po)	68,58 cm (27 po)	16,51 cm (6-1/2 po)
22100C/22101C	9 071 kg (10 t. amér.)	139,07 x 50,08 x 32,39 cm (57-3/4 x 20 x 7-5/4 po)	17,78 cm (7 po)	68,58 cm (27 po)	18,73 cm (7-3/8 po)

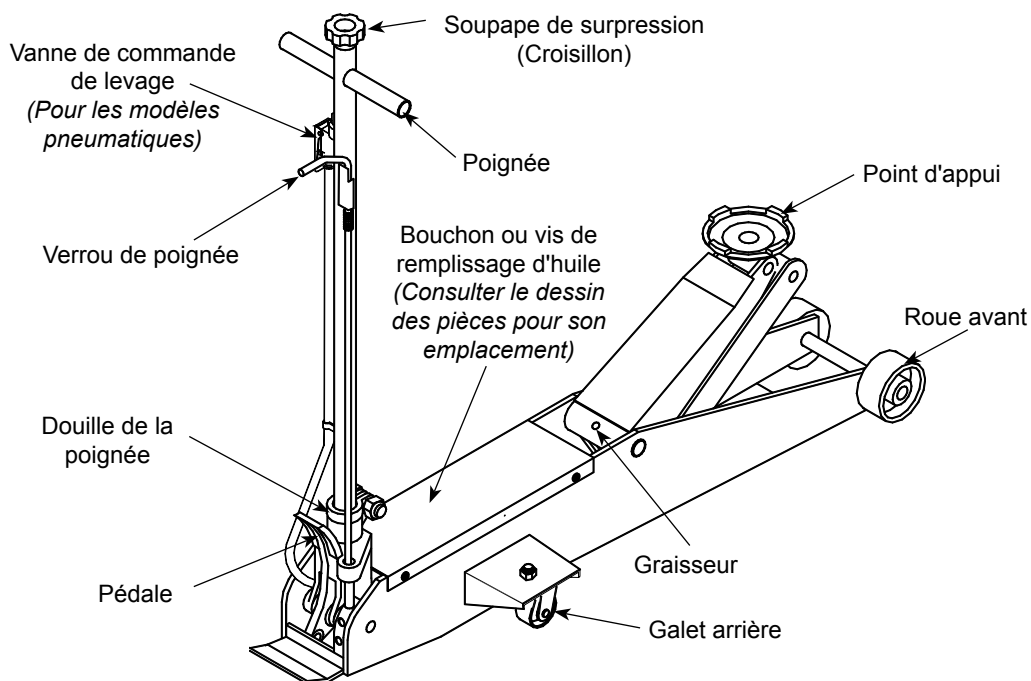


Figure 1 : Pièces d'un cric hydraulique à long bâti typique (modèle 22051C)

PRÉPARATION

Assemblage

Fixez toujours la poignée dans sa douille en utilisant la rondelle de blocage et l'écrou du boulon fournis. Serrez l'écrou de manière ferme pour empêcher que la poignée sorte de façon accidentelle pendant l'utilisation du cric.

Avant l'utilisation

1. Vérifiez que le produit et son utilisation sont compatibles. Si vous avez des doutes, appelez le soutien technique pour les produits Omega au 1 888 332-6419.
2. Avant d'utiliser ce produit, lisez le manuel d'utilisation au complet et familiarisez-vous parfaitement avec le produit et ses composants, et identifiez les dangers associés à son utilisation.
3. Afin de vous familiariser avec le fonctionnement de base du cric, tournez la soupape de surpression (croisillon de la poignée) :
 - a. Dans le sens *horaire* jusqu'à ce que vous sentiez une forte résistance au mouvement. C'est la position « **FERMÉE** » de la soupape de surpression utilisée pour soulever le point d'appui.
 - b. Dans le sens *antihoraire*, mais pas plus d'un demi-tour à partir de la position fermée. C'est la position « **OUVERTE** » de la soupape de surpression utilisée pour abaisser le point d'appui.
4. Lorsque le point d'appui est complètement abaissé et que la soupape de surpression est fermée, pesez sur le levier. Si le bras de levage réagit immédiatement, le cric peut maintenant être utilisé. Si ce n'est pas le cas, suivez les instructions de la section **Purge de l'air emprisonné** ci-dessous.
5. *Pour les modèles 22051C et 22101C pneumatiques*, versez une cuillère à thé de lubrifiant de bonne qualité pour outil à air dans l'entrée de l'alimentation d'air de la vanne de commande de levage. Branchez l'alimentation en air et faites fonctionner le cric pendant 3 secondes pour distribuer le lubrifiant de façon uniforme.

AVIS : Les modèles pneumatiques sont dotés du raccord populaire 1/4 NPT pour tuyau d'air. Lorsque vous installez un raccord pour tuyau d'air de votre choix, assurez-vous d'utiliser du ruban pour joints filetés ou du scellant lorsque vous faites l'entretien des branchements. Il est recommandé d'utiliser un dessiccateur d'air en ligne et un huileur d'air en ligne pour assurer un fonctionnement fiable sans problème.

6. Assurez-vous que le cric fonctionne en douceur. Avant d'utiliser le cric, pour s'assurer que le mécanisme fonctionne en douceur, levez le point d'appui à son niveau maximal et abaissez-le à son niveau minimal, sans charge. Remplacez les pièces et les assemblages usés ou endommagés seulement par des pièces de rechange autorisées par Omega.

Purge de l'air emprisonné

Lorsque la soupape de surpression est à la position OUVERTE (étape 3 b. ci-dessus) et que le point d'appui est à son niveau minimal, trouvez et enlevez le bouchon ou la vis de remplissage d'huile. Abaissez et levez le levier le plus possible de six à huit fois. Cela va faciliter la libération de tout air pressurisé pouvant être emprisonné dans le réservoir. Un niveau d'huile adéquat, observé à partir de l'orifice de remplissage d'huile, se situe entre une hauteur allant de juste au-dessus du vérin à piston plongeant jusqu'à 4,76 mm (3/16 po) au-dessus ce niveau. Remettez le bouchon ou la vis.

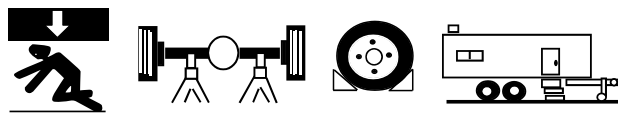


AVERTISSEMENT

- Lisez, comprenez et respectez toutes les instructions avant d'utiliser ce produit.
- Ne dépassez pas la capacité nominale.
- Utilisez le cric seulement sur des surfaces dures et de niveau.
- Utilisez pour le levage seulement. Immédiatement après le levage, faites en sorte que le véhicule soit supporté par un moyen adéquat.
- Ne déplacez pas le véhicule et n'utilisez pas le cric pour ce faire lorsque le véhicule est supporté par le cric.
- Utilisez le cric seulement aux points de levage indiqués par le fabricant du véhicule.
- Ne modifiez pas cet appareil.
- Le non-respect des consignes peut entraîner des blessures et des dommages matériels.



AVERTISSEMENT



Pour éviter un écrasement et les blessures en lien avec celui-ci :

- Ne travaillez jamais autour d'une charge, en dessous d'elle ou sur celle-ci, si elle est supportée seulement par un cric hydraulique.
- Utilisez toujours des béquilles de cric dont la capacité nominale est adéquate.
- Mettez des cales à l'avant et à l'arrière des pneus non soulevés.
- N'utilisez pas cet appareil pour soulever, mettre à niveau, abaisser, supporter ou déplacer une maison, une maison mobile, une caravane classique, une roulotte ou une structure d'édifice.
- Soyez vigilant et sobre lorsque vous utilisez ce produit. Ne vous en servez pas si vous avez consommé de l'alcool ou de la drogue.

UTILISATION

Soulever

⚠ AVERTISSEMENT : *Utilisez seulement les accessoires et les adaptateurs fournis par le fabricant. Utilisez le cric seulement au point de levage indiqué par le fabricant du véhicule.*

AVIS : *Ces crics sont munis d'un verrou de poignée. Pour ajuster la poignée, libérez le verrou en tirant sur le levier vers le haut, puis faites le descendre jusqu'à ce qu'il soit verrouillé en place.*

1. Respectez les lignes directrices du fabricant du véhicule pour le levage. Serrez le frein de stationnement du véhicule et mettez des cales à l'avant et à l'arrière des roues non soulevées pour empêcher tout déplacement du véhicule.
2. Trouvez et fermez la soupape de surpression en tournant le croisillon de la soupape dans le sens horaire jusqu'à ce que vous sentiez une bonne résistance.
3. Consultez le manuel du propriétaire fourni par le fabricant du véhicule pour connaître les points de levage approuvés. Centrez le point d'appui du cric sous le point de levage.
4. Inspectez le point de levage, puis abaissez et levez le levier ou pesez sur la pédale pour que le point d'appui entre en contact avec le point de levage. Pour soulever la charge, abaissez et levez le levier ou ouvrez la vanne de commande de levage (modèles 22051C et 22101C) jusqu'à ce que la charge atteigne la hauteur désirée. **N'utilisez jamais** la pédale pour faire monter la charge.

⚠ AVERTISSEMENT : *N'attachez et ne fixez jamais la vanne de commande et ne faites jamais rien pour qu'elle soit contrôlée d'une autre façon que par la main de l'opérateur.*

5. Faites reposer la charge sur des béquilles de cric à capacité nominale adéquate.

Abaisser

⚠ AVERTISSEMENT : *Avant d'abaisser la charge, assurez-vous qu'il n'y a aucun outil ni personne en dessous de celle-ci. Ouvrez la soupape de surpression lentement. Plus la soupape de surpression est tournée dans le sens antihoraire, plus la charge descend rapidement. Gardez le contrôle de la charge en tout temps.*

1. Soulevez la charge suffisamment pour enlever les béquilles.
2. Enlevez les béquilles.
3. Tournez lentement le croisillon de la soupape dans le sens antihoraire, mais ne faites pas plus d'un demi-tour.
Si la charge ne descend pas :
 - a. Utilisez un autre cric pour soulever le véhicule suffisamment pour remettre les béquilles de cric.
 - b. Enlevez le cric défectueux et enlevez ensuite les béquilles de cric.
 - c. Utilisez le cric qui fonctionne pour faire descendre le véhicule.
4. Après avoir retiré le cric, faites descendre le point d'appui à son niveau minimal pour prévenir la rouille et la contamination du vérin.

ENTRETIEN

AVIS : *Utilisez seulement de l'huile pour cric hydraulique de bonne qualité. Évitez de mélanger différents types de liquides et n'utilisez jamais de liquide pour frein, d'huile de turbine, de liquide de transmission, d'huile moteur ou de glycérine. L'utilisation d'un liquide inapproprié peut entraîner une défaillance du cric et causer une chute potentielle soudaine et immédiate de charge. Il est recommandé d'utiliser de l'huile pour cric hydraulique de première qualité.*

Ajouter de l'huile

1. Lorsque le point d'appui est à son niveau minimal, mettez le cric debout et à niveau. Trouvez et enlevez la vis ou le bouchon de remplissage d'huile.
2. Mettez de l'huile jusqu'à ce que son niveau se trouve à environ 0,48 cm (3/16 po) au-dessus du cylindre intérieur, selon ce qui peut être observé à partir de l'orifice de remplissage. Remettez le bouchon ou la vis.

Changer l'huile

Afin d'obtenir une performance optimale, remplacez complètement l'huile au moins une fois par année.

1. Lorsque le point d'appui est à son niveau minimal, enlevez le bouchon ou la vis de remplissage d'huile.
2. Posez le cric sur le côté et purgez le liquide en l'envoyant dans un contenant adéquat.

AVIS : *Jetez le liquide hydraulique en respectant la réglementation environnementale locale.*

3. Mettez de l'huile jusqu'à ce que son niveau se trouve à environ 19 mm (3/16 po) au-dessus du cylindre intérieur, selon ce qui peut être observé à partir de l'orifice de remplissage. Remettez le bouchon ou la vis.

Lubrifier

Une lubrification périodique des points de pivotement, des axes et des charnières faite avec de l'huile légère et une application de graisse sur le bras de levage et les fixations des roues aident à prévenir la rouille et à assurer que les roues, les galets et les assemblages du levier bougent librement. Il est recommandé d'utiliser un dessiccateur d'air en ligne et un huileur d'air en ligne pour assurer un fonctionnement sans problème.

Nettoyer

Inspectez périodiquement le piston du levier et le vérin à piston plongeur pour voir s'il y a de la rouille ou de la corrosion. Nettoyez selon les besoins et essuyez avec un linge huileux.

AVIS : *N'utilisez pas de papier sablé ni de matériau abrasif sur le piston du levier et le vérin à piston plongeur.*

Ranger

Lorsque le cric n'est pas utilisé, rangez-le, son point d'appui devant être à son niveau minimal.

DÉPANNAGE

Problème	Causes possibles	Mesure corrective
Cric ne soulevant pas la charge	<ul style="list-style-type: none">• Soupape de surpression qui n'est pas bien fermée• Surcharge• Pression d'air incorrecte	<ul style="list-style-type: none">• Assurez-vous que la soupape est bien fermée.• Remédiez au problème de surcharge.• Assurez-vous que la pression d'air est adéquate.
Cric soulevant la charge mais qui redescend	<ul style="list-style-type: none">• Soupape de surpression qui n'est pas bien fermée• Défaillance du vérin hydraulique	<ul style="list-style-type: none">• Assurez-vous que la soupape est bien fermée.• Cessez de l'utiliser et communiquez avec le soutien technique d'Omega.
Cric ne descendant pas après avoir enlevé la charge	<ul style="list-style-type: none">• Trop de liquide hydraulique dans le réservoir• Blocage des articulations• Niveau de liquide hydraulique trop bas	<ul style="list-style-type: none">• Purgez le liquide pour le ramener au bon niveau.• Nettoyez les pièces mobiles et lubrifiez-les.• Assurez-vous que le niveau de liquide est adéquat.
Performance de levage médiocre	<ul style="list-style-type: none">• Niveau de liquide hydraulique trop bas• Air emprisonné dans le réservoir	<ul style="list-style-type: none">• Assurez-vous que le niveau de liquide est adéquat.• Suivez la procédure de la section Purge de l'air emprisonné à la page 17.
Le point d'appui ne s'élève pas au maximum	<ul style="list-style-type: none">• Niveau de liquide hydraulique trop bas	<ul style="list-style-type: none">• Assurez-vous que le niveau de liquide est adéquat.

PIÈCES DE RECHANGE

(Voir les pages 20 à 27.)

Ce ne sont pas toutes les pièces du cric qui peuvent être remplacées, mais elles sont illustrées pour montrer leur emplacement ainsi que leur position pour l'assemblage. Lorsque vous commandez des pièces, fournissez le numéro du modèle, le numéro de série et la description des pièces. Pour connaître les prix actuels, appelez-nous ou écrivez-nous : SFA Companies, 10939 N. Pomona Ave. Kansas City, MO 64153, É.-U., téléphone : 1 888 332-6419, télécopieur : 1 816 891-6599, courriel : sales@omegalift.com, site Web d'Omega : <http://www.omegalift.com>.

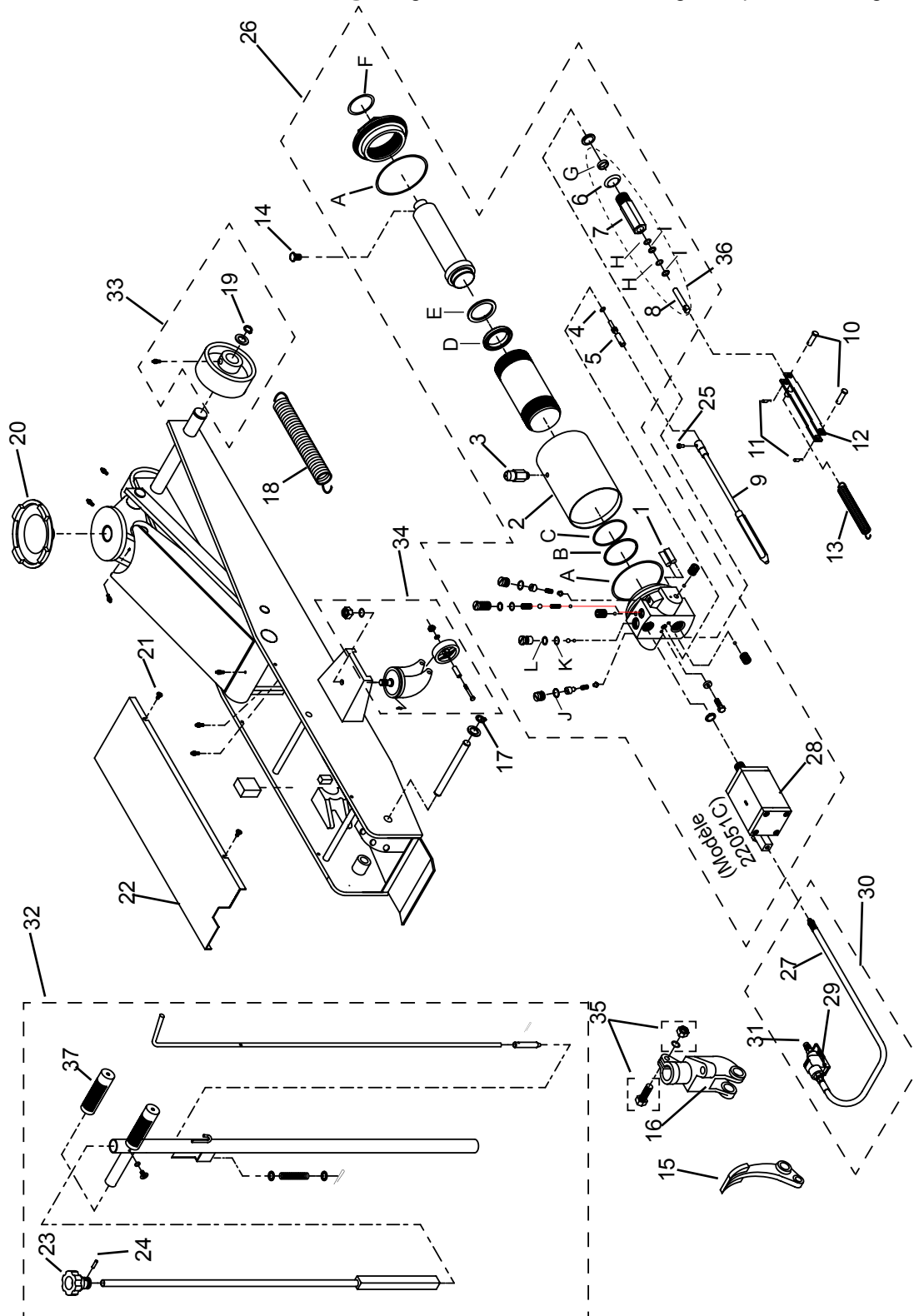


Figure 2 : Illustration des pièces de rechange des modèles 22050C et 22051C

Pièce	N° de pièce pour modèle 22050C :	N° de pièce pour modèle 22051C :	Description	Qté
1		G251-20008-000	Filtre	2
2		G250-20002-000	Réservoir	1
3		G62S-03300-200	Bouchon de remplissage d'huile	1
4		5901-00071-000	Joint torique D7,1 x 2,65	1
5		G250-20004-000	Soupape de surpression	1
6		B300-14002-000	Rondelle	1
7		G651-31002-000	Vérin du levier	1
8		G651-31001-000	Piston du levier	1
9		G100-90049-K01	Câble de commande	1
10		5405-12036-000	Goupille	2
11		5405-02028-000	Goupille de retenue	2
12		G250-50000-000	Liaison mécanique du piston	1
13		G251-00004-000	Ressort de rappel de la pédale	1
14		5110-06016-000	Vis	1
15		G251-00009-000	Pédale	1
16		G251-00010-000	Articulation de la poignée	1
17		5304-00018-000	Circlip	2
18		G251-00003-000	Ressort de rappel	2
19		5304-00028-000	Circlip	2
20		G25X-00001-000	Point d'appui	1
21		5110-06010-000	Vis cruciforme	4
22		G25X-00003-000	Plaque du dessus	1
23		G251-40001-000	Croisillon	1
24		5402-04028-000	Goupille-ressort	1
25		5105-05012-000	Vis	1
26	G250-02000-000	G250-90000-000	Vérin hydraulique	1
27	S.O.	A240-02100-000	Tuyau d'air	1
28		G240-01000-000	Moteur à air	1
29		A240-02200-000	Vanne de commande de levage	1
30		A190-01000-000	Assemblage de tuyau	1
31		A20060-0016	Raccord rapide mâle	1
32	G25X-90009-K03	G65X-90009-K01	Assemblage de la poignée	1
33		G250-90004-K01	Assemblage de roue avant	2
34		G250-90004-K02	Assemblage de galet	2
35		G250-90009-K03	Assemblage de boulon	1
36		G651-31000-000	Assemblage de levier	1
37		G251-00007-000	Prise de la poignée	2
-		G2506S-091 (comprend pièces A à L)	Trousse de joints pour vérin hydraulique	1
-	S.O.	G250-90009-K04	Trousse de joints pour le moteur à air	1
-		G831-03210-000	Piston de moteur à air	1

Contenu de la trousse de joints (G2506S-091)

Pièce	Description	Qté
A	Joint torique, D116 x 4	2
B	Joint torique, D73,8 x 3,5	1
C	Rondelle de rechange	1
D	Joint en coupelle	1
E	Rondelle de rechange	1
F	Joint torique, D53 x 5	1

Pièce	Description	Qté
G	Garniture	1
H	Joint torique, D15 x 2,65	2
I	Rondelle de rechange	2
J	Joint torique, D8.2 x 2.4 (22050C Qté 1)	2
K	Joint torique, D14 x 2.65	1
L	Rondelle de rechange	1

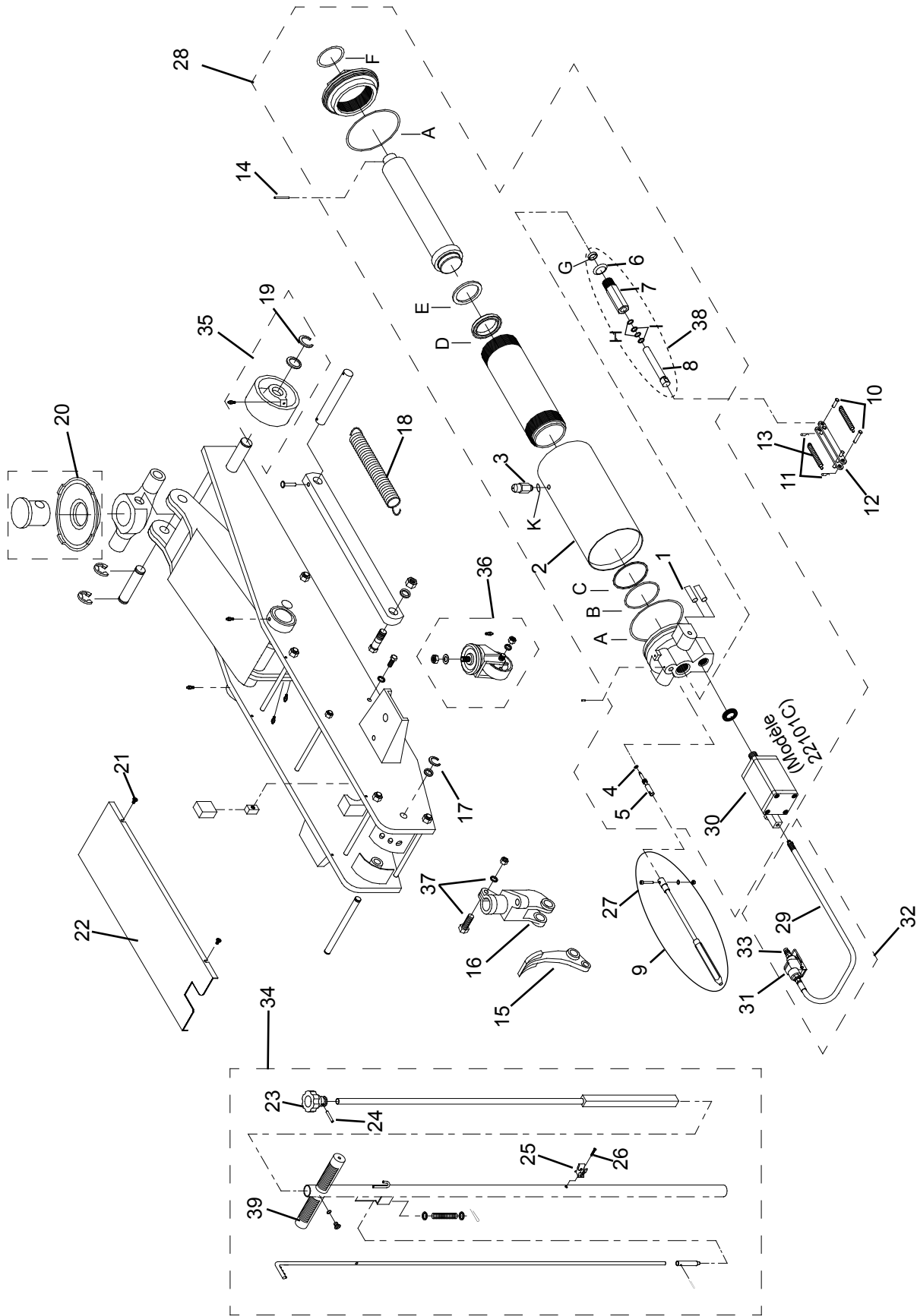


Figure 3 : Illustration des pièces de rechange des modèles 22100C et 22101C

Pièce	N° de pièce pour modèle 22100C :	N° de pièce pour modèle 22101C :	Description	Qté
1		G251-20008-000	Filtre	2
2		G100-40003-000	Réservoir	1
3		G62S-03301-000	Vis de remplissage d'huile	1
4		5901-00071-000	Joint torique, D7,1 x 2,65	1
5		G251-20004-000	Soupape de surpression	1
6		B300-14002-000	Rondelle	1
7		G651-31002-000	Vérin du levier	1
8		G651-31001-000	Piston du levier	1
9		G100-90049-K01	Câble de commande	1
10		5405-12039-000	Goupille	2
11		5405-02028-000	Goupille de retenue	2
12		G100-70000-000	Liaison mécanique du piston	1
13		G100-00015-000	Ressort de rappel de la pédale	2
14		5402-05025-000	Goupille	1
15		G251-00009-000	Pédale	1
16		G251-00010-000	Articulation de la poignée	1
17		5304-00018-000	Circlip	2
18		G100-00014-000	Ressort de rappel	1
19		5305-00024-000	Circlip	2
20		G100-90049-K02	Assemblage du point d'appui	1
21		5111-55022-000	Vis cruciforme	4
22		G100-00016-000	Plaque du dessus	1
23		G251-40001-000	Croisillon	1
24		5402-04028-000	Goupille-ressort	1
25	S.O.	A070-40009-000	Collier de serrage	1
26		5110-04012-000	Vis cruciforme	1
27		5110-05025-000	Vis	1
28	G100-90009-K06	G100-90009-K05	Vérin hydraulique	1
29	S.O.	A240-02100-000	Tuyau d'air	1
30		G240-01000-000	Moteur à air	1
31		A240-02200-000	Vanne de commande de levage	1
32		A190-01000-000	Assemblage de tuyau	1
33		A20060-0016	Raccord rapide mâle	1
34		G100-90009-K01	Assemblage de la poignée	1
35		G100-90004-K02	Assemblage de roue avant	2
36		G661-90038-K03	Assemblage de galet	2
37		G250-90009-K03	Assemblage de boulon	1
38		G651-31000-000	Assemblage de levier	1
39		G251-00007-000	Prise de la poignée	2
-		G1006S-126	Trousse de joints pour vérin hydraulique	1
-	S.O.	G250-90009-K04	Trousse de joints pour le moteur à air	1
-		G831-03210-000	Piston de moteur à air	1

GARANTIE LIMITÉE DE 1 AN

Pendant une période d'un (1) an, à partir de la date d'achat, **SFA Companies** réparera ou remplacera, à sa discrétion, sans frais, tous ses produits qui, utilisés dans des conditions normales, sont défectueux à cause d'un défaut de matériel ou de fabrication. Cette garantie limitée est le seul recours du consommateur.

Pour bénéficier du service offert par la garantie, il faut retourner le produit couvert par celle-ci, port payé, à **SFA Companies** Warranty Service Department, 10939 N. Pomona Ave., Kansas City, MO 64153, États-Unis.

Sauf dans les cas où les limitations et les exclusions décrites dans ce paragraphe sont spécifiquement interdites par la loi : (1) LE SEUL RECOURS DU CONSOMMATEUR EST DE FAIRE RÉPARER OU REMPLACER LES PRODUITS DÉFECTUEUX COMME DÉCRIT CI-DESSUS; (2) **SFA Companies** NE SERA PAS TENUE RESPONSABLE DES DOMMAGES CONSÉCUTIFS OU INDIRECTS OU DE PERTES QUELCONQUES; (3) TOUTE GARANTIE IMPLICITE, CE QUI INCLUT SANS LIMITATION LES GARANTIES IMPLICITES DE COMMERCIALITÉ ET D'ADAPTATION À UN USAGE PARTICULIER, SERA LIMITÉE À UN AN, À DÉFAUT DE QUOI LA RÉPARATION, LE REMPLACEMENT OU LE REMBOURSEMENT, SELON CETTE GARANTIE EXPRESSE LIMITÉE, CONSTITUE LE SEUL RECOURS DU CLIENT, ET REMPLACE TOUTE AUTRE GARANTIE, IMPLICITE OU EXPRESSE; (4) TOUTE MODIFICATION, ALTÉRATION, UTILISATION ABUSIVE OU NON AUTORISÉE OU DÉCORATION ORNEMENTALE ANNULE CETTE GARANTIE ET N'EST PAS COUVERTE PAR CELLE-CI.

Certaines provinces et certains États ne permettent pas de limiter la durée d'une garantie implicite et il est donc possible que la limitation décrite ci-dessus ne s'applique pas. Certaines provinces et certains États ne permettent pas d'exclure ou de limiter les dommages consécutifs ou indirects et il est donc possible que la limitation ou l'exclusion mentionnée ci-dessus ne s'applique pas. Cette garantie vous confère des droits particuliers et il est aussi possible que vous puissiez jouir d'autres droits qui varient d'une province à l'autre et d'un État à l'autre.

OMEGALIFTTM
EQUIPMENT

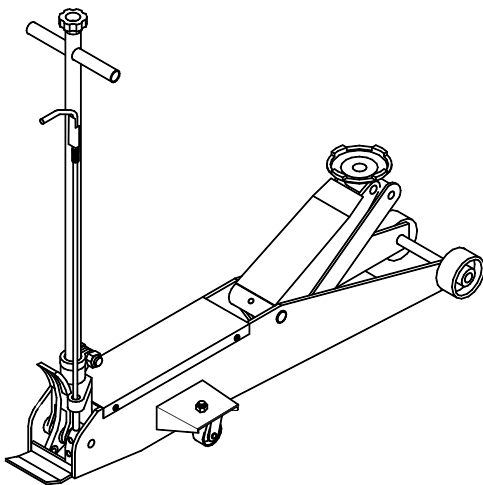
SFA Companies
10939 N. Pomona Ave., Kansas City, MO 64153, É.-U.
Téléphone : 1 888 332-6419 Télécopieur : 1 816 891-6599
Courriel : sales@omegalift.com
Site Web d'Omega : <http://www.omegalift.com>

OMEGALIFT™ EQUIPMENT

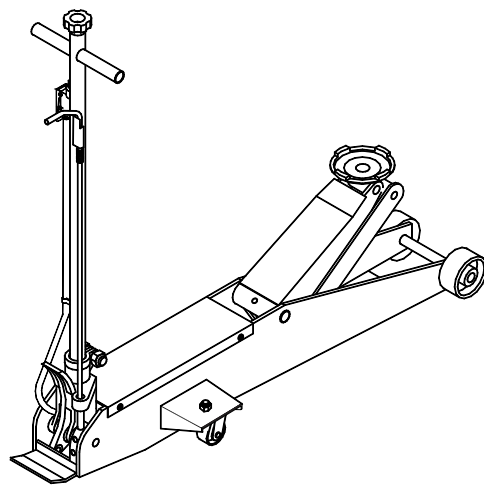
Gatos hidráulicos de servicio con chasis largo

Modelo
22050C, 22051C
22100C, 22101C

Capacidad
5 toneladas (10 000 libras)
10 toneladas (20 000 libras)



Modelos 22050C y 22100C



Modelos 22051C y 22101C
(Opciones neumáticas)

Patente de EE. UU. N.º 5,946,912 • 5,341,723



Este es el símbolo de alerta de seguridad. Se usa para alertar sobre peligros potenciales de lesiones personales. Obedezca todos los mensajes de seguridad que tengan este símbolo, para evitar posibles lesiones personales o la muerte.

SFA Companies
<http://www.omegalift.com>

Lea este manual y respete todas las reglas de seguridad y las instrucciones de funcionamiento antes de usar este producto.

INFORMACIÓN GENERAL Y DE SEGURIDAD

Conserve estas instrucciones. Para su seguridad, lea, comprenda y siga la información que viene con este dispositivo antes de su uso. El propietario u operador debe tener conocimientos sobre el dispositivo, sus características operativas y las instrucciones para un funcionamiento seguro antes de utilizar el equipo. El propietario u operador debe tener presente que el uso y la reparación de este producto podrían requerir habilidades y conocimientos especiales. Es preciso leer y analizar las instrucciones y la información de seguridad con el operador, en su lengua materna, a fin de asegurarse de que el operador comprenda su contenido antes de recibir autorización para el uso de este equipo. Si tiene dudas sobre el uso seguro y adecuado de este dispositivo, proceda a sacarlo de servicio de inmediato.

Inspeccione el dispositivo antes de cada uso. No use el dispositivo si presenta anomalías, como grietas en la soldadura, o piezas dañadas, flojas o faltantes. Debe sacar de servicio todo equipo que presente daños, de la naturaleza que fueren, esté gastado o funcione mal hasta su reparación. Si tiene la sospecha o la certeza de que el equipo fue sometido a una carga o sufrió un impacto anormal, interrumpa el uso de inmediato hasta que sea controlado por un centro de reparación autorizado por la fábrica (comuníquese con el distribuidor o fabricante para obtener una lista de los centros de reparación autorizados). Se recomienda realizar una inspección anual a cargo de un centro de reparaciones autorizado. Las etiquetas y los manuales del operador están disponibles por parte del fabricante.

DESCRIPCIÓN DEL PRODUCTO

Los gatos hidráulicos de servicio con chasis largo de Omega están diseñados para levantar, no soportar, un extremo del vehículo. Inmediatamente después del levantamiento, las cargas deben apoyarse en un par de soportes para gato de capacidad nominal adecuada. Función accionada por aire disponible para los modelos 22051C y 22101C. Las unidades accionadas por aire requieren al menos 7,8 CFM a 110~175 psi (7,5 a 12 bar). Se requiere una presión de aire mínima de 150 psi (10,3 bar) para aumentar la carga de capacidad nominal.

ESPECIFICACIONES

Modelo	Capacidad	Tamaño del gato (L x P x A)	Altura mín.	Altura máx.	Diámetro del asiento
22050C/22051C	5 toneladas (10.000 libras)	57-3/4" x 17" x 7-5/8" (146 cm x 43 cm x 19,3 cm)	7" (17,7 cm)	27" (68,5 cm)	6-1/2" (16,5 cm)
22100C/22101C	10 toneladas (20.000 libras)	54-3/4" x 20" x 12-3/4" (139 cm x 50 cm x 32,3 cm)	7" (17,7 cm)	27" (68,5 cm)	7-3/8" (18,7 cm)

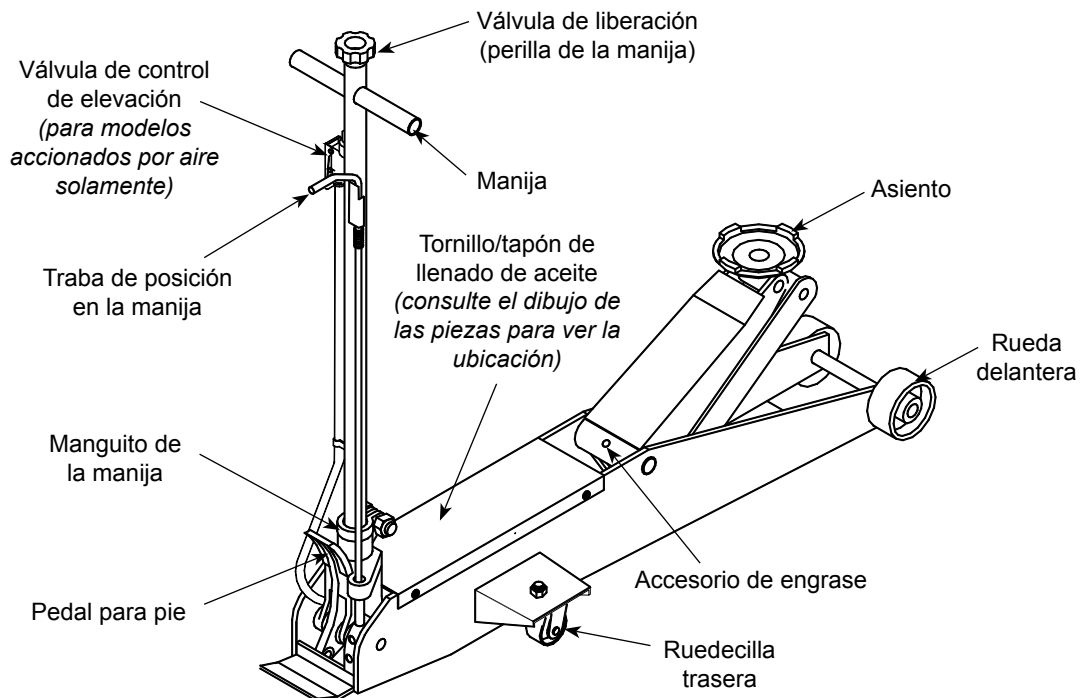


Figura 1: Nomenclatura habitual de un gato hidráulico con chasis largo (se muestra 22051C)

PREPARACIÓN

Ensamblaje

Siempre asegure la manija en el manguito de la manija con la arandela de bloqueo para perno y la tuerca proporcionadas. Apriete bien para evitar que la manija se salga accidentalmente mientras está en uso.

Antes del uso

1. Verifique que el producto y la aplicación sean compatibles; si tiene dudas, llame al Servicio técnico de Omega al (888) 332-6419.
2. Antes de usar este producto, lea todo el manual del operador; procure familiarizarse en forma completa con el producto y sus componentes, y reconocer los peligros asociados a su uso.
3. Para familiarizarse con el funcionamiento básico, gire la válvula de liberación (perilla de la manija):
 - a. *A la derecha* hasta que sienta una resistencia firme para continuar girando. Esta es la posición '**CERRADO**' de la válvula de liberación que se usa para elevar el asiento.
 - b. *A la izquierda*, pero no más de 1/2 giro con respecto a la posición de cerrado. Esta es la posición '**ABIERTO**' de la válvula de liberación que se usa para bajar el asiento.
4. Una vez que el asiento haya descendido por completo y la válvula de liberación esté totalmente cerrada, bombee la manija de funcionamiento. Si el brazo elevador responde de inmediato, el gato está listo para ser usado. Si el gato no responde, siga las instrucciones de la sección **Purgado/descarga del aire atrapado** a continuación.
5. *Para los modelos operados por aire 22051C y 22101C*, vierta una cucharadita de lubricante para herramientas de aire de buena calidad en la entrada del suministro de aire de la válvula de control de elevación. Conecte al suministro de aire y hágalo funcionar durante 3 segundos para distribuir el lubricante de manera uniforme.

AVISO: *Los modelos operados por aire están equipados con el acoplador de aire común de 1/4" (0,6 cm) NPT. Cuando instale un acoplador de aire que no sea el de su elección, asegúrese de usar cinta o compuesto aislante para la reparación de las conexiones. Se recomienda el uso de un secador de aire y engrasador en línea para asegurar el funcionamiento fiable y libre de problemas.*

6. Asegúrese de que el gato se desplace libremente. Antes de poner el gato en servicio, suba y baje el asiento sin carga a lo largo de la distancia de elevación para asegurarse de que la bomba funcione sin dificultades. Reemplace las piezas y los conjuntos desgastados o dañados solo con piezas de repuesto autorizadas de Omega.

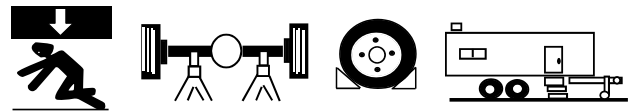
Purgado/descarga del aire atrapado

Coloque la válvula de liberación en la posición ABIERTO (paso 3b anterior) y baje el asiento en forma completa; luego, ubique y retire el tapón/tornillo de llenado de aceite. Bombee de 6 a 8 recorridos completos. Esto ayudará a liberar el aire presurizado que pudiera estar atrapado dentro del depósito. El nivel de aceite adecuado puede cubrir solo el cilindro del ariete o sobrepasarlo en 3/16" (0,48 cm), según se observa desde el orificio de llenado de aceite. Vuelva a colocar el tapón/tornillo de llenado de aceite.

ADVERTENCIA

- *Estudie, comprenda y siga todas las instrucciones antes de poner en funcionamiento este dispositivo.*
- *No exceda la capacidad establecida.*
- *Utilícelo únicamente sobre superficies duras y uniformes.*
- *Es solo un dispositivo para levantar cargas. Inmediatamente después de levantar el vehículo, utilice los soportes adecuados.*
- *No mueva ni deslice el vehículo mientras esté en el gato.*
- *Use solamente las áreas del vehículo especificadas por el fabricante del vehículo.*
- *No deben hacerse modificaciones a este producto.*
- *Si no se respetan estas indicaciones, podrían producirse lesiones personales o daños a la propiedad.*

ADVERTENCIA



Para evitar lesiones por opresión y otras lesiones:

- *Nunca trabaje sobre, debajo o alrededor de una carga que solamente esté apoyada en un gato hidráulico.*
- *Siempre use soportes para gato de capacidad nominal adecuada.*
- *Bloquee cada rueda sin elevar en ambas direcciones.*
- *No utilice este dispositivo para levantar, nivelar, bajar, apoyar ni mover una casa, casa rodante, remolque de viaje, camioneta "camper" u otra estructura de construcción.*
- *Cuando utilice este equipo, procure estar atento y sobrio. No use el equipo si está bajo los efectos de drogas o bebidas alcohólicas.*

FUNCIONAMIENTO

Elevación

⚠ ADVERTENCIA: Solo deben utilizarse accesorios y/o adaptadores suministrados por el fabricante. Levante solamente el área del vehículo especificada por el fabricante del vehículo.

AVISO: Estos gatos están equipados con trabas de posición en la manija. Para ajustar la manija, libere el dispositivo de cierre mientras tira de la palanca hacia arriba y, luego, hacia atrás hasta que la palanca quede en posición.

1. Siga las pautas recomendadas por el fabricante del vehículo para la elevación. Accione el freno de emergencia y coloque calzos en todas las ruedas sin elevar, en ambas direcciones, para evitar cualquier movimiento accidental del vehículo.
2. Ubique y cierre la válvula de liberación; para hacerlo, gire la perilla de la válvula de liberación a la derecha hasta que sienta una resistencia firme.
3. Consulte el manual del propietario del fabricante del vehículo para ubicar los puntos de elevación en el vehículo. Centre el asiento del gato debajo del punto de elevación.
4. Verifique el punto de elevación, luego, bombee la manija o el pedal para pie hasta que toque el punto de elevación. Para elevar, bombee la manija u oprima la válvula de control de elevación (modelos 22051C y 22101C) hasta que la carga alcance la altura deseada. **Nunca** use el pedal para pie para elevar la carga.

⚠ ADVERTENCIA: No use cables ni abrazaderas ni desactive de otro modo la válvula de control de elevación para que funcione de otra manera que no sea con la mano del operador.

5. Transfiera la carga a los soportes para gato de capacidad nominal adecuada.

Descenso

⚠ ADVERTENCIA: Despeje el área de herramientas y operarios antes de bajar la carga. Abra lentamente la válvula de liberación. Cuanto más gire la perilla de la válvula de liberación a la izquierda, más rápido descenderá la carga. Mantenga el control de la carga en todo momento.

1. Eleve la carga a una altura que permita despejar los soportes para gato.
2. Retire los soportes para gato.
3. Gire la perilla de la válvula de liberación a la izquierda pero no más de 1/2 giro completo. *Si la carga no desciende:*
 - a. Use otro gato para elevar el vehículo a una altura que permita volver a instalar los soportes para gato.
 - b. Retire el gato dañado y, a continuación, los soportes para gato.
 - c. Use el gato que funciona para bajar el vehículo.
4. Retire el gato de la parte de abajo del vehículo y baje en forma completa el asiento para reducir la exposición al óxido y la contaminación.

MANTENIMIENTO

AVISO: Use solo aceite para gatos hidráulicos de buena calidad. Evite mezclar diferentes tipos de líquidos y nunca use líquido de frenos, aceite de turbinas, líquido de transmisión, aceite de motor ni glicerina. El uso de un líquido inadecuado puede provocar fallas en el gato y posibles pérdidas de carga repentinas e inmediatas. Se recomienda el uso de aceite para gato hidráulico de alta calidad.

Agregado de aceite

1. Una vez que el asiento haya descendido por completo, coloque el gato en posición vertical y a nivel. Ubique y retire el tapón/tornillo de llenado de aceite.
2. Llène con aceite hasta ~3/16" (0,48 cm) por encima del cilindro interno, según se observa desde el orificio de llenado de aceite. Vuelva a colocar el tapón/tornillo de llenado de aceite.

Cambio de aceite

Para lograr el mejor rendimiento, reemplace completamente el suministro de líquido por lo menos una vez al año.

1. Una vez que el asiento haya descendido por completo, retire el tapón/tornillo de llenado de aceite.
2. Coloque al gato de lado y descargue el líquido en un recipiente adecuado.

AVISO: Deseche el líquido hidráulico conforme a las reglamentaciones ambientales locales.

3. Llène con aceite hasta ~3/16" (0,48 cm) por encima del cilindro interno, según se observa desde el orificio de llenado de aceite. Vuelva a colocar el tapón/tornillo de llenado de aceite.

Lubricación

La lubricación periódica con un aceite liviano en los puntos de giro y las bisagras, y la aplicación de grasa al brazo elevador y los accesorios de la rueda, ayudará a evitar la corrosión y garantizará que los conjuntos de las ruedas, las ruedecillas y la bomba se muevan libremente. Se recomienda el uso de un secador de aire y engrasador en línea para asegurar el funcionamiento libre de problemas.

Limpeza

Verifique periódicamente el pistón y el ariete de la bomba en busca de signos de oxidación o corrosión. Límpielos con un paño con aceite, según sea necesario.

AVISO: No use papel de lija ni materiales abrasivos en las superficies del ariete y el pistón de la bomba.

Almacenamiento

Cuando no lo utilice, guarde el gato con el asiento completamente bajo.

LOCALIZACIÓN Y SOLUCIÓN DE AVERÍAS

Síntoma	Causas posibles	Medidas correctivas
El gato no levanta la carga.	<ul style="list-style-type: none">• La válvula de liberación no está herméticamente cerrada.• Hay un estado de sobrecarga.• La presión de aire es inadecuada.	<ul style="list-style-type: none">• Asegúrese de que la válvula de liberación esté herméticamente cerrada.• Solucione el estado de sobrecarga.• Asegúrese de que la presión de aire sea adecuada.
El gato se eleva, pero no mantiene la presión.	<ul style="list-style-type: none">• La válvula de liberación no está herméticamente cerrada.• La unidad hidráulica no funciona correctamente.	<ul style="list-style-type: none">• Asegúrese de que la válvula de liberación esté herméticamente cerrada.• Interrumpa el uso y comuníquese con el servicio técnico de Omega.
El gato no baja después de su descarga.	<ul style="list-style-type: none">• El depósito está lleno en exceso.• Los enlaces están atascados.• El nivel de líquido está bajo.	<ul style="list-style-type: none">• Descargue el líquido hasta el nivel adecuado.• Limpie y lubrique las piezas móviles.• Asegúrese de que el nivel de líquido sea el adecuado.
La capacidad de elevación es deficiente.	<ul style="list-style-type: none">• El nivel de líquido está bajo.• Hay aire atrapado en el sistema.	<ul style="list-style-type: none">• Asegúrese de que el nivel de líquido sea el adecuado.• Siga el procedimiento indicado en Purgado/descarga del aire atrapado, en la página 31.
La elevadora no se eleva al máximo de su capacidad.	<ul style="list-style-type: none">• El nivel de líquido está bajo.	<ul style="list-style-type: none">• Asegúrese de que el nivel de líquido sea el adecuado.

PIEZAS DE REPUESTO

(consulte las páginas 34 a 41)

No todos los componentes del gato tienen reemplazo, pero se ilustran a modo de referencia práctica de la ubicación y la posición que ocupan en la secuencia del conjunto. Cuando realice el pedido de piezas, indique el número de modelo, el número de serie y la descripción de la pieza. Para obtener el precio vigente, comuníquese a: SFA Companies, 10939 N. Pomona Ave. Kansas City, MO 64153, U.S.A. Tel.:(888)332-6419; Fax:(816)891-6599; Correo electrónico: sales@omegalift.com; Sitio web de Omega: <http://www.omegalift.com>

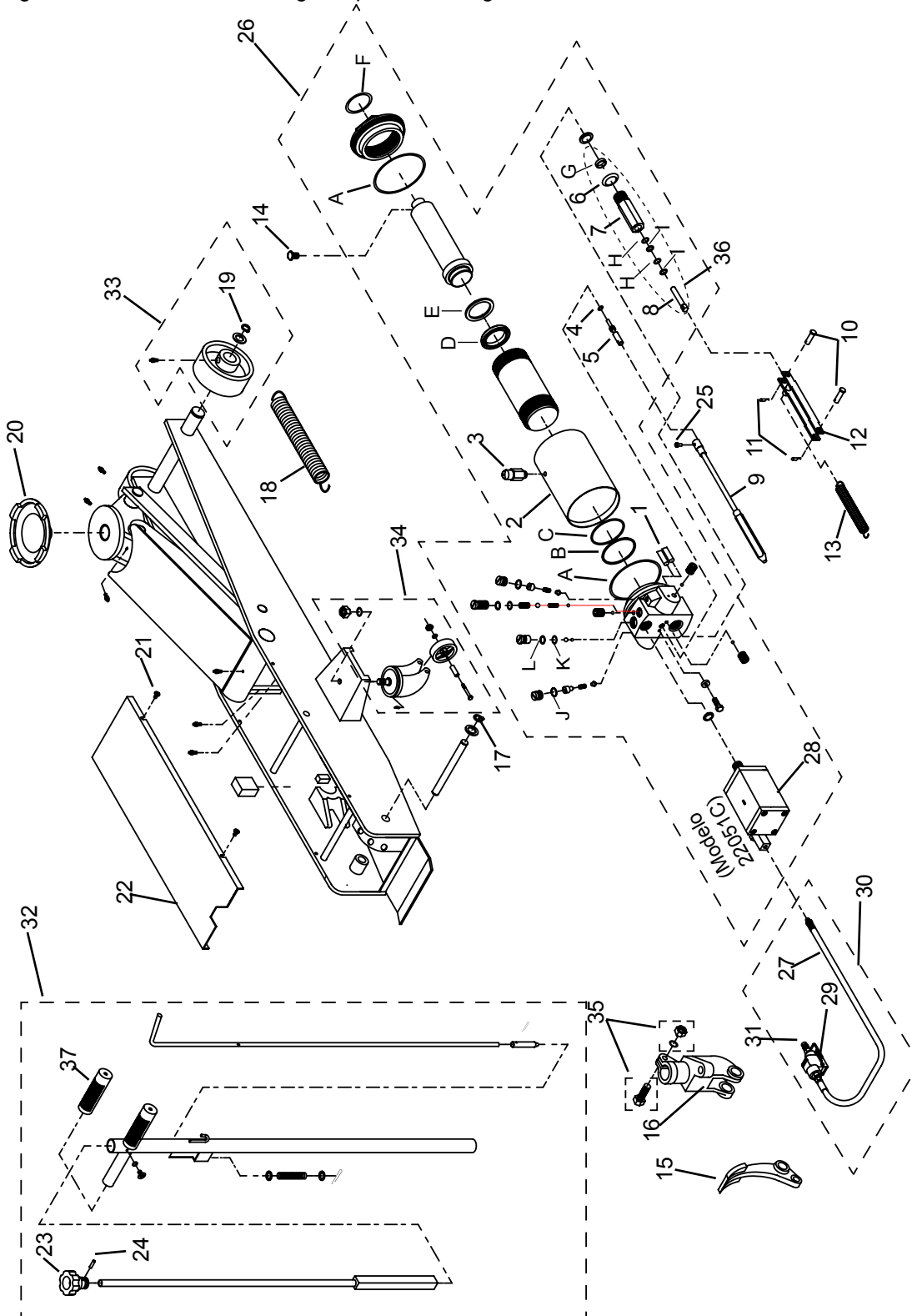


Figura 2: Ilustración de piezas de repuesto para los modelos 22050C y 22051C

Elemento	N.º de pieza para el modelo 22050C	N.º de pieza para el modelo 22051C	Descripción	Cant.
1		G251-20008-000	Filtro	2t
2		G250-20002-000	Depósito	1
3		G62S-03300-200	Tapón de llenado	1
4		5901-00071-000	Junta tórica, diá. 7,1 x 2,65	1
5		G250-20004-000	Válvula de liberación	1
6		B300-14002-000	Arandela	1
7		G651-31002-000	Cilindro de la bomba	1
8		G651-31001-000	Pistón de la bomba	1
9		G100-90049-K01	Liberar por cable	1
10		5405-12036-000	Pasador	2
11		5405-02028-000	Pasador de retención	2
12		G250-50000-000	Enlace del pistón	1
13		G251-00004-000	Resorte de retorno, pedal	1
14		5110-06016-000	Tornillo	1
15		G251-00009-000	Pedal para pie	1
16		G251-00010-000	Horquilla de la manija	1
17		5304-00018-000	Anillo a presión	2
18		G251-00003-000	Resorte de retorno	2
19		5304-00028-000	Anillo a presión	2
20		G25X-00001-000	Asiento	1
21		5110-06010-000	Tornillo, Phillips	4
22		G25X-00003-000	Cubierta	1
23		G251-40001-000	Perilla	1
24		5402-04028-000	Pasador del resorte	1
25		5105-05012-000	Tornillo	1
26	G250-02000-000	G250-90000-000	Unidad eléctrica hidráulica	1
27	N/D	A240-02100-000	Manguera de aire	1
28		G240-01000-000	Motor neumático	1
29		A240-02200-000	Válvula de control de elevación	1
30		A190-01000-000	Conjunto de la manguera	1
31		A20060-0016	Acoplador rápido, macho	1
32	G25X-90009-K03	G65X-90009-K01	Conjunto de la manija	1
33		G250-90004-K01	Conjunto de la rueda delantera	2
34		G250-90004-K02	Conjunto de la ruedecilla	2
35		G250-90009-K03	Conjunto del perno	1
36		G651-31000-000	Conjunto de la bomba	1
37		G251-00007-000	Agarre de la manija	2
-		G2506S-091 (incluye A a L)	Kit de aislamiento para unidad hidráulica	1
-	N/D	G250-90009-K04	Kit de aislamiento para motor neumático	1
-		G831-03210-000	Pistón para motor neumático	1

Contenido del kit de aislamiento (G2506S-091)

Elem.	Descripción	Cant.
A	Junta tórica, diá. 116 x 4	2
B	Junta tórica, diá. 73,8 x 3,5	1
C	Arandela de respaldo	1
D	Copa en U	1
E	Arandela de respaldo	1
F	Junta tórica, diá. 53 x 5	1

Elem.	Descripción	Cant.
G	Empaque	1
H	Junta tórica, diá. 15 x 2,65	2
I	Arandela de respaldo	2
J	Junta tórica, D8.2 x 2.4 (22050C Cant. 1)	2
K	Junta tórica, D14 x 2.65	1
L	Arandela de respaldo	1

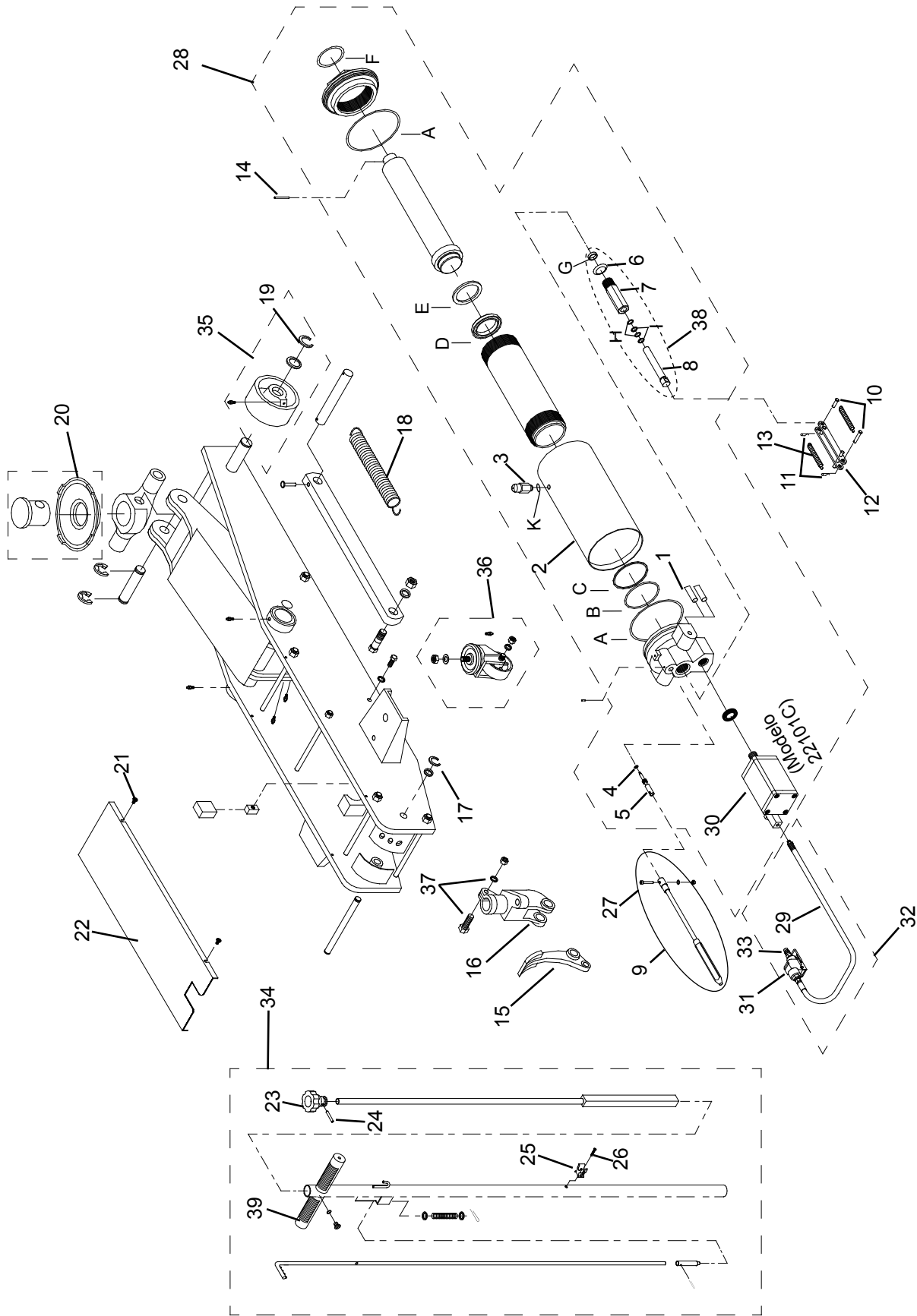


Figura 3: Ilustración de piezas de repuesto para los modelos 22100C y 22101C

Elemento	N.º de pieza para el modelo 22100C	N.º de pieza para el modelo 22101C	Descripción	Cant.
1		G251-20008-000	Filtro	2
2		G100-40003-000	Depósito	1
3		G62S-03301-000	Tornillo de llenado	1
4		5901-00071-000	Junta tórica, diá. 7,1 x 2,65	1
5		G251-20004-000	Válvula de liberación	1
6		B300-14002-000	Arandela	1
7		G651-31002-000	Cilindro de la bomba	1
8		G651-31001-000	Pistón de la bomba	1
9		G100-90049-K01	Liberar por cable	1
10		5405-12039-000	Pasador	2
11		5405-02028-000	Pasador de retención	2
12		G100-70000-000	Enlace del pistón	1
13		G100-00015-000	Resorte de retorno, pedal	2
14		5402-05025-000	Pasador	1
15		G251-00009-000	Pedal para pie	1
16		G251-00010-000	Horquilla de la manija	1
17		5304-00018-000	Anillo a presión	2
18		G100-00014-000	Resorte de retorno	1
19		5305-00024-000	Anillo a presión	2
20		G100-90049-K02	Conjunto del asiento	1
21		5111-55022-000	Tornillo, Phillips	4
22		G100-00016-000	Cubierta	1
23		G251-40001-000	Perilla	1
24		5402-04028-000	Pasador del resorte	1
25	N/D	A070-40009-000	Sujetador de la manguera	1
26		5110-04012-000	Tornillo, Phillips	1
27	5110-05025-000		Tornillo	1
28	G100-90009-K06	G100-90009-K05	Unidad eléctrica hidráulica	1
29	N/D	A240-02100-000	Manguera de aire	1
30		G240-01000-000	Motor neumático	1
31		A240-02200-000	Válvula de control de elevación	1
32		A190-01000-000	Conjunto de la manguera	1
33		A20060-0016	Acoplador rápido, macho	1
34	G100-90009-K01		Conjunto de la manija	1
35	G100-90004-K02		Conjunto de la rueda delantera	2
36	G661-90038-K03		Conjunto de la ruedecilla	2
37	G250-90009-K03		Conjunto del perno	1
38	G651-31000-000		Conjunto de la bomba	1
39	G251-00007-000		Agarre de la manija	2
-	G1006S-126		Kit de aislamiento para unidad hidráulica	1
-	N/D	G250-90009-K04	Kit de aislamiento para motor neumático	1
-		G831-03210-000	Pistón para motor neumático	1

GARANTÍA LIMITADA DE UN AÑO

Por el período de un (1) año desde la fecha de compra, **SFA Companies** reparará o reemplazará, a su discreción, sin costo alguno, cualquier producto que presente fallas debido a defectos de materiales o mano de obra bajo condiciones normales de uso. Esta garantía limitada es un recurso exclusivo del consumidor.

El cumplimiento de toda obligación en virtud de esta garantía puede obtenerse con el envío del producto en garantía, con flete abonado en origen, a **SFA Companies** Warranty Service Department, 10939 N. Pomona Ave., Kansas City, MO 64153.

Salvo que tales limitaciones y exclusiones estén específicamente prohibidas por las leyes vigentes, (1) EL ÚNICO Y EXCLUSIVO RECURSO DEL CONSUMIDOR SERÁ LA REPARACIÓN O EL REEMPLAZO DE LOS PRODUCTOS DEFECTUOSOS, COMO SE DETALLA ARRIBA. (2) **SFA Companies** NO SERÁ RESPONSABLE, EN NINGÚN CASO, POR DAÑOS O PÉRDIDAS EMERGENTES O INCIDENTALES. (3) TODA GARANTÍA IMPLÍCITA, LO QUE INCLUYE, ENTRE OTRAS, LAS GARANTÍAS IMPLÍCITAS DE COMERCIALIZACIÓN Y APTITUD PARA FINES ESPECÍFICOS, ESTARÁ LIMITADA A UN AÑO; DE OTRO MODO, LA REPARACIÓN, EL REEMPLAZO O LA DEVOLUCIÓN DE DINERO CONFORME A ESTA GARANTÍA LIMITADA EXPRESA SERÁ EL EXCLUSIVO RECURSO DEL CONSUMIDOR, Y SE OFRECE EN LUGAR DE CUALQUIER OTRA GARANTÍA, EXPRESA O IMPLÍCITA. (4) CUALQUIER MODIFICACIÓN, ALTERACIÓN, USO INDEBIDO, SERVICIO NO AUTORIZADO O DISEÑO ORNAMENTAL ANULARÁ ESTA GARANTÍA Y NO ESTARÁ CUBIERTO POR ESTA GARANTÍA.

Algunos estados no permiten la limitación de la duración de las garantías implícitas, por lo que las limitaciones anteriores pueden no aplicarse en su caso. Algunos estados no permiten excluir o limitar los daños emergentes o incidentales, por lo tanto esta limitación o exclusión puede no ser aplicable en su caso. Esta garantía le otorga derechos legales específicos. Usted puede tener además otros derechos que varían de un estado a otro.



SFA Companies
10939 N. Pomona Ave. Kansas City, MO 64153, U.S.A.
Tel.:(888)332-6419 Fax:(816)891-6599
Correo electrónico: sales@omegalift.com
Sitio web de Omega: <http://www.omegalift.com>

OMEGALIFT[™]
EQUIPMENT

SFA Companies
10939 N. Pomona Ave. Kansas City, MO 64153, U.S.A.
Tel: (888) 332-6419 Fax: (816) 891-6599
e-mail: sales@omegalift.com
Omega Website: <http://www.omegalift.com>

OMEGALIFT™
EQUIPMENT

SFA Companies
10939 N. Pomona Ave. Kansas City, MO 64153, U.S.A.
Tel:(888)332-6419 Fax:(816)891-6599
e-mail:sales@omegalift.com
Omega Website: <http://www.omegalift.com>