

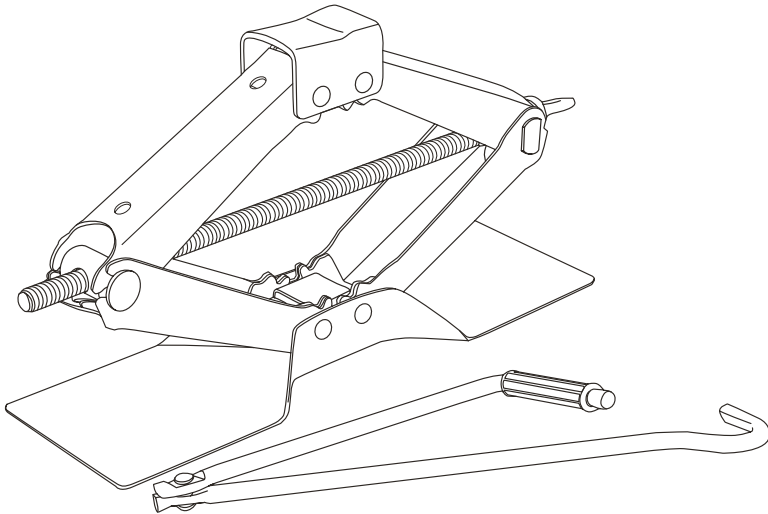
PRO-LIFT®

Mechanical Scissor Jack

Operating Instructions & Parts Manual

Model Number
T-9456

Capacity
3,000 lbs



- ⚠ **WARNING:** Cancer and Reproductive Harm.
⚠ **AVERTISSEMENT:** Cancer et dommages au système reproducteur.
⚠ **ADVERTENCIA:** Cáncer y daño reproductivo.
www.P65Warnings.ca.gov

⚠ WARNING



To avoid **crushing and related injuries:**

- **NEVER** work under a load supported only by a jack.
- **ALWAYS** use a pair of adequately rated jack stands.

SFA Companies, Inc.
10939 N. Pomona Ave.
Kansas City, MO 64153
Phone 1-816-891-6390

Printed in China
T-9456-M0_072019

Save these instructions. For your safety, please read, understand and follow the information contained within before use. The owner and operator shall have an understanding of this product and safe operating procedures before attempting to use. Instructions and safety information shall be conveyed in the operators native language before use is authorized. Make certain that the operator thoroughly understands the inherent dangers associated with the use and misuse of the product. If any doubt exists as to the safe and proper use of this device as outlined in this factory authorized manual, remove from service until which time it is clear. This jack is not suitable for use in lifting, leveling and/or positioning houses, construction trailers and dwellings in general. **Inspect before each use.** Do not use if cracked, broken, bent or otherwise damaged parts are noted or if the jack is suspected to have been subjected to a shock load. Discontinue use until checked out by an authorized factory service center. Owner and operators of this device shall be aware that no serviceable or replaceable parts are available for this device. Do not attempt to weld, rivet or otherwise repair this device. It is recommended that an annual inspection be done to this device by qualified persons and that missing or damaged labels, warning/safety decals be replaced with ones that are factory authorized. Always reference the Product Label and Owner's Manual to establish rated capacity.

PRODUCT DESCRIPTION

This jack is intended for lifting and temporary support of vehicle for emergency tire changing only and use for any other purpose may result in serious injury or property damage.

BEFORE USE

1. Verify that the product and the application are compatible, if in doubt call **Pro-Lift Customer Support @ (816) 891-6390.**
2. Before using this product, read the owner's manual completely and familiarize yourself thoroughly with the product, its components and recognize the hazards associated with its use. Check with vehicle owner's manual for proper lift points.

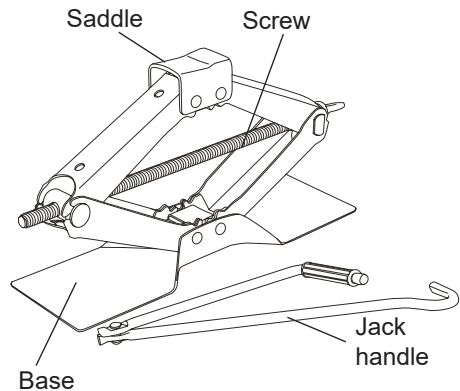


Figure 1 - Model T-9456 Nomenclature

!WARNING

Study, understand, and follow all printed materials provided with and on this device. Do not use this product before reading and understanding the tire changing procedures as outlined in the vehicle owners manual or tire changing compartment of the vehicle. Do not exceed rated capacity as outlined in the height/weight curve (see Fig. 2). Use only on hard, level surfaces capable of sustaining rated capacity loads. Use for emergency tire changing only. Never put any portion of body under a vehicle supported by the jack. Activate the hazard warning flasher, turn off ignition, set parking brake, move automatic transmission to park position. In case of manual transmission, put it in reverse gear if car is facing downhill and lowest gear if car is facing uphill. In addition, the wheel diagonally opposite from the wheel being lifted shall be chocked in both directions. Lift only on areas of the vehicle as specified by the vehicle manufacturer. Follow tire changing procedures as per vehicle owners manual. Use **ONLY** the provided operating handle or factory replacement. Failure to heed these messages may result in personal injury and/or property damage.

! SAFETY MESSAGE !

Be sure all tools and personnel are clear before lowering load. No alterations shall be made to this device. Only attachments and/or adapters supplied by the manufacturer shall be used. Lift only on areas of the vehicle as specified by the vehicle manufacturer.

HEIGHT / WEIGHT CURVE

This device is designed to sustain the following loads at these specified heights. **DO NOT EXCEED** the rated capacity for each position.

Height (inches)	Weight (lbs)
5	1,000
9	2,000
11	2,400
14	3,000

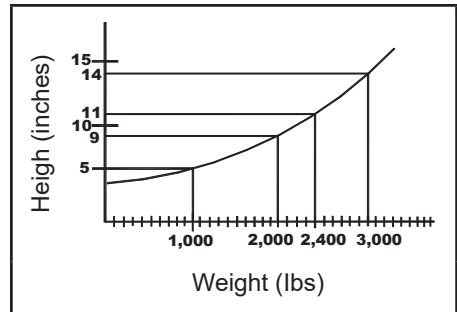


Figure 2 - Height/Weight Curve

OPERATION

Lifting (refer to Fig 1,)

1. Place vehicle in park, with emergency brake on and the wheel diagonally opposite from the wheel being lifted chocked in both directions.
2. Insert the handle into the hole of the handle socket. Center the saddle under lift point. Jack shall be positioned perpendicular to the vehicle's rolling axis.
3. Hold the straight portion of the hooked shaft with one hand while turning the L-shaped handle clockwise.
4. Continue to crank it until you reach the desired height, but never beyond a point just high enough to remove and install the tire.

Lowering

Turn the L-shaped handle counter-clockwise to lower the vehicle.

MAINTENANCE

Lubrication

Lubricate the thread and bearing with wheel bearing grease. A periodic coating of light lubricating oil to pivot points, axles and hinges will help to prevent rust and assure parts move freely.

Note: Never apply lubricant directly on top of saddle.

Cleaning

Periodically check the jack for signs of rust and corrosion.

Storage

When not in use, store the jack with saddle fully lowered.

ONE YEAR LIMITED WARRANTY

For a period of one (1) year from date of purchase, **SFA Companies, Inc.** will repair or replace, at its option, without charge, any of its products which fails due to a defect in material or workmanship under normal usage. This limited warranty is a consumer's exclusive remedy.

Performance of any obligation under this warranty may be obtained by returning the warranted product, freight prepaid, to **SFA Companies, Inc.** Warranty Service Department, 10939 N. Pomona Ave., Kansas City, MO 64153.

Except where such limitations and exclusions are specifically prohibited by applicable law, (1) THE CONSUMER'S SOLE AND EXCLUSIVE REMEDY SHALL BE THE REPAIR OR REPLACEMENT OF DEFECTIVE PRODUCTS AS DESCRIBED ABOVE. (2) **SFA Companies, Inc.** SHALL NOT BE LIABLE FOR ANY CONSEQUENTIAL OR INCIDENTAL DAMAGE OR LOSS WHATSOEVER. (3) ANY IMPLIED WARRANTIES, INCLUDING WITHOUT LIMITATION THE IMPLIED WARRANTIES OF MERCHANTABILITY AND FITNESS FOR A PARTICULAR PURPOSE, SHALL BE LIMITED TO ONE YEAR, OTHERWISE THE REPAIR, REPLACEMENT OR REFUND AS PROVIDED UNDER THIS EXPRESS LIMITED WARRANTY IS THE EXCLUSIVE REMEDY OF THE CONSUMER, AND IS PROVIDED IN LIEU OF ALL OTHER WARRANTIES, EXPRESS OR IMPLIED. (4) ANY MODIFICATION, ALTERATION, ABUSE, UNAUTHORIZED SERVICE OR ORNAMENTAL DESIGN VOIDS THIS WARRANTY AND IS NOT COVERED BY THIS WARRANTY.

Some states do not allow limitations on how long an implied warranty lasts, so the above limitation may not apply to you. Some states do not allow the exclusion or limitation of incidental or consequential damages, so the above limitation or exclusion may not apply to you. This warranty gives you specific legal rights, and you may also have other rights, which vary from state to state.

PRO-LIFT®

SFA Companies, Inc.
10939 N. Pomona Ave., Kansas City, MO 64153
Phone (816)891-6390, Fax (816)891-6599