



**PREMIUM SHOP WORK BENCH
& TOOL CABINET
(PWB-TC-1600)**

**HEAVY DUTY STEEL CONSTRUCTION
1,600 LBS. CAPACITY**



INSTALLATION INSTRUCTIONS

CAUTION

BEFORE USE, PLEASE READ ALL SAFETY AND OPERATION INSTRUCTIONS TO PREVENT INJURY OR DAMAGES.

PRODUCT DESCRIPTION

The iDEAL PWB-TC-1600 is a Premium Work Bench with a lockable / two drawer Tool Cabinet designed for a wide range of applications with a large 59.5" x 27.5" tabletop work area & max weight capacity of 1600 lbs. The iDEAL Work Bench is constructed with heavy duty 10 Gauge (0.100 Inch) Steel, designed & built tough enough to handle what-ever you need to throw on it.

SPECIFICATIONS

Product Model	PWB-TC-1600
Support Capacity	1,600 lbs.
Overall Size	60+W x 28+L x 34.75+H
Work Top Area	59.5+W x 27.5+L
Tool Cabinet Size	26.25+W x 16+L x 10+H
Steel Thickness	2.54mm (.100+)
Ship Weight	155 lbs. (3 pcs)

GENERAL SAFETY RULES



WARNING: The warnings, cautions, and instructions noted in this instruction manual cannot cover all possible conditions or situations that could occur. It must be understood by the operator that common sense and caution are factors which cannot be built into this product but must be supplied by the operator.

SAVE THESE INSTRUCTIONS

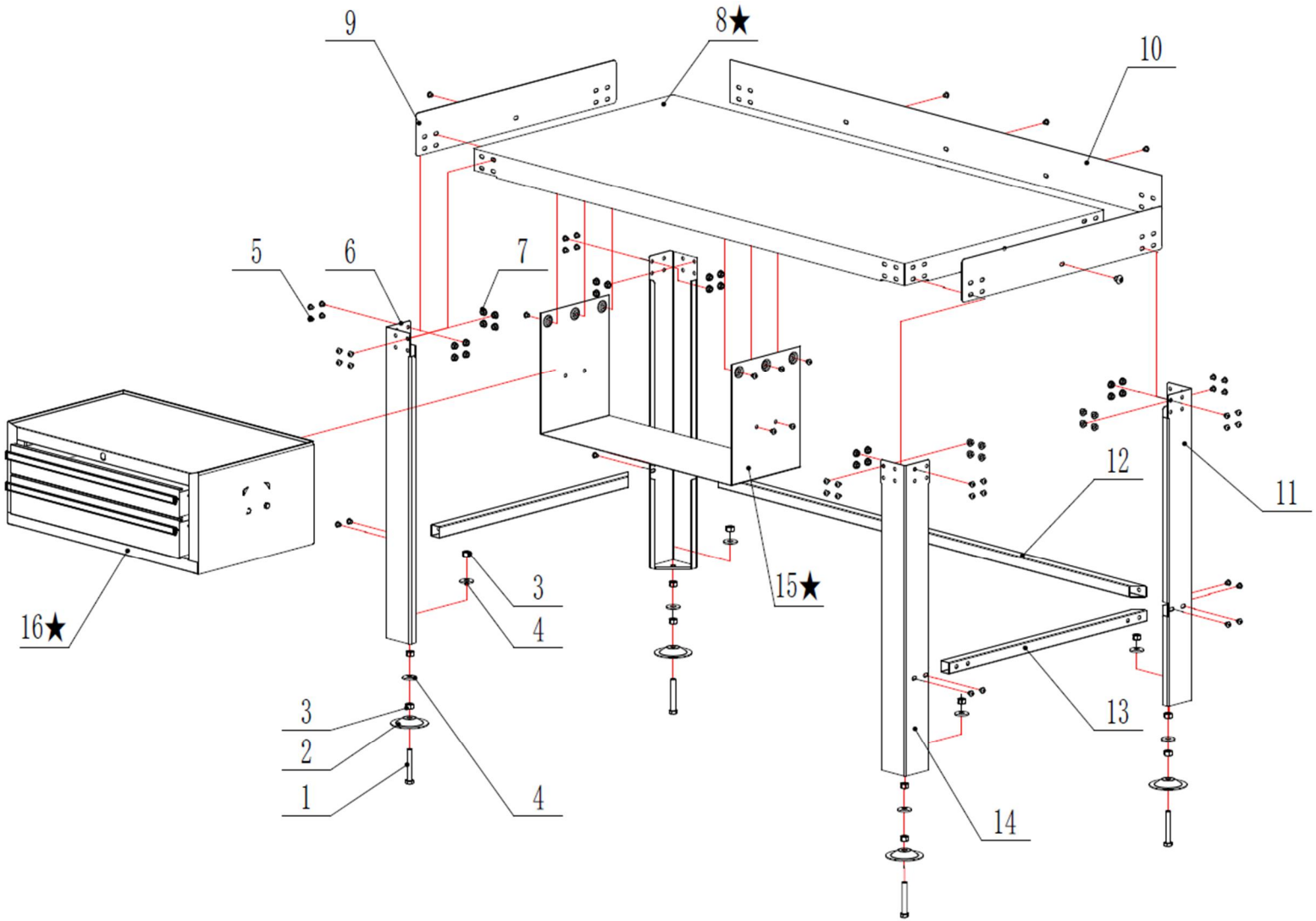
WORK AREA

- **Keep the work area clean**, free of clutter and well lit. Cluttered and dark work areas can cause accidents.
- **Keep children and bystanders** away while operating. Distractions can cause you to lose control or focus, thus visitors should remain at a safe distance from the work area.
- **Be aware of all power lines, electrical circuits**, water pipes and other mechanical hazards in your work area, particularly those hazards below the work surface hidden from the operator's view that may be unintentionally contacted and may cause personal harm or property damage.

PERSONAL SAFETY

- **Use safety apparel and equipment.** Use safety goggles or safety glasses with side shields to comply with current national standards, or when needed, a face shield. Use dust mask in dusty work conditions, which applies to all persons in the work area. Wear non-skid safety shoes, hardhat, gloves, dust collection systems and hearing protection when appropriate.
- **Do not overreach.** Always keep the proper footing and balance.
- **Secure your work** with clamps or vise instead of using your hands to hold work, when practical. (*This safety precaution allows for the proper tool operation using both hands.*)
- **Store idle tools.** When tools are not in use, store them in a dry, secure place out of the reach of children. Inspect your tools to ensure that they are in good working condition prior to storage and before re-use.
- **Use only accessories that are recommended** by the manufacturer for your model.
- **Keep guards in place** and in proper working order.
- **Use only on a flat, level surface.**

ASSEMBLY / EXPLODED VIEW



PARTS LIST

ITEM	TUX P/N	DESCRIPTION	QTY
1	PWB-1600-001	BOLT, M12 x 75MM	4
2	PWB-1600-002	LEG FOOT PLATE	4
3	PWB-1600-003	HEX NUT, M12	12
4	PWB-1600-004	FLAT WASHER, M12	8
5	PWB-1600-005	SOCKET HEX BOLT, M8 X 14MM	48
6	PWB-1600-006	FRONT / LEFT LEG	1
7	PWB-1600-007	FLANGE NUT, M8	32
8	PWB-1600-008	PLATFORM TOP	1
9	PWB-1600-009	PLATFORM, SIDE FENCE	2
10	PWB-1600-010	PLATFORM, REAR FENCE	1
11	PWB-1600-011	REAR LEG	2
12	PWB-1600-012	LONG, REAR BRACE	1
13	PWB-1600-013	SHORT, SIDE BRACE	2
14	PWB-1600-014	FRONT / RIGHT LEG	1
15	PWB-TC-1600-015	TOOL CABINET, MOUNT BRACKET	1
16	PWB-TC-1600-016	TWO DRAWER / TOOL CABINET	1

LIMITED WARRANTY

Structural Warranty:

The following parts and structural components carry a five-year warranty:

Columns	Arms	Uprights	Swivel Pins
Legs	Carriages	Overhead Beam	
Tracks	Cross Rails	Top Rail Beam	

Limited One-Year Warranty:

Tuxedo Distributors, LLC (iDEAL) offers a limited one-year warranty to the original purchaser of Lifts and Wheel Service equipment in the United States and Canada. Tuxedo will replace, without charge, any part found defective in materials or workmanship under normal use, for a period of one year after purchase. The purchaser is responsible for all shipping charges. This warranty does not apply to equipment that has been improperly installed or altered or that has not been operated or maintained according to specifications.

Other Limitations:

This warranty does not cover:

1. Parts needed for normal maintenance
2. Wear parts, including but not limited to cables, slider blocks, chains, rubber pads and pulleys
3. Replacement of lift and tire changer cylinders after the first 30 days. A seal kit and installation instructions will be sent for repairs thereafter.
4. On-site labor

Upon receipt, the customer must visually inspect the equipment for any potential freight damage before signing clear on the shipping receipt. Freight damage is not considered a warranty issue and therefore must be noted for any potential recovery with the shipping company.

The customer is required to notify Tuxedo of any missing parts within 72 hours. Timely notification must be received to be covered under warranty.

Tuxedo will replace any defective part under warranty at no charge as soon as such parts become available from the manufacturer. No guarantee is given as to the immediate availability of replacement parts.

Tuxedo reserves the right to make improvements and/or design changes to its lifts without any obligation to previously sold, assembled or fabricated equipment.

There is no other express warranty on the Tuxedo lifts and this warranty is exclusive of and in lieu of all other warranties, expressed or implied, including all warranties of merchantability and fitness for a particular purpose.

To the fullest extent allowed by law, Tuxedo shall not be liable for loss of use, cost of cover, lost profits, inconvenience, lost time, commercial loss or other incidental or consequential damages.

This Limited Warranty is granted to the original purchaser only and is not transferable or assignable.

Some states do not allow exclusion or limitation of consequential damages or how long an implied warranty lasts, so the above limitations and exclusions may not apply. This warranty gives you specific legal rights and you may have other rights, which may vary from state to state.

8320 E Hwy 67, Alvarado, TX 76009
Ph. 817-558-9337 / Fax 817-558-9740