



**Blackhawk
Automotive**™

Blackhawk Automotive is a Licensed Trade Mark

Made by SFA Companies, Kansas City, MO

Air Actuated Bottle Jacks

Operating Instructions & Parts Manual

Model	Capacity
BH2128	12 Ton
BH2208	20 Ton
BH2308	30 Ton



This is the safety alert symbol. It is used to alert you to potential personal injury hazards. Obey all safety messages that follow this symbol to avoid possible injury or death.

ADVERTENCIA

- Leer, comprender, y seguir las instrucciones antes de utilizar el aparato.
- El manual de instrucciones y la información de seguridad deben estar comunicados en lengua del operador antes del uso.
- No seguir estas indicaciones puede causar daños personales o materiales.

WARNING

To avoid **crushing and related injuries**:



- **NEVER** work on, under or around a load supported only by a hydraulic jack.
- **ALWAYS** use adequately rated jack stands.

SFA Companies
10939 N. Pomona Ave. Kansas City, MO 64153
sales@blackhawk-automotive.com

Read this manual and follow all the Safety Rules and Operating Instructions before using this product.

Printed in PRC
BH2128-M1 rev 06/09


SAFETY and GENERAL INFORMATION

Save these instructions. For your safety, read, understand, and follow the information provided with and on this jack before using. The owner and operator of this equipment shall have an understanding of this jack and safe operating procedures before attempting to use. The owner and operator shall be aware that use and repair of this product may require special skills and knowledge. Instructions and safety information shall be conveyed in the operator's native language before use of this jack is authorized. If any doubt exists as to the safe and proper use of this jack, remove from service immediately.

Inspect before each use. Do not use if broken, bent, cracked or damaged parts are noted. Any jack that appears damaged in any way, or operates abnormally shall be removed from service immediately. If the jack has been or suspected to have been subjected to a shock load (a load dropped suddenly, unexpectedly upon it), immediately discontinue use until jack has been checked by a factory authorized service center (contact distributor or manufacturer for list of authorized service centers). It is recommended that an annual inspection be done by qualified personnel. Labels and Operator's Manuals are available from manufacturer.

PRODUCT DESCRIPTION

Blackhawk Automotive Air Actuated Bottle Jacks are designed to lift, not support, rated capacity loads consisting of one end of a vehicle. Immediately after lifting, the load must be supported by a pair of appropriately rated jack stands. Ensure that air source can dedicate 7.8 CFM @ 110-175 psi to each jack operated. A minimum of 150 psi air pressure is required to raise rated capacity load.

 **Never use hydraulic jack as a stand alone device. After lifting, immediately support the lifted load with a pair of appropriately rated jack stands. Never place any portion of your body under a load when lifting or lowering the load.**

PREPARATION

Before Use

1. Verify that the product and application are compatible, if in doubt call Customer Support (816) 891-6390.
2. Before using this product, read the operator's manual completely and familiarize yourself thoroughly with the product, its components and recognize the hazards associated with its use.
3. Assemble handle, ensure spring clips align with slots.
4. To familiarize yourself with basic operation, use the notched end of provided handle to engage and turn the release valve:
 - a. Clockwise until firm resistance is felt to further turning. This is the '**CLOSED**' release valve position used to **raise** the ram plunger.
 - b. Counter-clockwise, but no more than 1 turn from the closed position. This is the '**OPEN**' release valve position used to **lower** the ram plunger.
5. With ram fully retracted, locate and remove the oil filler plug/screw. Insert the handle into the handle sleeve, then pump 6 to 8 strokes. Ensure the oil level is just below the oil filler hole. Reinstall the oil filler plug/screw.
6. Pour a teaspoon of good quality, air tool lubricant into the air supply inlet of the lift control valve. Connect to air supply and squeeze lift control valve for 3 seconds to evenly distribute lubricant.
7. This product is equipped with the popular 1/4" NPT air coupler. When installing a different air coupler of your choice, ensure that thread tape or compound is used when servicing connections. To ensure dependable, trouble free operation an inline air dryer and oiler is recommended.
8. Check that the pump operates smoothly and that the extension screw will thread up/down easily before putting into service. Replace worn or damaged parts and assemblies with Blackhawk Automotive authorized replacement parts only.

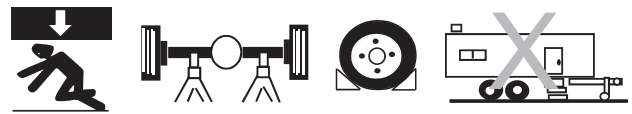
Bleeding / Venting Trapped Air

With the release valve in the OPEN position (4b above) and with ram plunger fully lowered, locate and remove the oil filler plug/screw. Insert the handle into the handle sleeve; then pump 6 to 8 full strokes. This will help release any pressurized air which may be trapped within the reservoir. Oil level should be even with the bottom of the oil filler hole. Reinstall the oil filler plug/screw.

⚠ WARNING

- **Study, understand, and follow** all printed materials provided with/on this product before use.
- **Do not** exceed rated capacity.
- **This is a lifting device only!**
- **Immediately** after lifting, support the load with a **pair** of appropriately rated jack stands.
- Use only on hard, level surface.
- Do not use adapters or accessories that are not provided initially.
- Lift only on areas of the vehicle as specified by the vehicle manufacturer.
- Never wire, clamp or otherwise disable the lift control valve to function by other than operator's hand.
- No alterations shall be made to this product.
- Failure to heed these markings may result in personal injury and/or property damage.

⚠ WARNING



To avoid **crushing and related injuries**:

- **Never** work on, under or around a load supported only by hydraulic jack.
- **Always** use adequately rated jack stands.
- Chock each unlifted tire in both directions.
- **Do not** use this device to lift, level, lower, support nor move a house, mobile home, travel trailer, camper or any building structure.
- **Be alert and sober** when using this product. Do not operate under the influence of drugs or alcohol.

⚠ *Be sure all tools and personnel are clear before lowering load. Only attachments and/or adapters supplied by the manufacturer shall be used. Lift only on areas of the vehicle as specified by the vehicle manufacturer.*

SPECIFICATIONS

Model	Capacity	Base Size (L x W)	Saddle Diameter	Min. Height	Max. Height	Hydraulic Lift	Ext. Screw
BH2128	12 Ton	8" x 6-1/2"	1-5/8"	9-1/2"	18-1/2"	5-1/2"	3-1/2"
BH2208	20 Ton	8-1/2" x 7-1/4"	2"	9-3/4"	18-3/4"	5-1/8"	3-7/8"
BH2308	30 Ton	10-1/4" x 8-1/4"	2-1/2"	11"	18-1/8"	7-1/8"	N/A

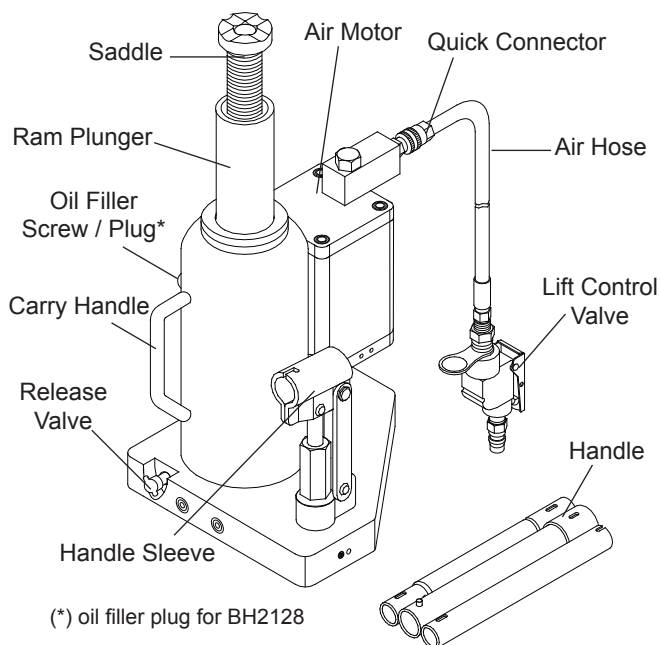


Figure 1 - BH2128 & BH2208 Nomenclature

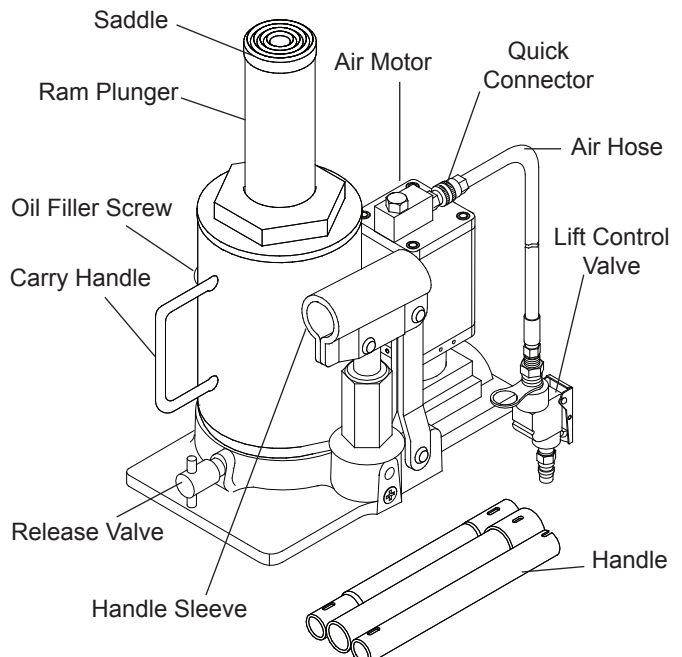




Figure 2 - BH2308 Nomenclature

OPERATION


Raising the Ram Plunger

1. Assemble handle, ensure that spring clips align with slots.
2. Place vehicle in the park, with emergency brake on and wheel securely chocked to prevent inadvertent vehicle movement.
3. Locate and close release valve by turning handle clockwise until firm resistance is felt to further thread engagement.
4. Verify lift point, center jack saddle under lift point.
5. Squeeze the lift control valve or insert handle into handle sleeve and pump to contact lift point. To lift, continue pumping until load reaches desired height. **DO NOT OPERATE BY AIR AND BY HAND PUMPING AT THE SAME TIME.**
6. **Immediately** transfer the lifted load to a pair of appropriately rated jack stands.

 *Use only handle provided by jack manufacturer. The handle provided with this jack will safely engage the release valve and operate the handle sleeve. If handle is worn, operates abnormally, or will not positively engage the release valve, **STOP**, discontinue use of the jack until a factory replacement handle can be acquired.*

 *Do not use an extender on the air hose or the operating handle.*

Lowering

 *Make certain that all personnel are clear of the load before lowering. **Control** the rate of descent of the load **at all times**. The **more** you open the release valve, the **faster** the load descends.*

1. Raise load high enough to clear the jack stands, then carefully remove jack stands (**always** used in pairs).
2. Slowly turn the handle counter-clockwise, but no more than 1 turn. If the load fails to lower:
 - a. Use another jack to raise the vehicle high enough to reinstall jack stands.
 - b. Remove the affected jack and then the stands.
 - c. Lower the load by turning the release valve counter-clockwise, but no more than 1 turn.
3. After removing jack from under the load, push ram and handle sleeve down to reduce exposure to rust and contamination.

MAINTENANCE

Important: Use only good grade hydraulic jack oil. Avoid mixing different types of fluid and NEVER use brake fluid, turbine oil, transmission fluid, motor oil or glycerin. Improper fluid can cause premature failure of the jack and the potential for sudden and immediate loss of load. We recommend Mobil DTE 13M or equivalent.

Adding oil

1. With ram plunger fully lowered and pump piston fully depressed, set jack in its upright, level position. Remove oil filler screw.
2. Fill with oil until just below the rim of the oil filler screw hole. Reinstall the oil filler plug/screw.

Changing oil

For best performance and longest life, replace the complete fluid supply at least once per year.

1. With ram plunger fully lowered and pump piston fully depressed, remove the oil filler plug/screw.
2. Lay the jack on its side and drain the fluid into a suitable container.
Note: Dispose of hydraulic oil in accordance with local regulations.
3. Fill with oil until just below the rim of the oil filler hole. Reinstall the oil filler plug/screw.

Lubrication

1. A periodic coating of light lubricating oil to pivot points will help to prevent rust and assure that pump assemblies move freely.
2. Air pump should be internally lubricated before each use. Use good quality air tool lubricant. If no inline oiler is used, pour a teaspoon of air tool oil into the air control valve inlet. Operate the jack with air pressure to fully distribute the oil inside the air motor.

Cleaning

Periodically check the pump piston and ram for signs of rust/corrosion. Clean as needed and wipe with oily cloth.

Note: Never use sandpaper or abrasive material on these surfaces!

Storage

When not in use, store the jack with pump piston and ram plunger fully retracted and air supply disconnected.

TROUBLESHOOTING

Symptom	Possible Causes	Corrective Action
Jack will not lift load	<ul style="list-style-type: none"> • Release valve not tightly closed • Overload condition • Air pressure inadequate 	<ul style="list-style-type: none"> • Ensure release valve tightly closed • Remedy overload condition • Ensure adequate air pressure
Jack will lift, but not maintain pressure	<ul style="list-style-type: none"> • Release valve not tightly closed • Overload condition • Hydraulic unit malfunction 	<ul style="list-style-type: none"> • Ensure release valve tightly closed • Remedy overload condition • Contact Blackhawk Tech. Service
Jack will not lower after unloading	<ul style="list-style-type: none"> • Reservoir overfilled 	<ul style="list-style-type: none"> • Ensure load is removed, then drain fluid to proper level
Poor lift performance	<ul style="list-style-type: none"> • Fluid level low • Air trapped in system 	<ul style="list-style-type: none"> • Ensure proper fluid level • With ram fully retracted, remove oil filler plug/screw to let pressurized air escape, then reinstall oil filler plug/screw
Will not lift to full extension	<ul style="list-style-type: none"> • Fluid level low 	<ul style="list-style-type: none"> • Ensure proper fluid level

ONE YEAR LIMITED WARRANTY

For a period of one (1) year from date of purchase, **SFA Companies** will repair or replace, at its option, without charge, any of its products which fails due to a defect in material or workmanship under normal usage. This limited warranty is a consumer's exclusive remedy.

Performance of any obligation under this warranty may be obtained by returning the warranted product, freight prepaid, to **SFA Companies** Warranty Service Department, 10939 N. Pomona Ave., Kansas City, MO 64153.

Except where such limitations and exclusions are specifically prohibited by applicable law, (1) THE CONSUMER'S SOLE AND EXCLUSIVE REMEDY SHALL BE THE REPAIR OR REPLACEMENT OF DEFECTIVE PRODUCTS AS DESCRIBED ABOVE. (2) **SFA Companies** SHALL NOT BE LIABLE FOR ANY CONSEQUENTIAL OR INCIDENTAL DAMAGE OR LOSS WHATSOEVER. (3) ANY IMPLIED WARRANTIES, INCLUDING WITHOUT LIMITATION THE IMPLIED WARRANTIES OF MERCHANTABILITY AND FITNESS FOR A PARTICULAR PURPOSE, SHALL BE LIMITED TO ONE YEAR, OTHERWISE THE REPAIR, REPLACEMENT OR REFUND AS PROVIDED UNDER THIS EXPRESS LIMITED WARRANTY IS THE EXCLUSIVE REMEDY OF THE CONSUMER, AND IS PROVIDED IN LIEU OF ALL OTHER WARRANTIES, EXPRESS OR IMPLIED. (4) ANY MODIFICATION, ALTERATION, ABUSE, UNAUTHORIZED SERVICE OR ORNAMENTAL DESIGN VOIDS THIS WARRANTY AND IS NOT COVERED BY THIS WARRANTY.

Some states do not allow limitations on how long an implied warranty lasts, so the above limitation may not apply to you. Some states do not allow the exclusion or limitation of incidental or consequential damages, so the above limitation or exclusion may not apply to you. This warranty gives you specific legal rights, and you may also have other rights, which vary from state to state.



SFA Companies
 10939 N. Pomona Ave. Kansas City, MO 64153
 816-891-6390
sales@blackhawk-automotive.com

REPLACEMENT PARTS

(refer to page 6 thru 8)

Not all components of the jack are replacement items, but are illustrated as a convenient reference of location and position in the assembly sequence. When ordering parts, give Model number, serial number and parts description. Call or write for current pricing: SFA Companies, 10939 N. Pomona Ave. Kansas City, MO 64153, U.S.A. Tel:(816)891-6390 Fax:(816)891-6599 E-Mail: sales@blackhawk-automotive.com

Replacement Parts Illustration for Model BH2128 & BH2208

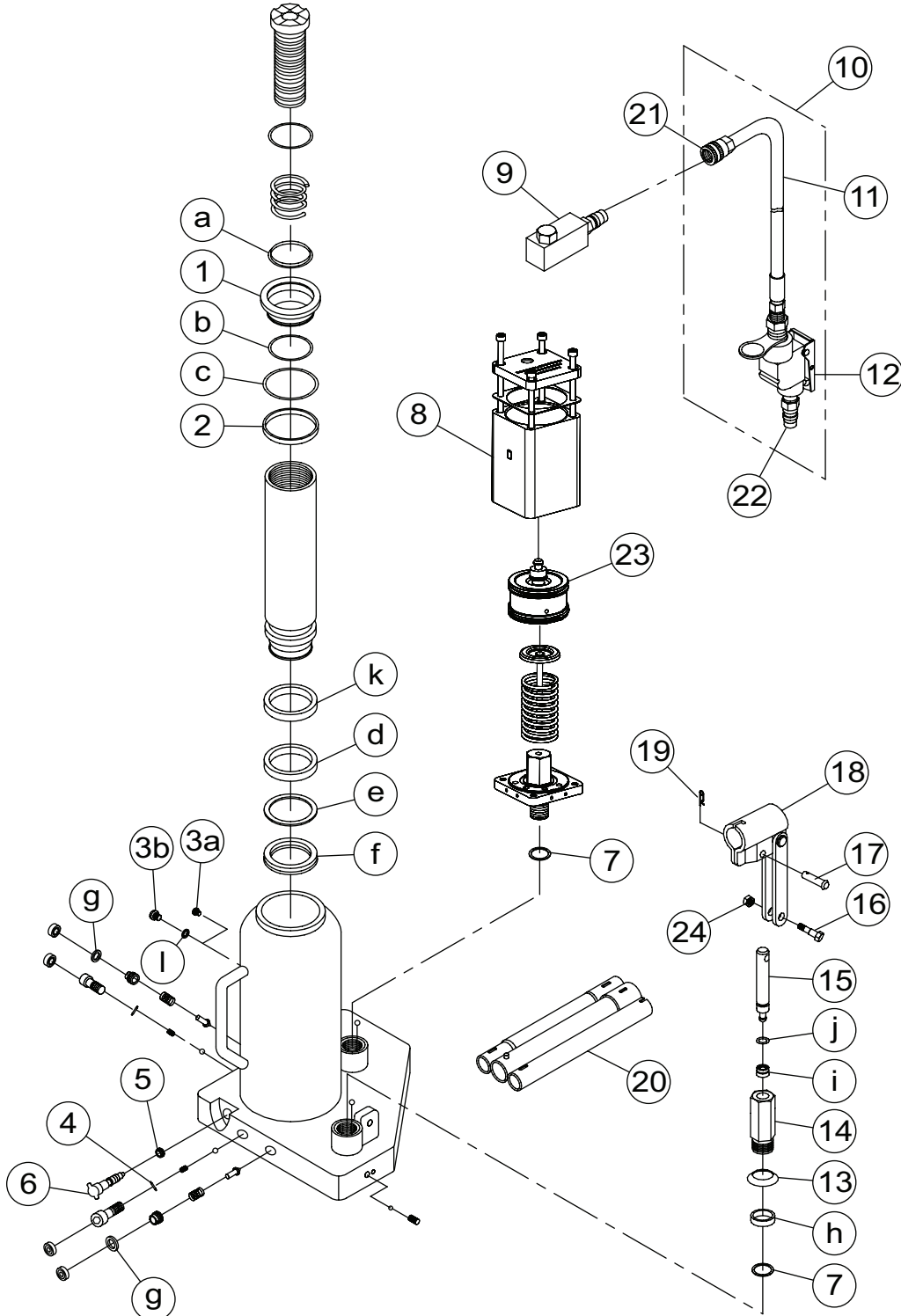


Figure 3 - Model BH2128 & BH2208 Replacement Parts Illustration

Replacement Parts List for Models BH2128 & BH2208

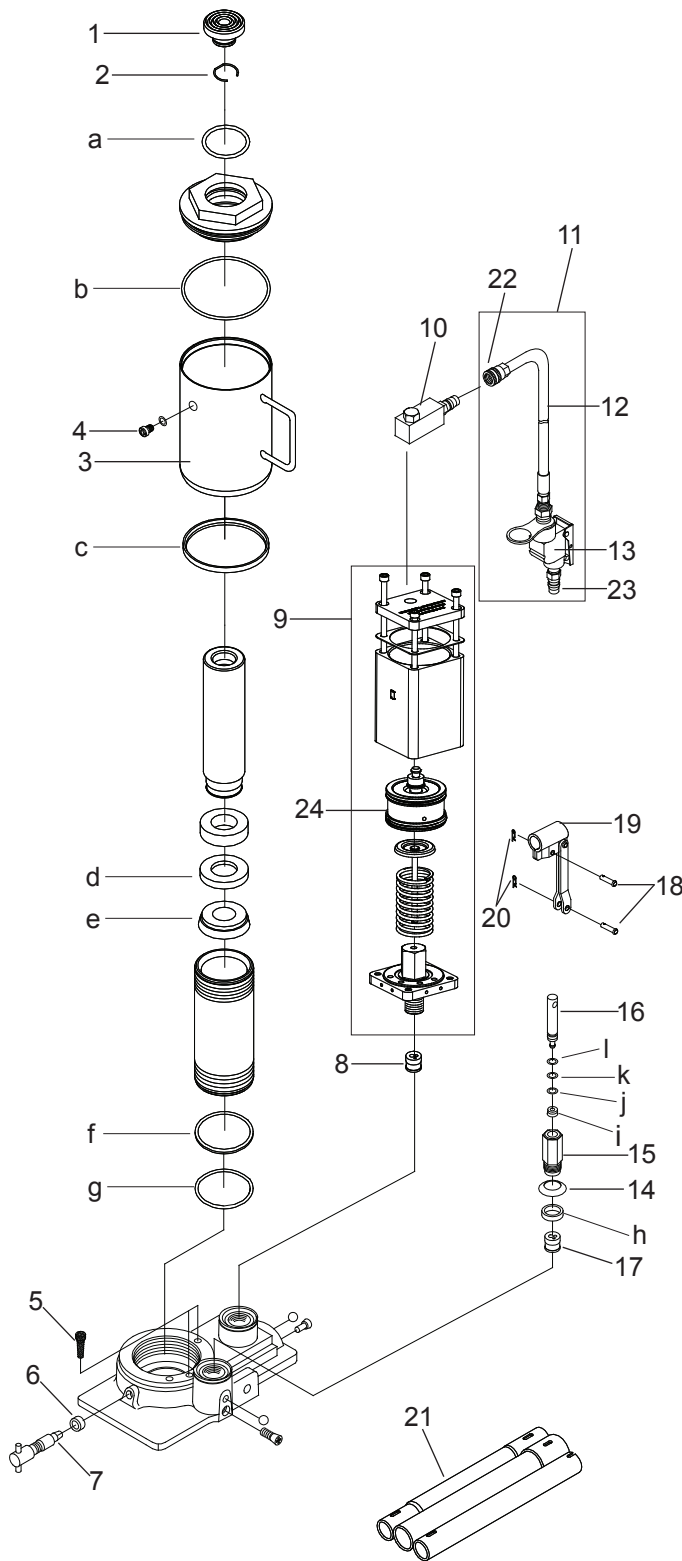
Item	Part# for BH2128	Part# for BH2208	Description	Qty.
1	A120-10004-000	A190-10002-000	Cylinder Fastener	1
2	A120-10003-000	A190-10001-000	Guide Ring	1
3a	5905-00100-200	N/A	Filler Plug	1
3b	N/A	G62S-03301-000	Filler Screw	1
4	A120-10002-000		Special Washer	2
5	5905-00054-000		Seal	1
6	BT10-24001-000		Release Valve	1
7	5308-00095-000		Gasket	2
8	A27010-0001		Air Motor	1
9	A27010-0002		Air Inlet Swivel	1
10	A20060-0005		Hose Assy.	1
11	A20060-0006		Air Hose	1
12	A20060-0007		Lift Control Valve	1
13	B020-15002-000		Washer	1
14	B080-15001-000		Pump Cylinder	1
15	A120-15101-000		Pump Piston	1
16	5115-08033-000		Bolt	1
17	5405-07024-000		Pin	1
18	A120-13000-000		Handle Socket	1
19	5405-02018-000		Snap Pin	1
20	B10N-21000-000		Handle Assembly	1
21	A27010-0011		Air Coupler, Female 1/4 NPT	1
22	A20060-0016		Air Coupler, Male 1/4 NPT	1
23	A27010-0008		Piston, Air Motor	1
24	5206-00008-001		Nut	1
*	A1206S-046	A1906S-047	Seal Kit (includes #4a, 6 & a~l)	-
-	A27010-0000		Seal Kit, Air Motor	-
-	BH2128-L0	BH2208-L0	Label	1
-	BH2128-M1		Manual	1

(*) Seal Kit Contents:

Item	Description	Qty.
3a	Filler Plug (for BH2128 only)	1
5	Seal	1
a	Dust Wiper	1
b	O-ring	1
c	O-ring	1
d	Ram Bearing	1
e	Back-up Ring	1

Item	Description	Qty.
f	U-cup	1
g	O-ring	2
h	Packing	1
i	Oil Seal	1
j	O-ring	1
k	Ram Bearing (for BH2208)	1
l	O-ring (for BH2208)	1

Replacement Parts Illustration and Parts List for Model BH2308



Item	Part# for BH2308	Description	Qty.
1	B300-10003-000	Saddle	1
2	5308-00380-000	Spring	1
3	B300-15000-000	Reservoir	1
4	G62S-03301-000	Filler Screw	1
5	B120-10003-000	Filter	2
6	5905-00054-000	Seal	1
7	BT02-17100-000	Release Valve	1
8	G100-44000-000	Hyd. Cartridge	1
9	A27010-0001	Air Motor	1
10	A27010-0002	Air Inlet Swivel	1
11	A20060-0005	Hose Assy.	1
12	A20060-0006	Air Hose	1
13	A20060-0007	Lift Control Valve	1
14	B300-14002-000	Washer	1
15	B300-14001-000	Pump Cylinder	1
16	B300-14101-000	Pump Piston	1
17	G150-04500-000	Hyd. Cartridge	1
18	5405-08030-000	Pin	2
19	B300-13000-000	Handle Socket	1
20	5405-02018-000	Snap Pin	2
21	B300-17000-000	Handle Assembly	1
22	A27010-0011	Air Coupler, Female	1
23	A20060-0016	Air Coupler, Male	1
24	A270-01100-0000	Piston, Air Motor	1
*	B3000S-034	Seal Kit	-
-	A27010-0000	Seal Kit, Air Motor	-
-	BH2308-L0	Label	1
-	BH2128-M1	Manual	1

(*) Seal Kit Contents:

Item	Description	Qty.
2	Spring	1
6	Seal	1
a	O-ring	1
b	O-ring	1
c	Packing	1
d	Back-up Ring	1
e	U-cup	1
f	Back-up Ring	1
g	O-ring	1
h	Seal	1
i	U-cup	1
j	Back-up Ring	1
k	Back-up Ring	1
l	O-ring	1

Figure 4 - Model BH2308 Replacement Parts Illustration