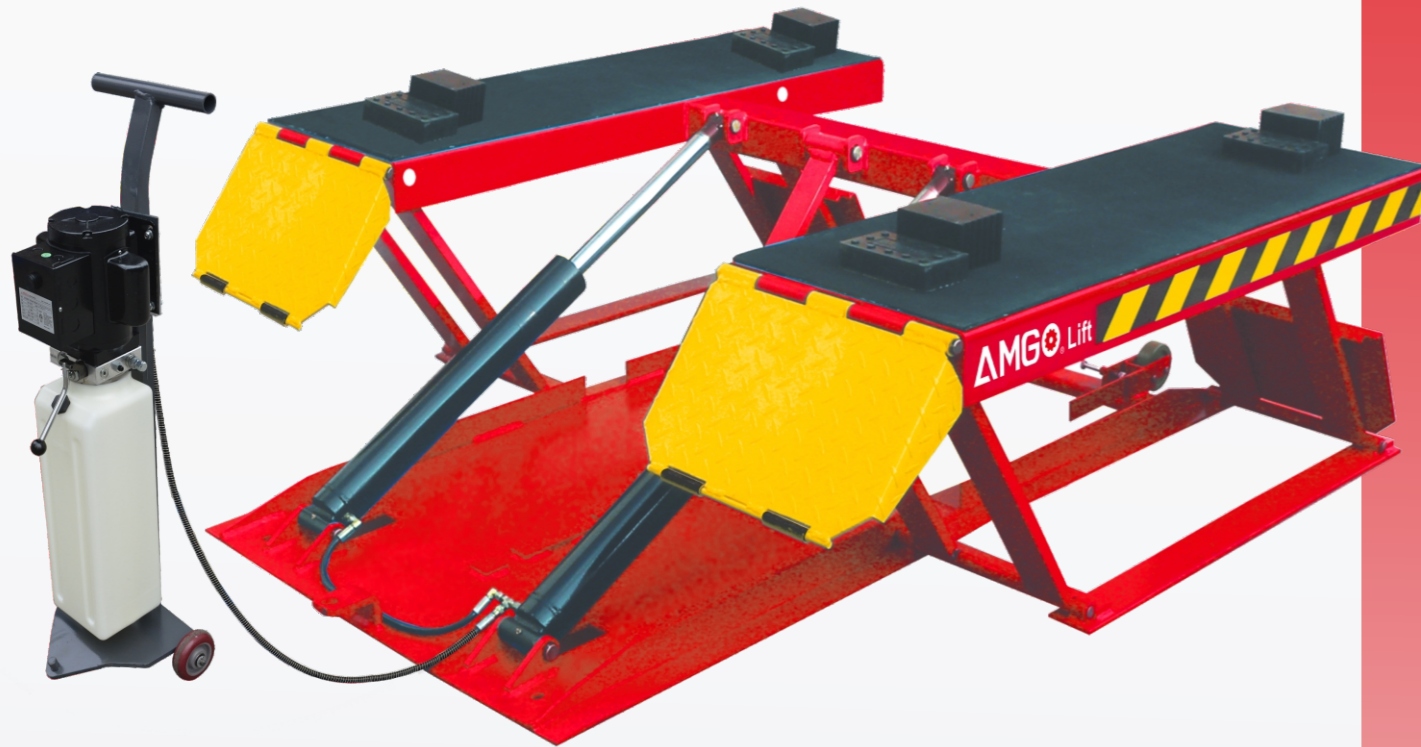


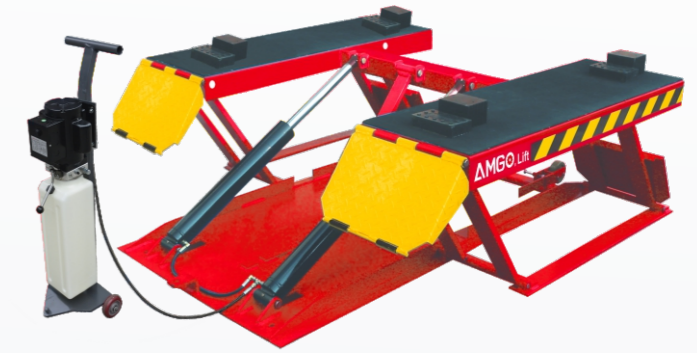
LOW-RISED PORTABLE LIFT

The Portable low-rised lift is an excellent choice for low ceiling or adding a bay for seasonal increases in business. Provides good working height for tires, brakes and body repairs.



Main Features

- ✓ Automatic multiful safety locksd.
- ✓ Automatical safety lock release
- ✓ Portable unit is easy to move with the power unit stand
- ✓ High speed: From 0-600 mm(23-5/8") in just 50 seconds
- ✓ Standard rubber pads included.

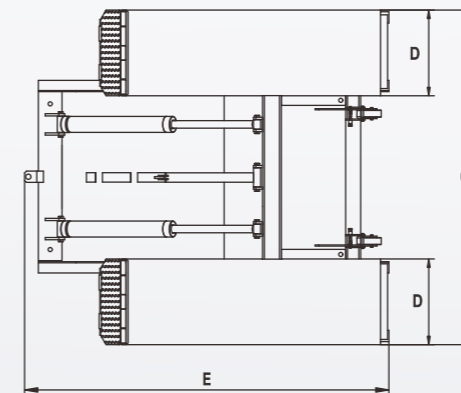
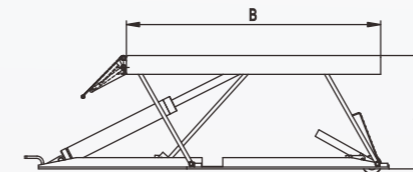


Both 1 1/2" and 3" height Rubber Pads



Extend the platform to 66".

SPECIFICATIONS



Model	LR10
Lifting Capacity	10,000lbs (4500kg)
Lifting Time	50S
Lifting Height	A1 23 5/8" (600mm)
Minimum Height	A2 4 1/8" (105mm)
Runway Length	B 53 1/4" (1352mm)
Overall Width	C 70" (1780mm)
Runway Width	D 18" (456mm)
Overall Length	E 76 1/4"(1938mm)
Gross Weight	1,005 lbs (456kg)
Motor	2.0HP,220V/60Hz,single phase

AMGO HYDRAULIC CORPORATION

1931 Joe Rogers Jr Blvd, Manning, SC 29102, USA
Tel:(803)505-6410 www.amgohyd.com