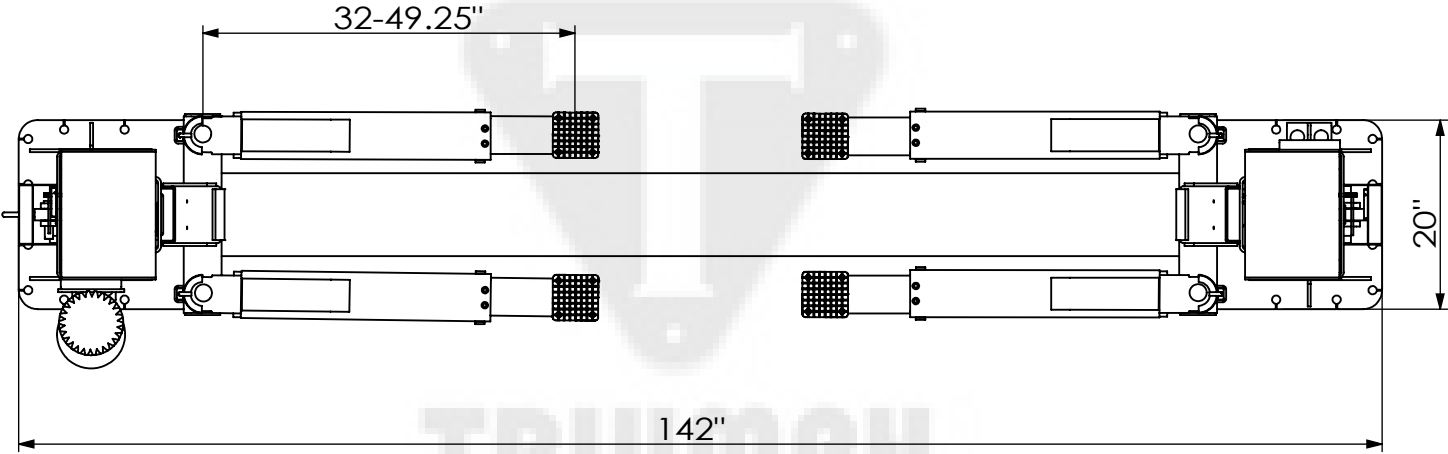
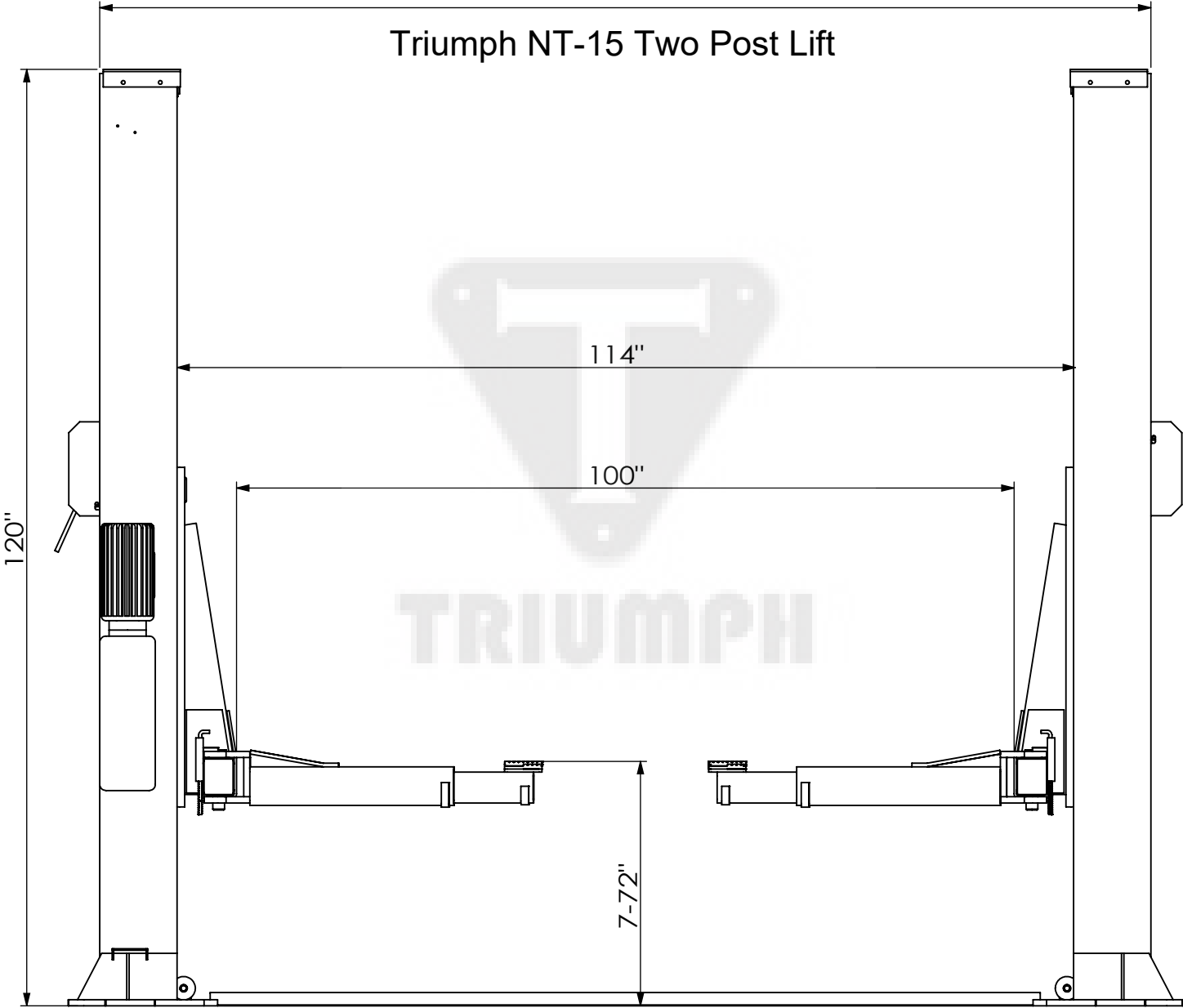


Triumph NT-15 Two Post Lift



Do not drill holes in your floor based on this diagram. Always assemble your lift columns and baseplate, then drill holes using the actual holes in the bases as guides. Specifications are subject to change without notice.