

# SUPPLEMENTAL CRADLE SETTING RECOMMENDATIONS

FOR THE *CONDOR*® PIT-STOP (PS-1500), TRAILER ONLY MODEL (SC-2000) & CYCLE LOADER (CL-1000)

## STOP! WARNING: READ THIS FIRST!

First Read and Understand the Instruction manual and product labels for important safety, set-up and Troubleshooting information. If you have questions while setting up or using the *CONDOR*® Pit-Stop, please check the FAQ in the support section at [www.condor-lift.com](http://www.condor-lift.com). You can also contact customer service at 1-800-461-1344 or contact us via e-mail through the support section at [www.condor-lift.com](http://www.condor-lift.com). *CONDOR*® Motorcycle products are not intended for use by children.

**Cradle Setting Instructions:** The guidelines provided in the chart below are recommendations only for a starting point to determine your optimum setting. Cradle settings may differ due to tire manufacturing variations such as tire lot differences, tire circumference variations between lots of same and different brand tires, and various tire and rim combinations.

Due to these variations, the Standard Cradle Setting Parameters will supersede all guidelines provided.

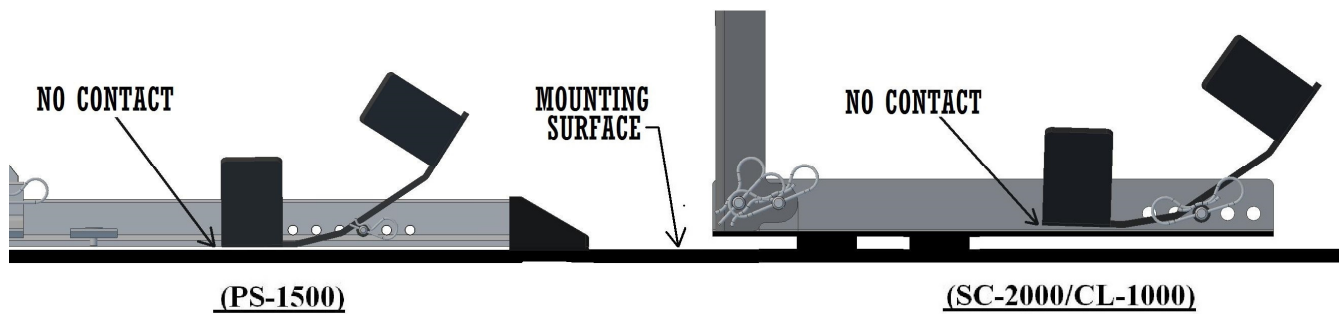
## Standard Cradle Setting Parameters:

The *CONDOR*® Cradle Mechanism is designed so that for every tire/wheel size within the ranges specified a minimum of 2 cradle settings are suitable.

The 2<sup>nd</sup> optimum setting would be the setting forward from the optimum setting which is away from the entry directions of the unit. If less retention is desired at any time due to too much sticking, the 2<sup>nd</sup> optimum setting may be more suitable. Racing tire settings for GP or low durometer tire compounds would be the 5<sup>th</sup> and 6<sup>th</sup> (PS-1500). This allows for the least amount of sticking when using the PS-1500 free standing.

For bikes with very low fenders and or cowlings, a custom cradle may be purchased fitted to a specific tire size, so as not to make contact.

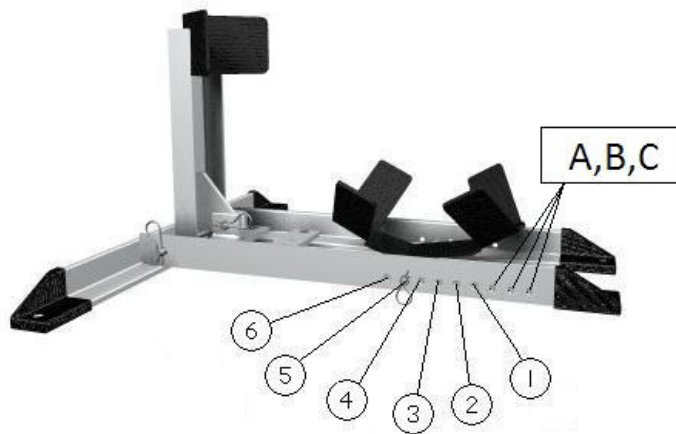
**Cradle Setting Guidelines:** Due to the numerous tire wheel combinations available, these guidelines will provide in a general manner the placements of the most common sizes seen on the market. Standard Cradle Setting Parameters should be followed to customize the setting for your particular vehicle.



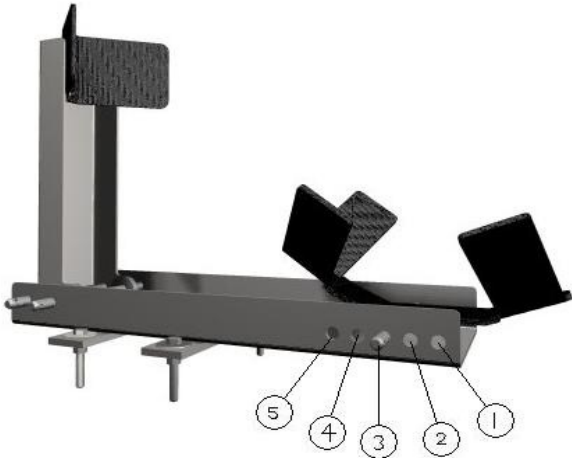
Standard Cradle Setting Parameters:

**\*\*The optimum setting for a specific tire would be the setting that allows the cradle to tilt as far forward as possible without making contact with the unit itself (SC-2000/CL-1000) or the unit's mounting surface, or the ground (PS-1500).\*\***

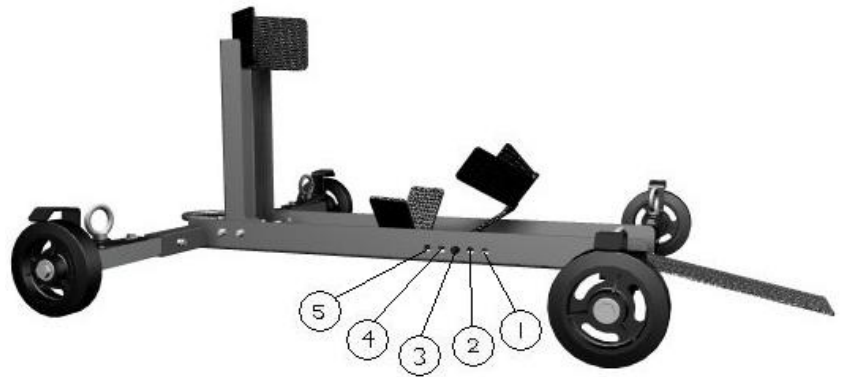
		Width (mm)	Aspect Ratio		Rim Size			
		Tire Width (mm)						
		80,90	100,110	120	130	140	150	150+
Rim Size (in)	16	4,5	4,5	4	2,3	4	3	1
	17	4,5	4,5	3,4,5	2,3	1,2	1,2	1
	18	3,4	2,3	3	2,3	2	2	1
	19	2	2,3	2	2,3	2	2	1
	21	1,2	1,2	1,2	1	1	1	1
	21+	A,B,C	A,B,C	A,B,C	A,B,C	A,B,C	A,B,C	A,B,C
		Tire Width (in)						
		3.15-3.5	4-4.375	4.75	5.125	5.5	5.875	6+



**Pit-Stop (PS-1500) & Chopper Chock (CHCK-1500) Side View & Hole Placement Illustration**



**Trailer Only Model (SC-2000)**



**Cycle Loader (CL-1000)**

**Caution:**

Always make sure that all fasteners are tight and all pins are in place prior to use. Understand the limitations of this product and do not exceed these limitations. Technical Components Development & Design is not responsible for any damage incurred by exceeding this product's limitations in structure and/or functionality.

**One Year Limited Warranty:**

This **CONDOR**® Pit-Stop product warranty extends to the original consumer purchaser of the product. All illustrations and specifications contained in this manual are based on the latest product information available at the time of printing. Technical Components Development & Design, Inc. reserves the right to make changes at any time, without notice, in color, materials, equipment, options, specifications and models. Models may be shown with optional equipment. Further information may be obtained by contacting Technical Components Development & Design, Inc. @ #815-754-7418.

**Warranty Duration:**

This product is warranted to the original consumer purchase for a period of one (1) year from original purchase date.

**What is not covered:**

Our warranty for your product will not cover abnormal wear of parts, damage resulting from negligent use or misuse of the product, use contrary to operating instructions, or disassembly, repair, or alteration by any person other than an authorized service station. We shall not be liable for any incidental or consequential damages for breach of by express or implied warranty on your product.

**How your state's law may apply:**

Some states do not allow limitations on how long any implied warranty lasts or the exclusion or limitation of incidental or consequential damages. So the above limitation may not apply to you. This warranty gives you specific legal rights, and you may also have other rights, which may vary from state to state.

Thank you for purchasing **CONDOR**® Products.

**CONDOR**® Products are protected under US Pat. Nos. RE 42,971, 6.648.300, 6.935.619.

**CONDOR**® is a trademark of Technical Components Development & Design, Inc.

**Technical Components Development & Design, Inc**

210 W. Stephenie Drive

Cortland, IL 60112

Phone: 815-754-7418

Fax: 815-754-7419