

ALI CERTIFIED



* Optional 2-foot height extension kit sold separately.

PROFESSIONAL GRADE LIFTING

Engineered for professional automotive shops, this 10,000 lb capacity 2-post overhead lift features dual direct-drive cylinders and a versatile 3-stage arm design. **Proudly ALI Certified** to guarantee maximum safety, performance, and reliability.

IDEAL FOR:

- ✓ Commercial Auto Repair Shops
- ✓ Dealership Service Centers
- ✓ Heavy-Duty Fleet Maintenance

SYSTEM FEATURES

Advanced Safety Systems

Equipped with automatic safety locks featuring a single-point lock release system and automatic arm restraints for secure lifting.

Dual Direct Drive Hydraulics

Powered by robust dual direct-drive hydraulic cylinders, ensuring smooth, reliable, and powerful lifting performance every time.

Versatile Arm Design

- ↔ Compact three-stage front and rear arm design allows for both asymmetric and symmetric lifting, accommodating a wide range of vehicles.

Comprehensive Accessories

- Includes two-stage drop-in pads and a complete set of height extensions (1.5", 3" & 6") to reach specialized lifting points.

ALI CERTIFIED

Matte Powder Coat Finish

144.5" Overall Height

10,000 lbs Lifting Capacity

3 Adjustable Width Settings

1 Year Warranty

\$HOP TOOLS
outlet

HONEST PEOPLE.
HARDWORKING VALUES.

We're a small business from Iowa, and we believe the way we treat customers matters. When you call, you'll talk to a real person who knows equipment and wants to help.

No runaround. No games. Just straight answers.



REAL INVENTORY.
NO GAMES.



MIDWEST-BASED SUPPORT
THAT ACTUALLY ANSWERS
THE PHONE.



FAST SHIPPING
& LOCAL PICKUP
OPTIONS.



STRAIGHT ANSWERS
FROM PEOPLE WHO
KNOW THE EQUIPMENT.



FROM A SMALL BUSINESS WITH IOWA VALUES
WE TREAT YOU BETTER THAN MOM.

Thank you for supporting our family, our team, and a whole lot of hard work. We don't take that for granted.

- The STO Team



SPECIFICATIONS

BR10-20H-33 | 10,000 LBS 2-POST OVERHEAD LIFT

ALI CERTIFIED

POWER REQUIREMENTS

240V 3HP 12A 1PH 60Hz

LIFTING CAPACITY

10,000 lbs

GENERAL DIMENSIONS

| | |
|------------------------------------|-----------|
| Overall Height (to floor): | 144.5" |
| Clearance under arm (full height): | 70" |
| Min. pad height (down position): | 4" |
| Vehicle clearance between arms: | 113" |
| Post Dimensions: | 7" x 12" |
| Post Base Dimensions: | 18" x 18" |

3 ADJUSTABLE WIDTH SETTINGS

| Setting | Overall | Inside Cols. | Drive-Thru |
|---------|---------|--------------|------------|
| Narrow | 140.43" | 111.42" | 88.15" |
| Medium | 146.34" | 117.32" | 94.06" |
| Wide | 152.24" | 123.23" | 99.96" |

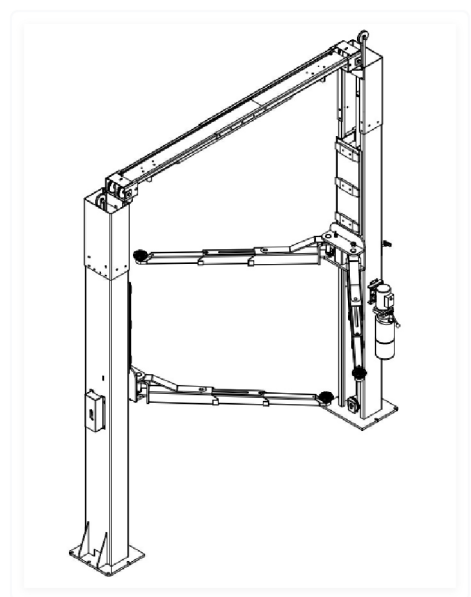
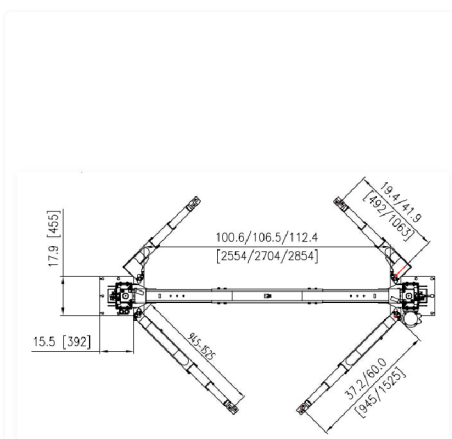
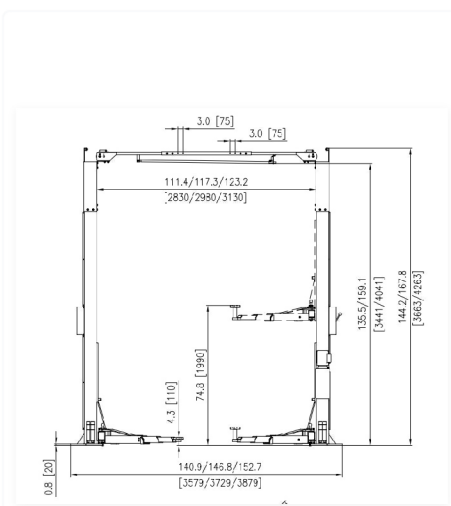
SHIPPING INFORMATION

Main Lift: 142" x 23" x 44" | 2,010 lbs

(Pump attached to lift. Included in dimensions)

Optional Height Kit: 31" x 18" x 17" | 180 lbs

EQUIPMENT PROFILE & CLEARANCES



SAFETY COVER WITH HANDLES REQUIRES 9" OF SPACE TO OPERATE. DIMENSIONS AND ITEMS ARE SUBJECT TO CHANGE.

