

1 2 3 4 5 6

A

B

C

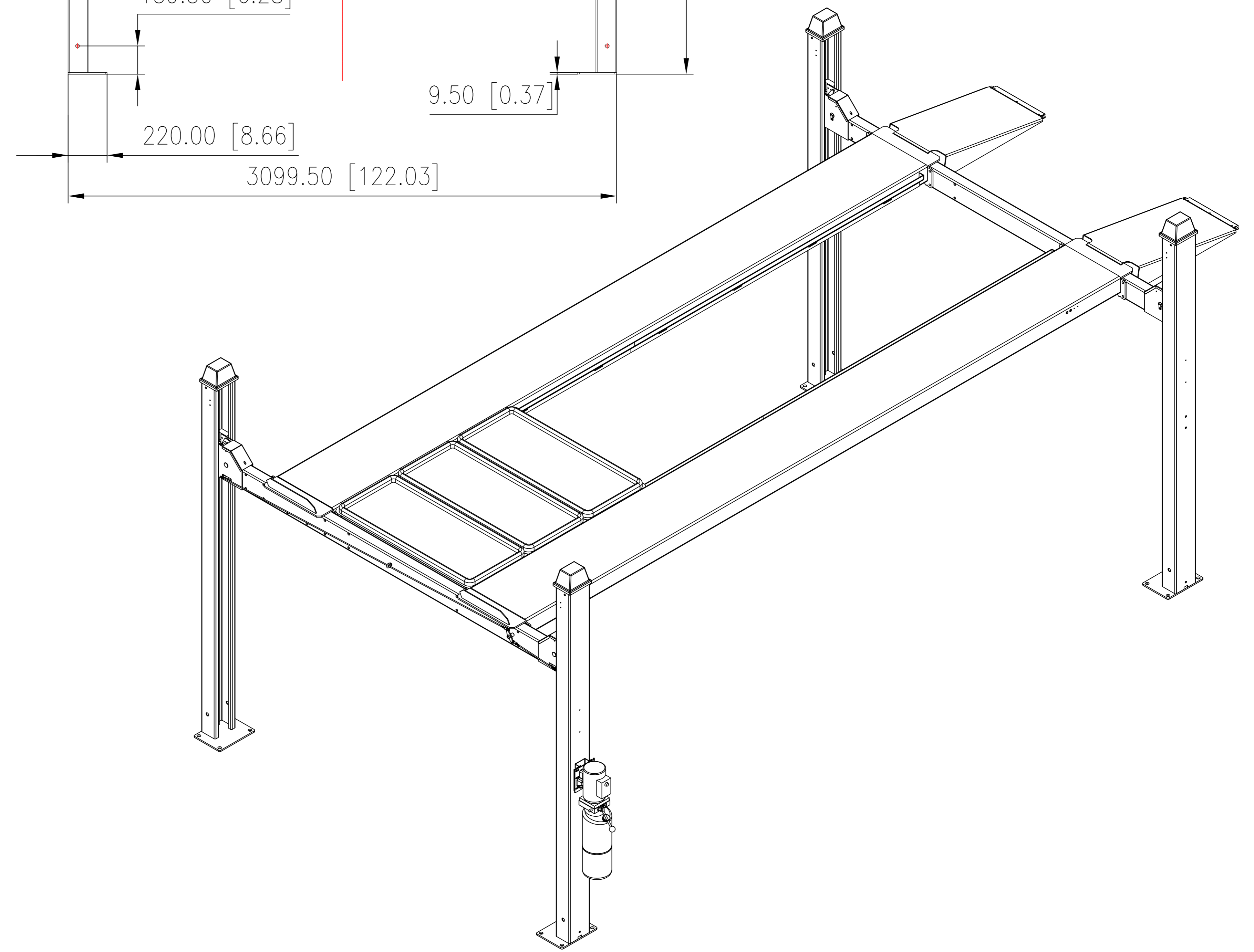
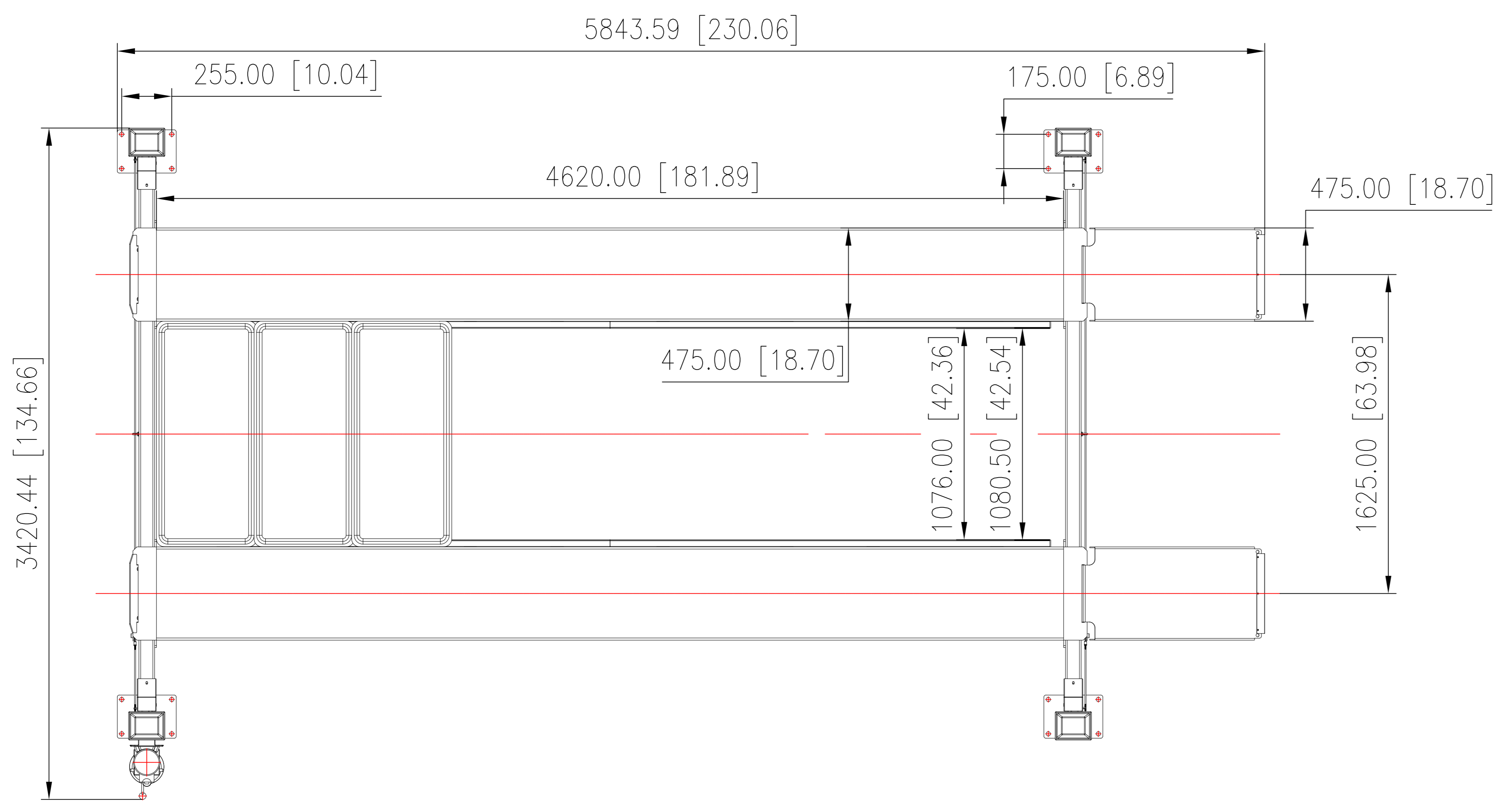
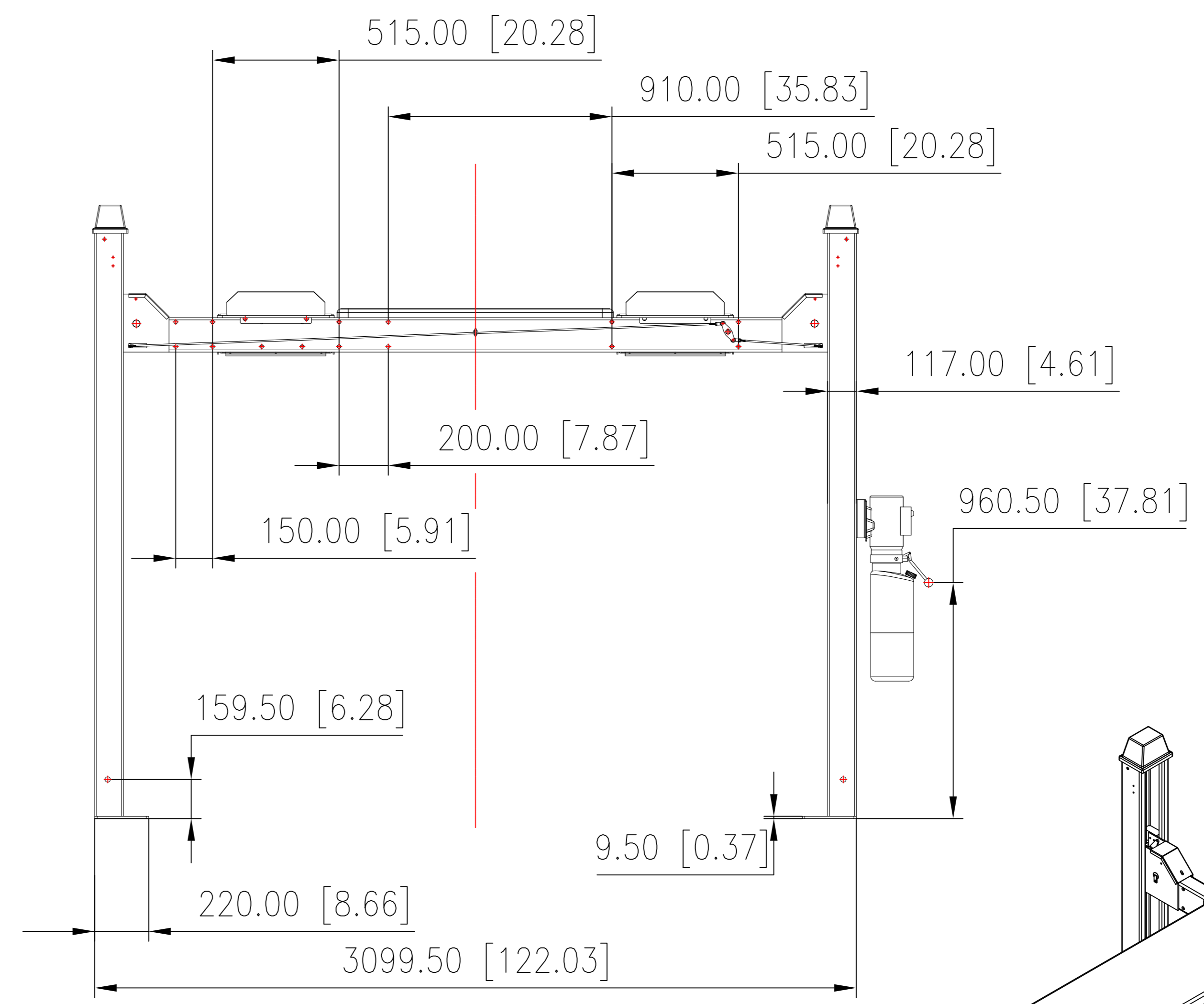
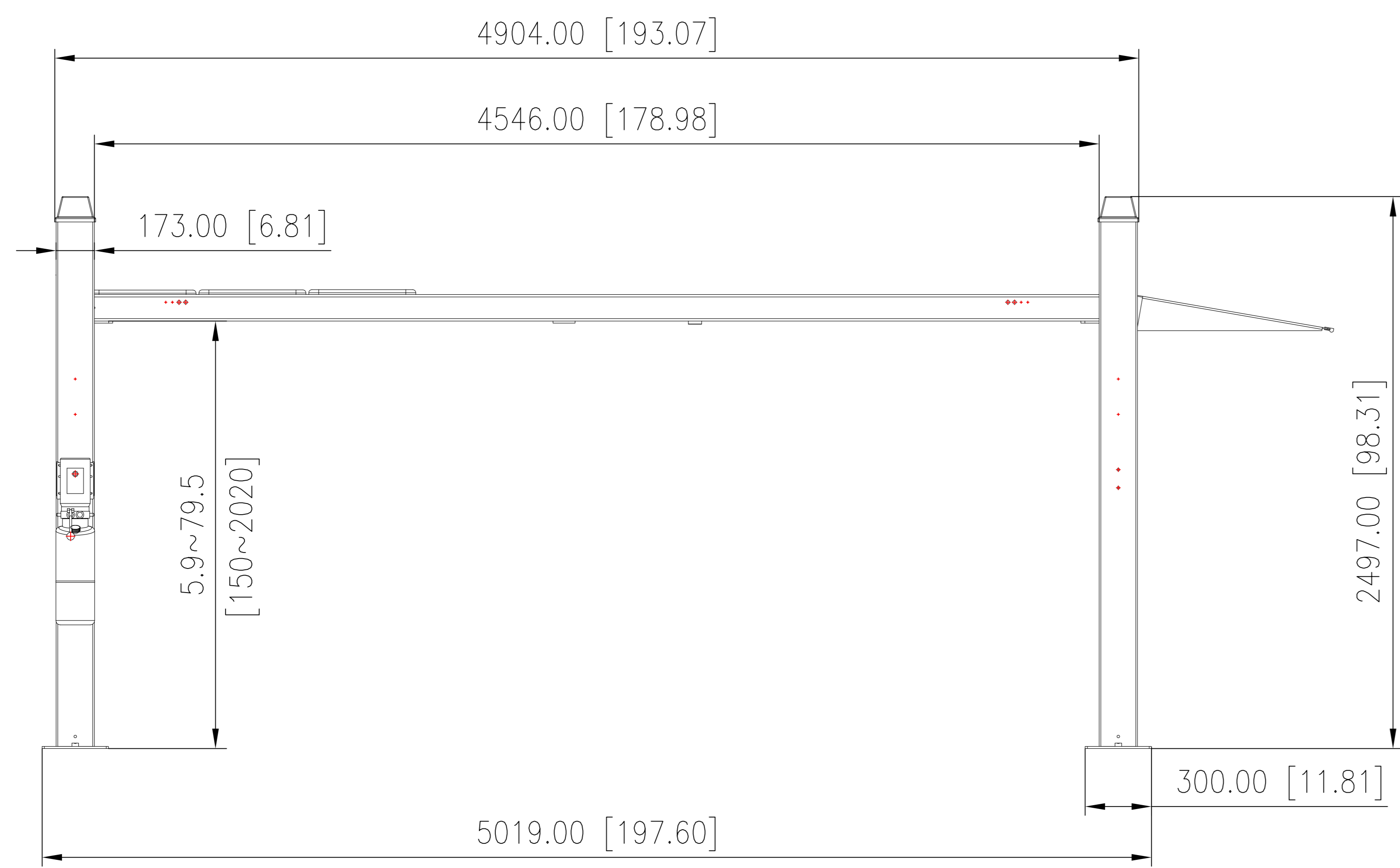
D

A

B

C

D



APPROVED FOR PRODUCTION
 Certified Engineer: *Ruging Li*
 Cert. No. : B093201001233320001
 Date: 18.10.2025

LFPP10
 10,0001bs FOUR-POST PARKING LIFT ALUMINUM RAMPS

Daytona
 AUTOMOTIVE EQUIPMENT

1 2 3 4 5 6